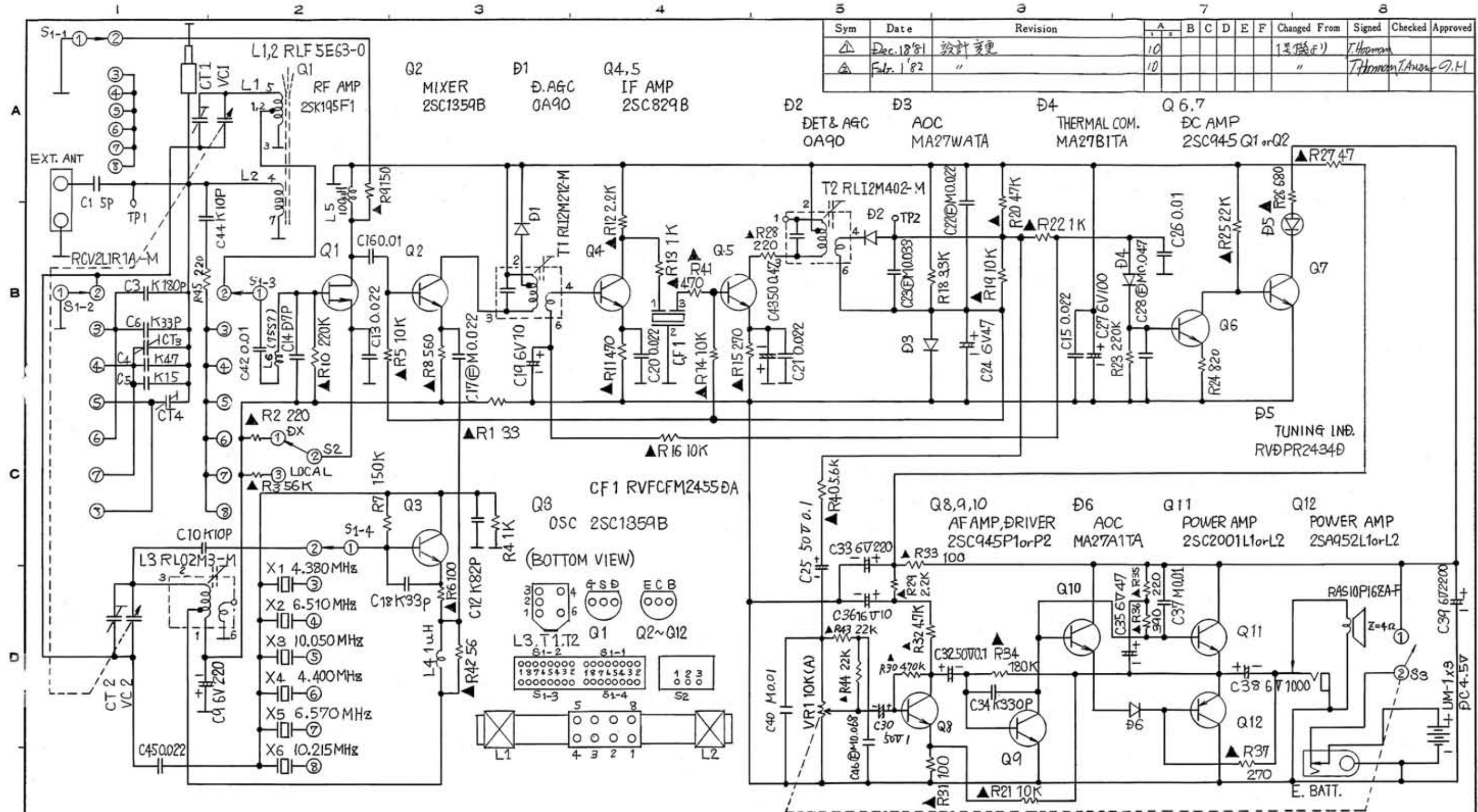
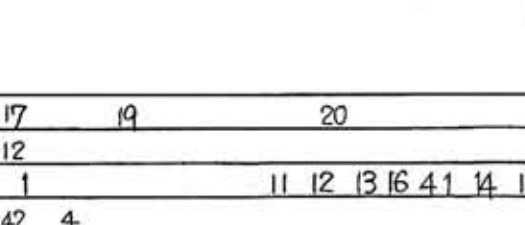
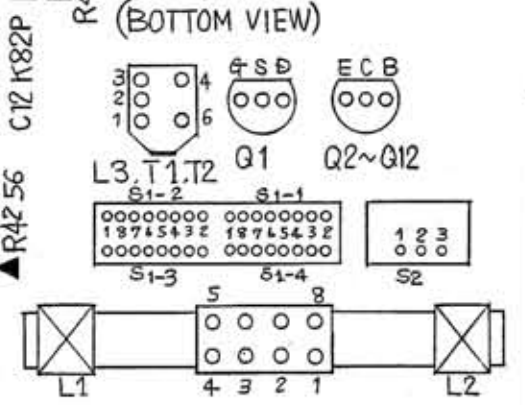


Sym	Date	Revision	A	B	C	D	E	F	Changed From	Signed	Checked	Approved
△	Dec. 18 '81	設計変更	10						15 (F)	T. Horman		
△	Feb. 1 '82	"	10						"	T. Horman, A. Anon, J. H.		



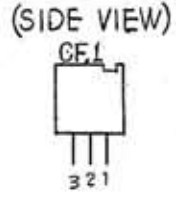
CF 1 RVFCFM2435DA  
OSC 2SC1359B  
(BOTTOM VIEW)



C	1	3	6	4	5	44	42	16	13	17	19	20	43	21	22	23	24	27	28	26								
R			45	10	9			12					40	25	43	30	33	36	31	32	34	35	37	38	39			
			45	3	10	2	9	5	8	1		11	12	13	16	41	14	15	28	18	19	20	22	23	24	25	26	27
						7		6	42	4			40	43	44	30	29	33	32	31	21	34		35	36		37	

RESISTORS  
NO MARK CARBON FILM RESISTOR  
▲ MARK PRINTED RESISTOR  
TOLERANCE J=±5% (NO MARK)  
UNITS NO MARK UNIT IS Ω, K IS KΩ  
CAPACITORS  
NO MARK CERAMIC CAPACITOR  
Ⓢ MARK SEMICONDUCTIVE CAPASITOR  
TOLERANCE C=±0.25PF. D=±0.5PF K=±10% M=±20% Z=±30% (NO MARK) UNITS NO MARK UNIT IS μF, P IS μuF

S1 BAND SELECTOR SW NOW POSITION IS MW  
S2 AM SENS SELECTOR SW NOW POSITION IS DX  
S3 POWER SW NOW POSITION IS OFF



Sym	Item or Code No.	Material & Size	qt	Process				
RD	Q	M	EX	P	C	A		
Scale	Designed	Drawn	Traced	Checked	Approved	Model	R-U7-(N)	
	T. Horman	T. Horman	T. Horman	T. Anon		Parts No.	SCHEMATIC DIAGRAM	
	Sep. 17 '81	Sep. 17 '81	Sep. 17 '81			Name		