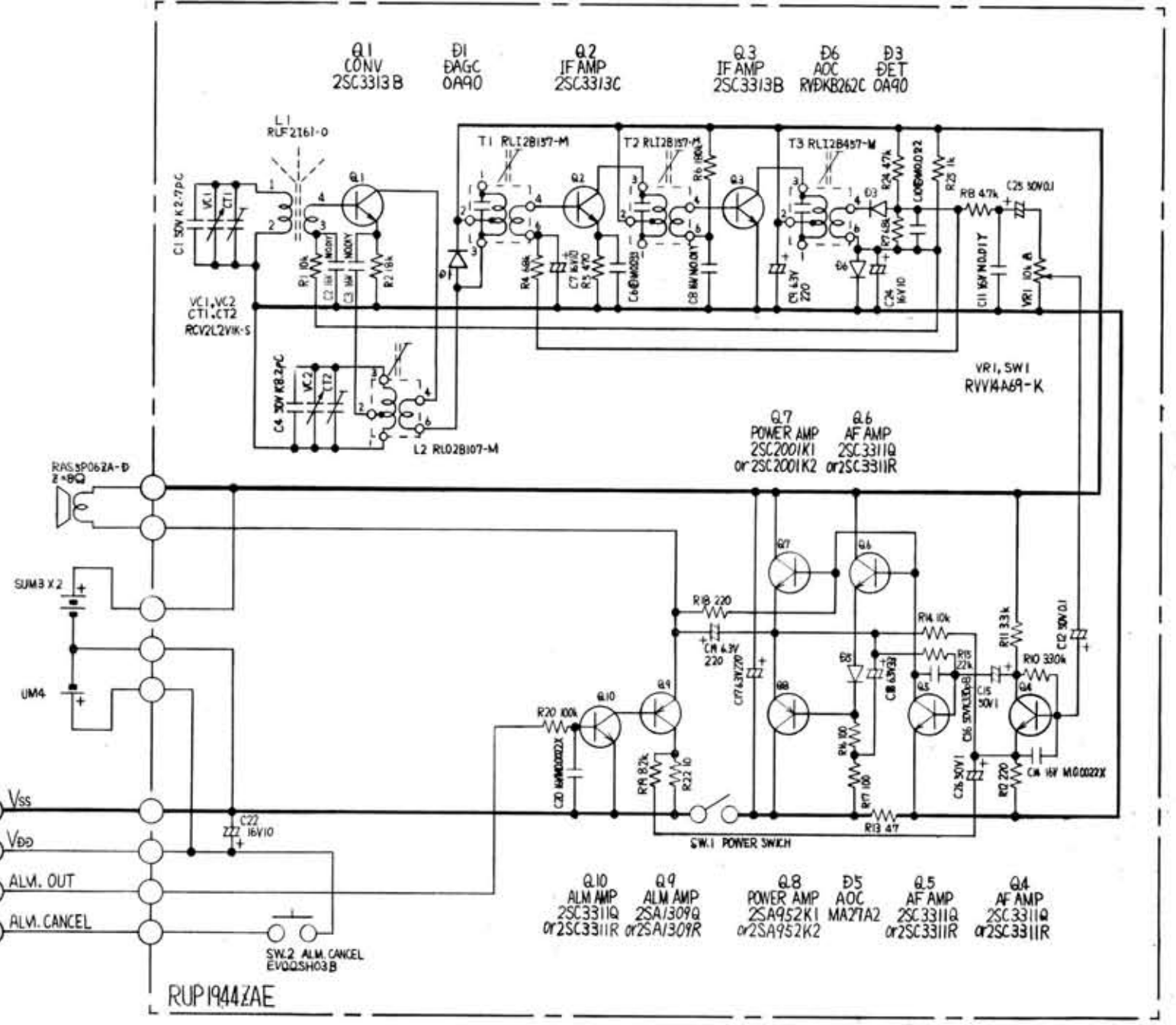
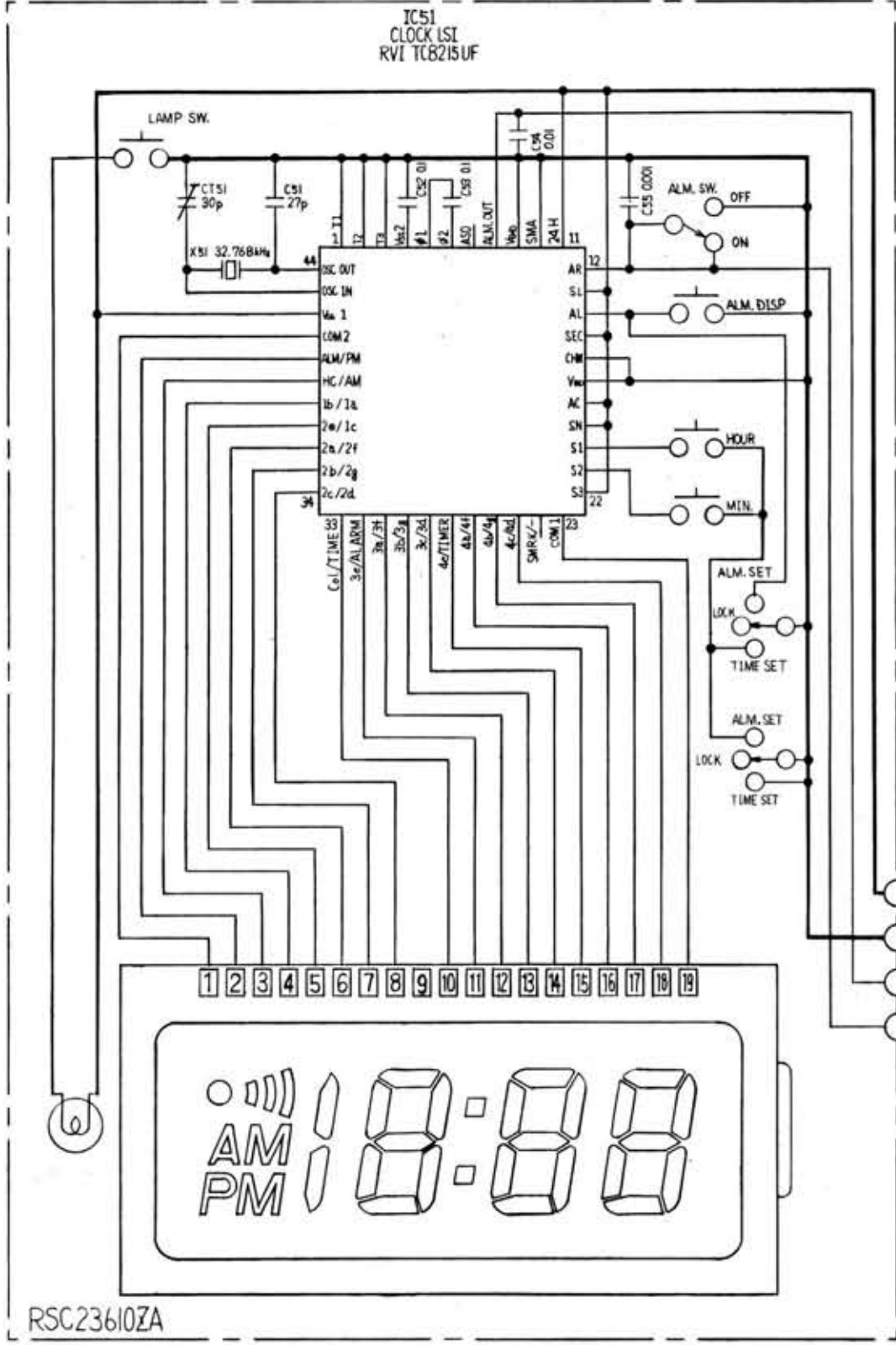


| Sym | Date | Revision | A | B | C | D | E | F | Changed From | Signed | Checked | Approved |
|-----|------|----------|---|---|---|---|---|---|--------------|--------|---------|----------|
| | | | | | | | | | | | | |

| | | | | | | | | | | | | | | | | | | | | | | | |
|---|----|----|----|----|----|---|----|----|----|---|----|---|---|---|----|---|----|----|----|----|----|----|----|
| C | 51 | 52 | 53 | 54 | 55 | 5 | 13 | 21 | 23 | 1 | 22 | 4 | 2 | 3 | 7 | 6 | 8 | 9 | 24 | 10 | 11 | 25 | |
| R | | | | | | 3 | 9 | 21 | 23 | | | 1 | 2 | | 4 | 5 | 6 | 17 | 18 | 16 | 15 | 14 | 12 |
| | | | | | | | | | | | | | | | 20 | | 19 | 22 | 18 | 17 | 13 | 8 | 10 |



| Sym | Item or Code No. | Material & Size | qt | Process |
|-----|------------------|-----------------|----|---------|
| Q1 | Q1 | | | |
| D1 | D1 | | | |
| Q2 | Q2 | | | |
| Q3 | Q3 | | | |
| D6 | D6 | | | |
| D3 | D3 | | | |
| Q7 | Q7 | | | |
| Q6 | Q6 | | | |
| Q10 | Q10 | | | |
| Q9 | Q9 | | | |
| Q8 | Q8 | | | |
| D5 | D5 | | | |
| Q5 | Q5 | | | |
| Q4 | Q4 | | | |

| | |
|-----------|-------------------|
| Model | RC-20-J |
| Parts No. | |
| Name | SCHEMATIC DIAGRAM |