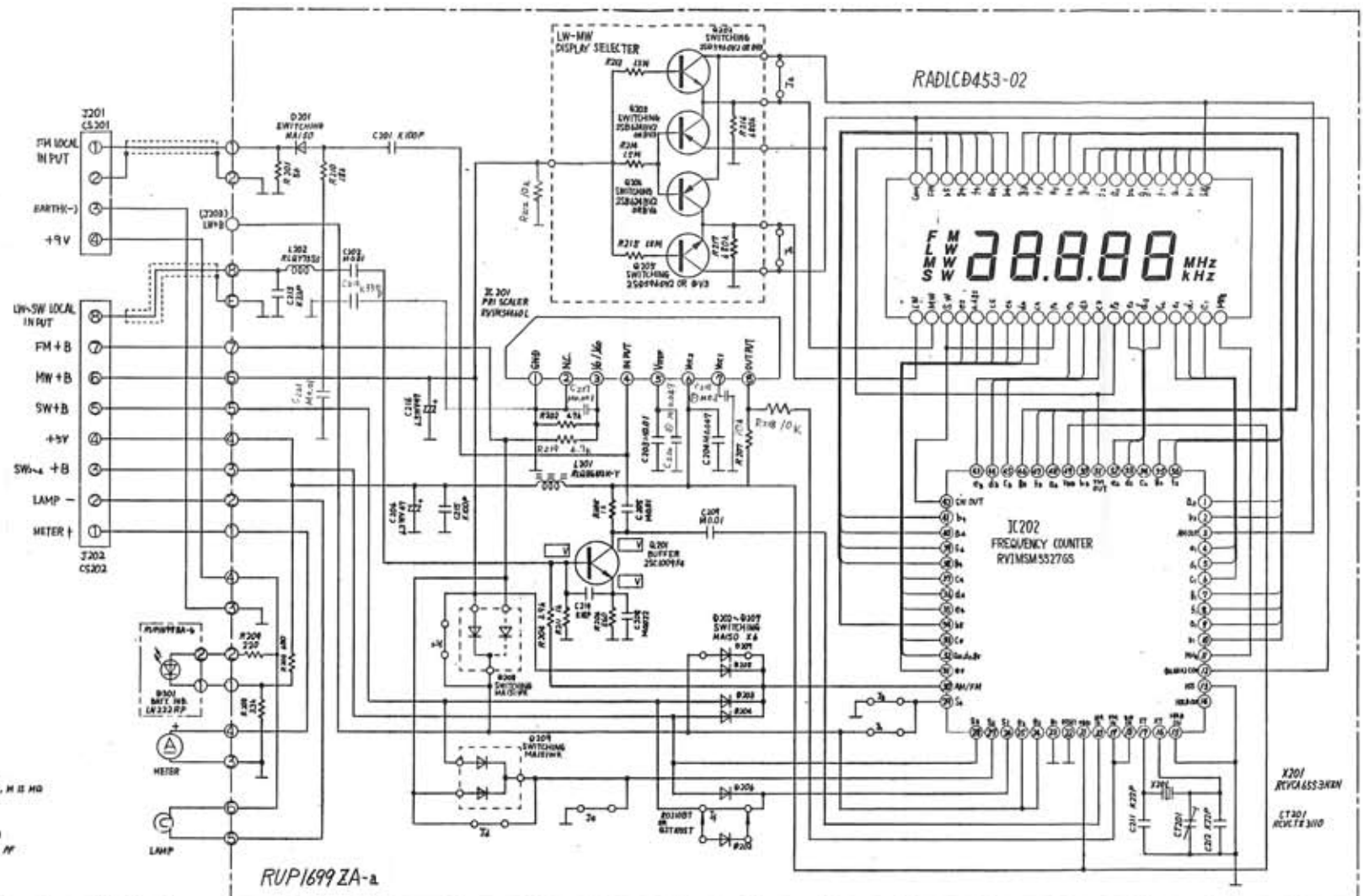


Rev	Date	Revision	A	B	C	D	E	F	Chg'd From	Signal	Checked	Approved

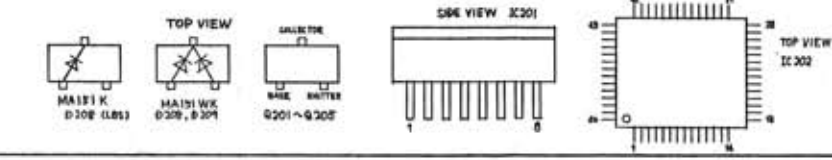


RESISTORS
TOLERANCE: 1 NO MARK IS X (10%)
UNIT: 1 NO UNIT IS Ω, 1 IS 10, M IS MΩ

CAPACITORS
TOLERANCE: 1 NO MARK IS ±10%
UNIT: 1 NO UNIT IS μF, P IS PPF

	1/2 OR 1/200	1/4 OR 1/20	1/8 OR 1/200	1/10	1/20	1/50	1/100	1/200	1/500	1/1000	1/2000	1/5000	1/10000
M	MA151WK	1/4	1/8	OPEN	1/20	1/50	1/100	1/200	1/500	1/1000	1/2000	1/5000	1/10000
N	MA151WK	1/4	1/8	OPEN	1/20	1/50	1/100	1/200	1/500	1/1000	1/2000	1/5000	1/10000
B X	1/2	1/4	1/8	OPEN	1/20	1/50	1/100	1/200	1/500	1/1000	1/2000	1/5000	1/10000
LBS XG	MA151K	1/4	1/8	MA150	1/20	1/50	1/100	1/200	1/500	1/1000	1/2000	1/5000	1/10000
LBS XE	MA151K	MA151WK	MA150	MA150	1/20	1/50	1/100	1/200	1/500	1/1000	1/2000	1/5000	1/10000

C	208	202	201	216	207	208	209	204	210	211	212
R	201	210	202	208	214	208	209	204	207	201	207
	208	203	204	211	204	211	204	211	207	201	207



Qty	Item or Code No.	Material & Size	at	Process
1	IC202	RV1MSM5527GS	1	RF-B300
1	MA151K	MA151K	1	FREQUENCY COUNTER
1	MA151WK	MA151WK	1	SCHMATIC DIAGRAM
1	0201	0201	1	