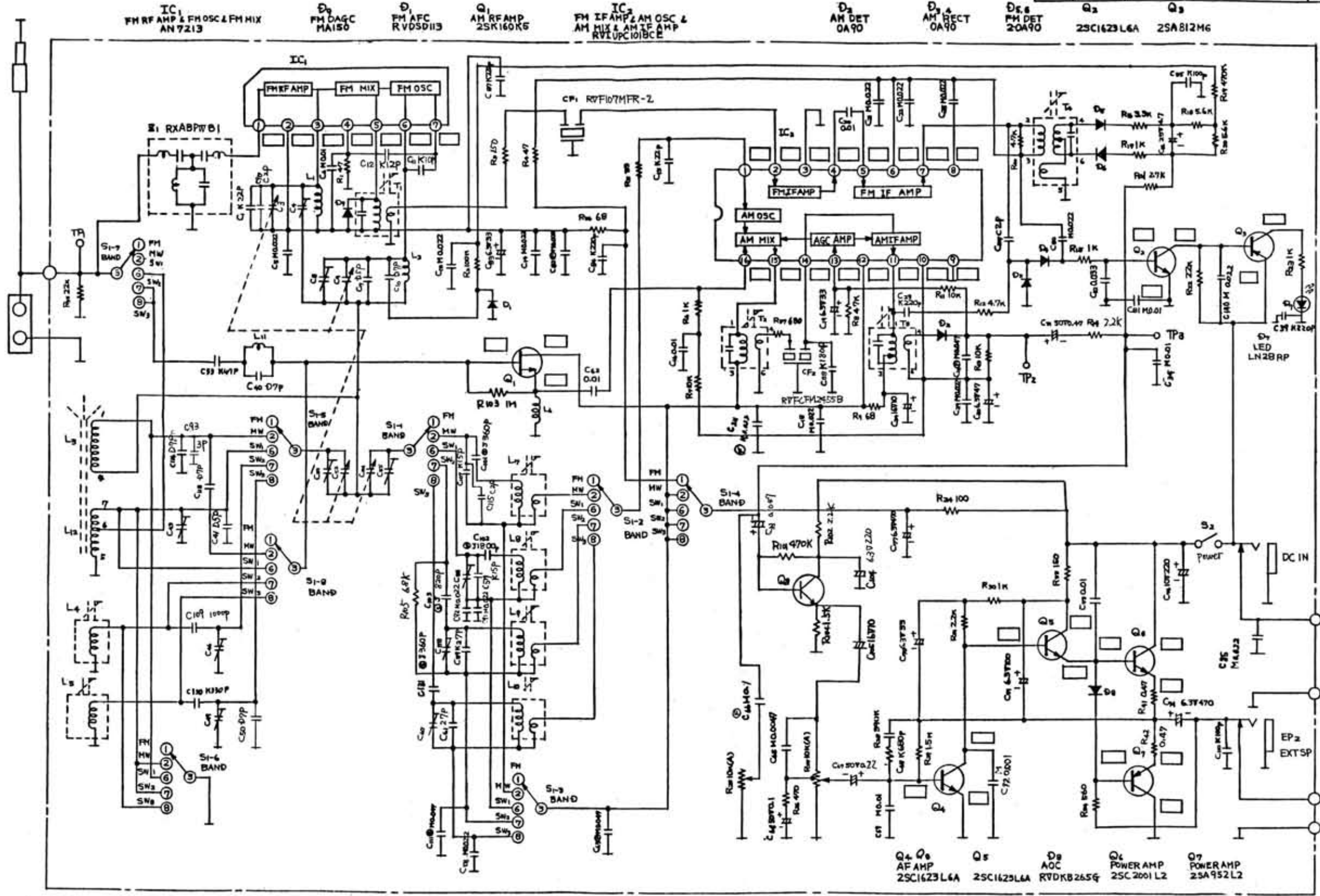
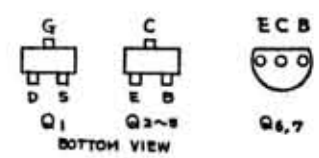
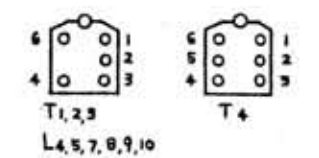
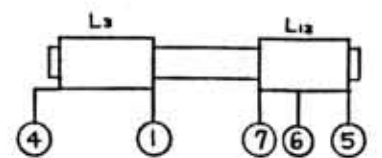


Sym	Date	Revision	A	B	C	D	E	F	Changed From	Signed	Checked	Approved

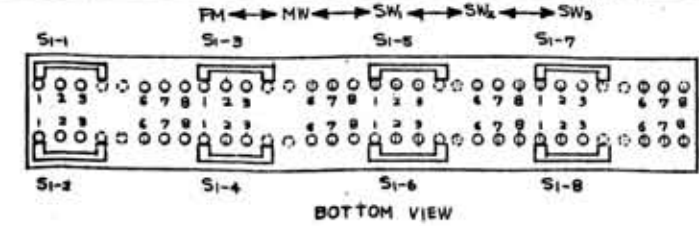


T1	RL14M101-M
T2	RL12M213-K
T3	RL12M409-M
T4	RL14M509
L1	RLD4N30-O
L2	RLD4Y45-O
L3, L15	RLF5D17-O
L4	RL03M33-K
L5	RLA3M9
L6	RLQ3102-1-Q
L7	RL02M14-M
L8	RL03M41-K
L9	RL03M68-K
L10	RL03M38-K
L11	RLA5055-O



C	83	138	90	1	41	3	5	4	8	6	9	7	10	12	11	13	15	108	87	105	83	14	88	63	84	18	16	211	18	19	11	20	21	24	23	22	25	28	27	30	31	27	32	30	38	31	34	102	35	100	36	100	37	86																							
R	35	107	43	13	14	44	45	47	40	50	81	82	84	85	87	88	89	91	92	93	94	95	96	97	98	99	100	101	102	103	104	105	106	107	108	109	110	111	112	113	114	115	116	117	118	119	120	121	122	123	124	125	126	127	128	129	130	131	132	133	134	135	136	137	138	139	140	141	142	143	144	145	146	147	148	149	150

NOTE  
 S1-1 ~ S1-8 : BAND SELECT SWITCH "FM" POSITION INDICATED  
 S2 : POWER SWITCH OFF POSITION INDICATED  
 ALL CAPACITOR VALUES IN MICRO FARAD (P=10<sup>6</sup>μF)  
 ALL RESISTOR VALUES IN OHM (K=10<sup>3</sup>Ω, M=10<sup>6</sup>Ω)  
 TOLERANCE OF RESISTOR IS ±10% UNLESS OTHERWISE INDICATED  
 TOLERANCE OF CAPACITOR IS ±20% UNLESS OTHERWISE INDICATED  
 TOLERANCE C=±0.25PF, D=±0.5PF, K=±10%, M=±20%



Sym	Item or Code No.	Material & Size	qt	Process		
① ② ③ ④ ⑤ ⑥ ⑦ ⑧ ⑨ ⑩				Model RF-B3-(N)		
Scale	Designed	Drawn	Traced	Checked	Approved	Parts No.
	Y.HASHI/MOTO	Y.HASHI/MOTO	Y.HASHI/MOTO	K.Koima		Name