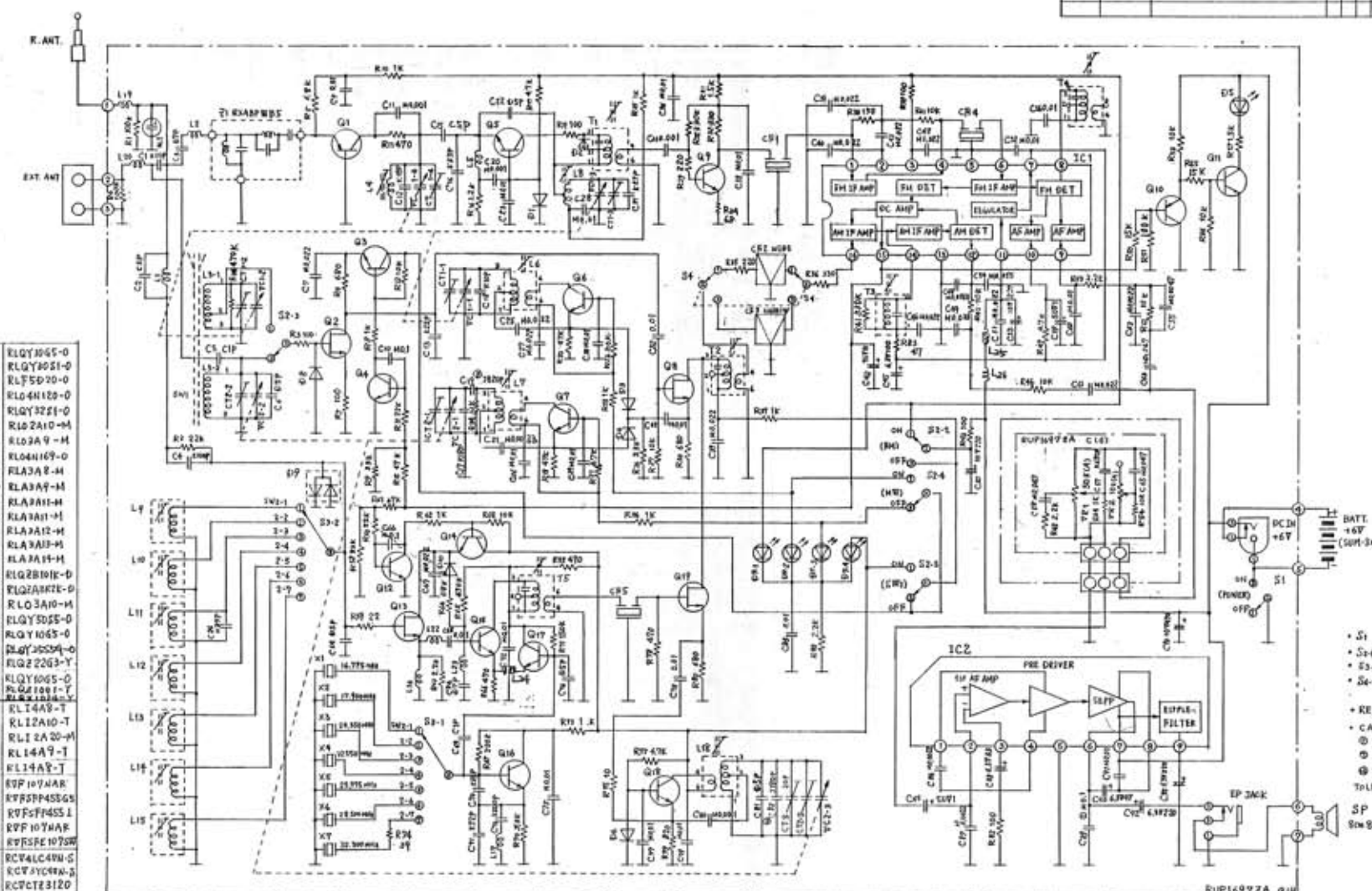


Rev	Date	Revision	A	B	C	D	E	F	Changed From	Signal	Checked	Approved



- L1 RLQY1065-0
- L2 RLQY1051-0
- L3 RL75D20-0
- L4 RLQ4H120-0
- L5 RLQY1221-0
- L6 RL02A10-M
- L7 RL03A9-M
- L8 RL04H109-0
- L9 RL03A8-M
- L10 RL03A7-M
- L11 RL03A6-M
- L12 RL03A5-M
- L13 RL03A2-M
- L14 RL03A3-M
- L15 RL03A4-M
- L16 RLQ2B10K-D
- L17 RLQ2ARK7K-D
- L18 RLO3A10-M
- L19 RLQY1055-0
- L20 RLQY1065-0
- L21 RLQY1064-0
- L22 RLQ222G3-Y
- L23 RLQY1065-0
- L24 RLQ21001-Y
- L25 RLQ21001-Y
- L26 RLQ21001-Y
- T1 RL14A8-T
- T2 RL12A10-T
- T3 RL12A20-M
- T4 RL14A9-T
- T5 RL14A8-T
- CF1 RFP107MAR
- CF2 RFR5P453G5
- CF3 RFP5P4551
- CF4 RFP107MAR
- CF5 RFR5P107SW
- VC1 RCV4LC4RM-S
- VC2 RCV4Y04RM-S
- CT3 RCVCT212D

IC1	FM/AM IF-49E1	KV18A4220A
IC2	AF POWER AMP	KV18A4140

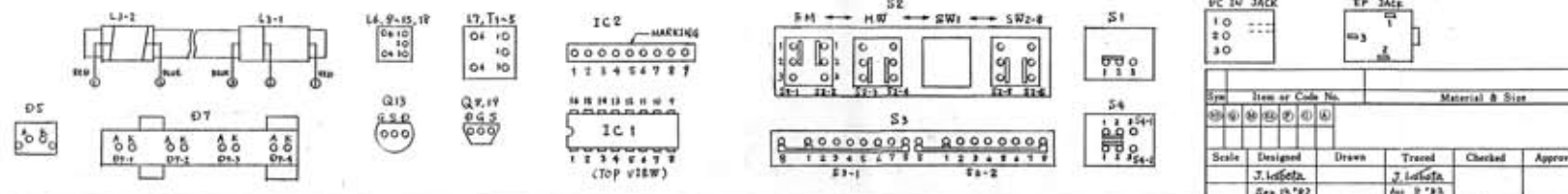
Q1	FM IF AMP	2SA1022C
Q2	MW/SW RFAMP	2SK160K5
Q3	MW/SW AGC	2SC1623LSA
Q4	FM CONV.	2SC2275B
Q5	MW OSC.	2SC1009F4
Q7	SW OSC.	2SC1009F4
Q8	MW/SW MIX.	2SK184Y
Q9	FM IF AMP	2SC1609F4
Q10	PC AMP	2SA812MS
Q11	PC AMR	2SC1623LSA
Q12	SW2 AGC	2SC1623LSA
Q13	SW2 RFAMP	2SK104P
Q14	SW2 AGC	2SC1623LSA
Q15	SW2 15K MIX	2SC2295B
Q16	SW2 15K OSC	2SC2295B
Q17	SW2 BUFFER	2SC1009F4
Q18	SW2 2nd OSC	2SC2295B
Q19	SW2 2nd MIX	2SK184Y

D1	FM AGC	EV9K8265E
D2	FM P-AGC	MA15D
D3	SWITCHING	EV915553
D4	SWITCHING	RVD15553
D5	TUNING IND	LN224RPH
D6	SW2 AGC	EV9K8265E
D7	BAND IND.	LN142157PH
D8	PROTECTOR	MA15D
D9	PROTECTOR	MA153
D10	SW2-4 DAGC	RVDK9265Q

- S1 : POWER ON/OFF SWITCH (ON/OFF)
- S2-1, S2-2 : BAND SELECT SWITCH (40W "FM", 50W "SW")
- S2-3, S2-4 : SW2-B BAND SWITCH (50W "SW", 40W "FM")
- S2-1, S2-2 : AM BAND WIDTH SWITCH (NAR "WIDE")

- RESISTOR : TOLERANCE --- NO MARK = ±(±5%)
- CAPACITOR :
 - ⊙ MARK : POLYPROPYLENE CAPACITOR
 - ⊙ MARK : T5 CAPACITOR
 - ⊙ MARK : MICA CAPACITOR
- TOLERANCE --- NO MARK = ±(+90, -20%)

C	123 4 5 6 7 8 9 10 11 12 13 14 15 16 17 18 19 20 21 22 23 24 25 26 27 28 29 30 31 32 33 34 35 36 37 38 39 40 41 42 43 44 45 46 47 48 49 50 51 52 53 54 55 56 57 58 59 60 61 62 63 64 65 66 67 68 69 70 71 72 73 74 75 76 77 78 79 80 81 82 83 84 85 86 87 88 89 90 91 92 93 94 95 96 97 98 99 100
R	1 2 3 4 5 6 7 8 9 10 11 12 13 14 15 16 17 18 19 20 21 22 23 24 25 26 27 28 29 30 31 32 33 34 35 36 37 38 39 40 41 42 43 44 45 46 47 48 49 50 51 52 53 54 55 56 57 58 59 60 61 62 63 64 65 66 67 68 69 70 71 72 73 74 75 76 77 78 79 80 81 82 83 84 85 86 87 88 89 90 91 92 93 94 95 96 97 98 99 100



Rev	Date	Revision	Material & Size	Process	
Scale	Designed	Drawn	Trace	Checked	Approved
	J. Iwata	J. Iwata			
	Sep 25 '82				