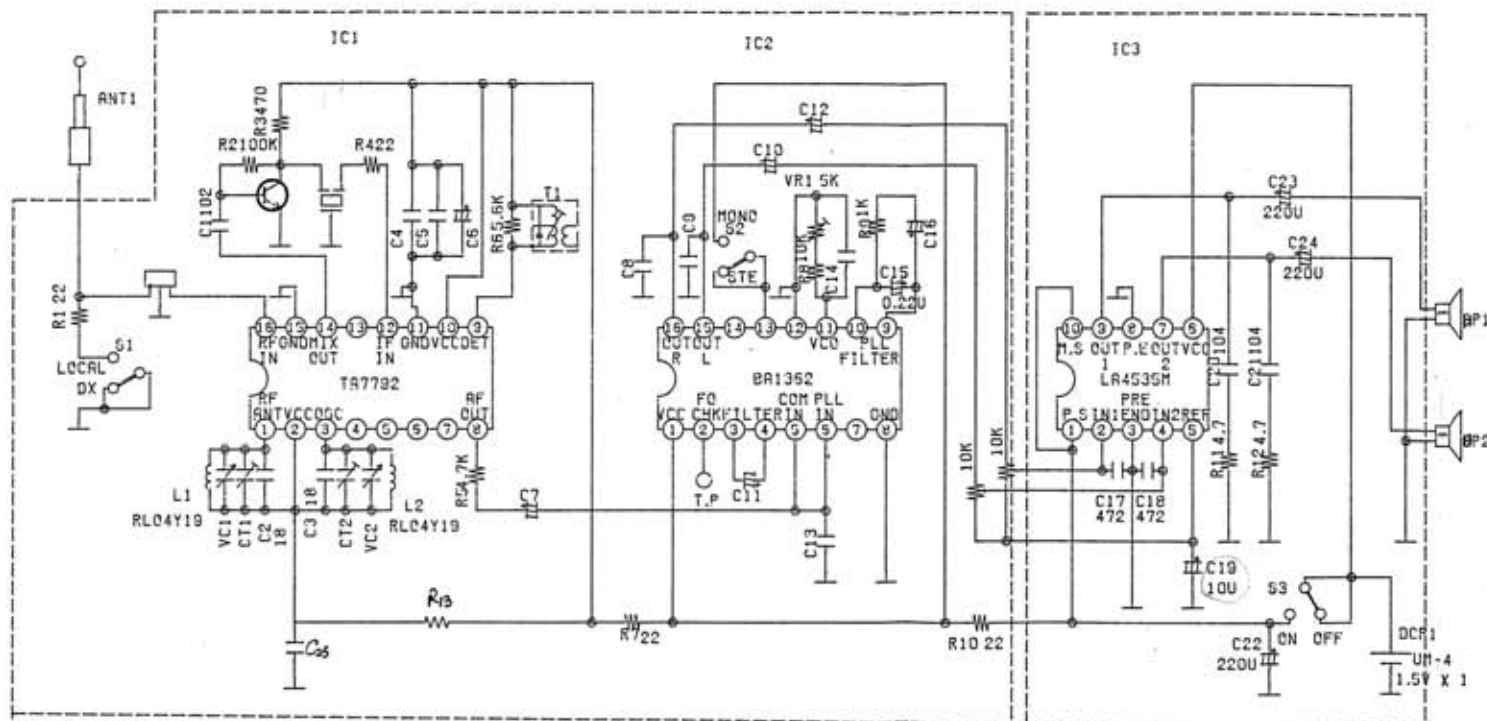


R
B
C
D
E
F

Z1 Q1 CF1
RXR8PMB5A 25C1923 RVF5F107

VR2 VR3
RVV2H3R14-A

PNL	PARTS
Q1	25C1923
IC1	TA7792
IC2	BA1352
IC3	LA4535M
L1	RL04Y19
L2	RL04Y19
T1	
Z1	RXR8PMB5A
CT1	
CT2	
CF1	RVF5F107
VC1	
VC2	
VR1	
VR2	RVV2H3R14-A
VR3	



NOTE:

R1	R2 R3	R4	R5 R6	R7	R8 R9	R10	R11 R12
C1	C2 C3	C4 C5 C6	C7	C8 C9	C11 C10 C12 C13 C14 C15 C16	C17 C18	C19 C20 C21 C22 C23 C24

Designed	Checked	Approved	Model
W.S.CHANG			RF-H2
85.4.30			