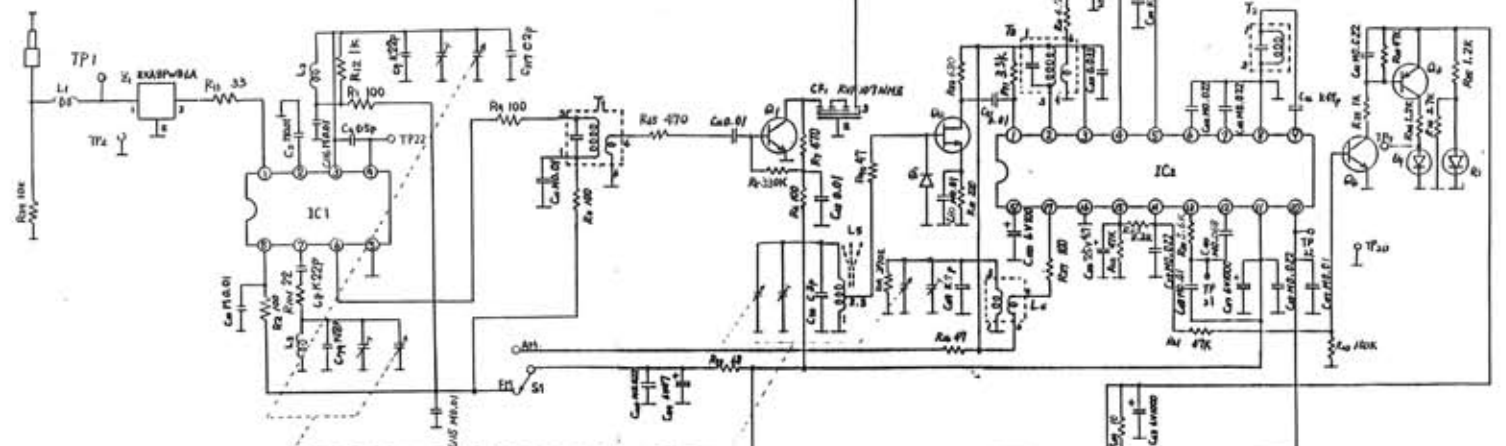


Rev	Date	Revision	A	B	C	D	E	F	Chgpt From	Signal	Checked	Approved



IC1	FM FRONT END	RV1TA735B1
IC2	IF & DET	AN7220A
IC3	TIMER	XV1TC9160F

Q1	IF AMP	2SC1009F4
Q2	AM RF AMP	2SK160K5
Q3	LED DRIVER	2SA971H5
Q4	AF PRE AMP	2SC1423LEA
Q5	AF DRIVER	2SC1423LEA
Q6	BC AMP	2SC1423LEA
Q7	POWER AMP	2SC2041K2TA
Q8	AOC	2SC1625LEA
Q9	POWER AMP	2SA952K2TA
Q10	LINE SWITCH	2SA912H5

D1	PROTECT	HA151K
D2	AOC	1A27A21K
D3	OPERATE	LM020JPH
D4	TUNING	RVBPR2202S

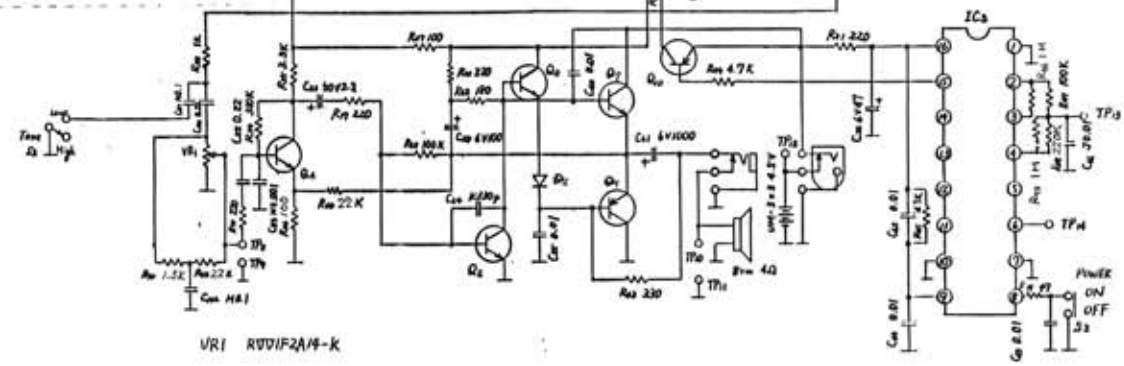
T1	RL148153-M
T2	RL148153-M
T3	RL128153-M
T4	RL148153-M

L1	RL0Y055-0
L2	RL04Y53-0
L3	RL04Y55-0
L5	RLF2B3-0
L6	RL02B107-M

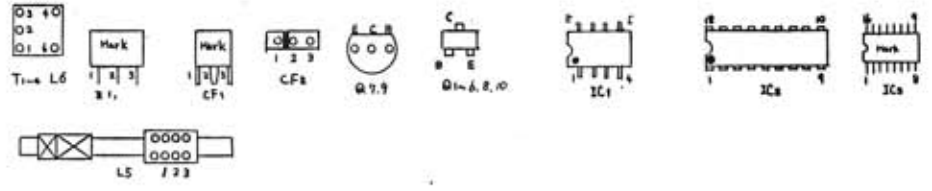
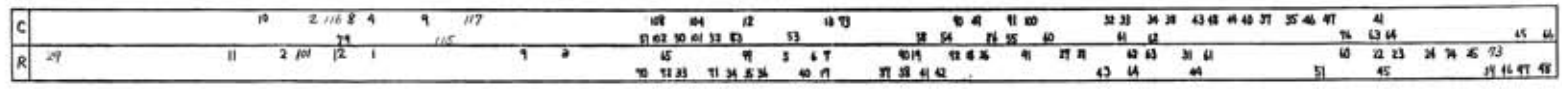
S1: Band Select Switch  
 S2: Tune Switch  
 S3: Power On-Off Switch

Resistor Tolerance No Mark J=25%  
 Value Ω KΩ=10<sup>3</sup> MΩ=10<sup>6</sup>  
 Capacitor Tolerance No Mark K=20%  
 Value μF pF=10<sup>-6</sup>

General Tolerance C=10.25pF D=24.7pF  
 J=25% K=20%  
 M=120%



VRI R001F2A/M-K



Qty	Item or Code No.	Material & Size	Process
1			Model <b>RF-USD-(J)</b>
			Part No. <b>SCHEMATIC DIAGRAM</b>
			Name <b>RUP1773ZA</b>