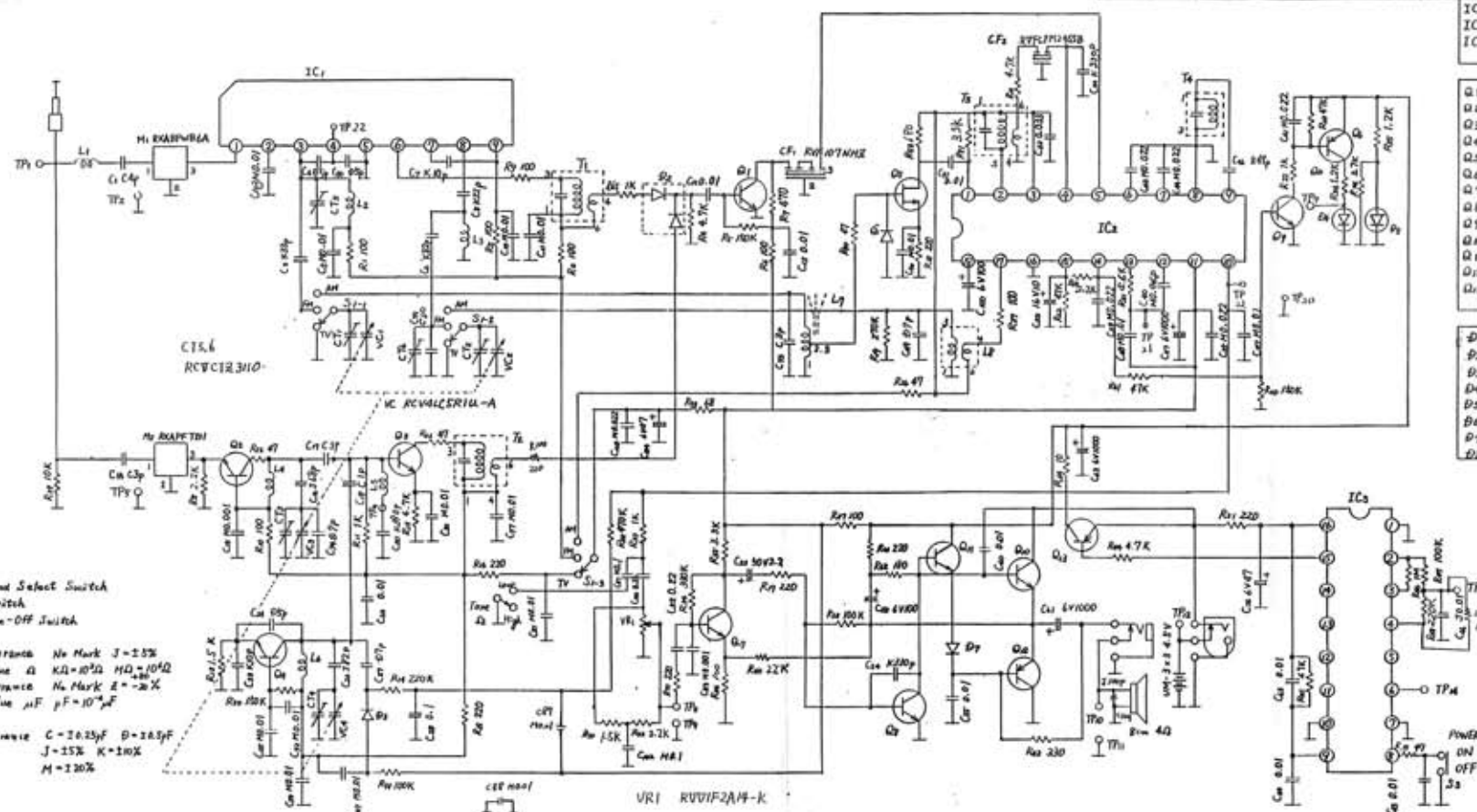


Rev	Date	Revision	A	B	C	D	E	F	Changed From	Signal	Checked	Approved



IC1	FM FRONT END	RV1 TA7358P
IC2	IF & DET	AN7220A
IC3	TIMER	RV1TC9160F

Q1	FM IF AMP	2SC1001F4
Q2	TV RF AMP	2SC2404C
Q3	TV CONV	2SC2404C
Q4	TV OSC	2SC2404C
Q5	AM RF AMP	2SK160K5
Q6	LED DRIVER	2SA812M5
Q7	AF PRE AMP	2SC1623LSA
Q8	AF DRIVER	2SC1623LSA
Q9	DC AMP	2SC1623LSA
Q10	POWER AMP	2SC2001K2TA
D1	AOC	2SC1623LSA
D2	POWER AMP	2SA952K2TA
D3	LINE SWITCH	2SA812M5

D1	PROTECT	HA151K
D2	IF SWITCH	HA151WK
D3	AFC	RVDS0113
D4	TUNING	RVDP2202S
D5	OPERATE	LV014202PH
D6		
D7	AOC	HA27A2TK
D8		

T1	RL14B1S3-M
T2	RL14B1S3-M
T3	RL12B1S3-M
T4	RL14B1S3-M

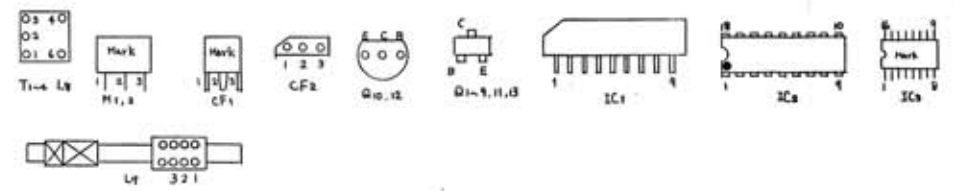
L1	RL0Y1S5-0
L2	RL04N1S3-0
L3	RL04N1P1-0
L4	RL04Y29-0
L5	RL04Y50S3-0
L6	RL04Y31-0
L7	RLF2B3-0
L8	RL02B107-M
L9	

S1 ~ S3: Band Select Switch
 S2: Tone Switch
 S3: Power On-Off Switch

Resistor Tolerance No Mark J=±5%
 White G KΩ=10³ Ω MΩ=10⁶ Ω
 Capacitor Tolerance No Mark J=±5%
 Value μF pF=10⁻⁶ F

General Tolerance C=±0.25pF D=±0.5pF
 J=±5% K=±10% M=±20%

C	1	03	3	4	5	6	7	8	9	10	11	12	13	14	15	16	17	18	19	20	21	22	23	24	25	26	27	28	29	30	31	32	33	34	35	36	37	38	39	40	41	42	43	44	45	46
R	01	02	03	04	05	06	07	08	09	10	11	12	13	14	15	16	17	18	19	20	21	22	23	24	25	26	27	28	29	30	31	32	33	34	35	36	37	38	39	40	41	42	43	44	45	46



Scale	Designed	Drawn	Traced	Checked	Approved
	01			01	
	June 15 '87			June 15 '87	