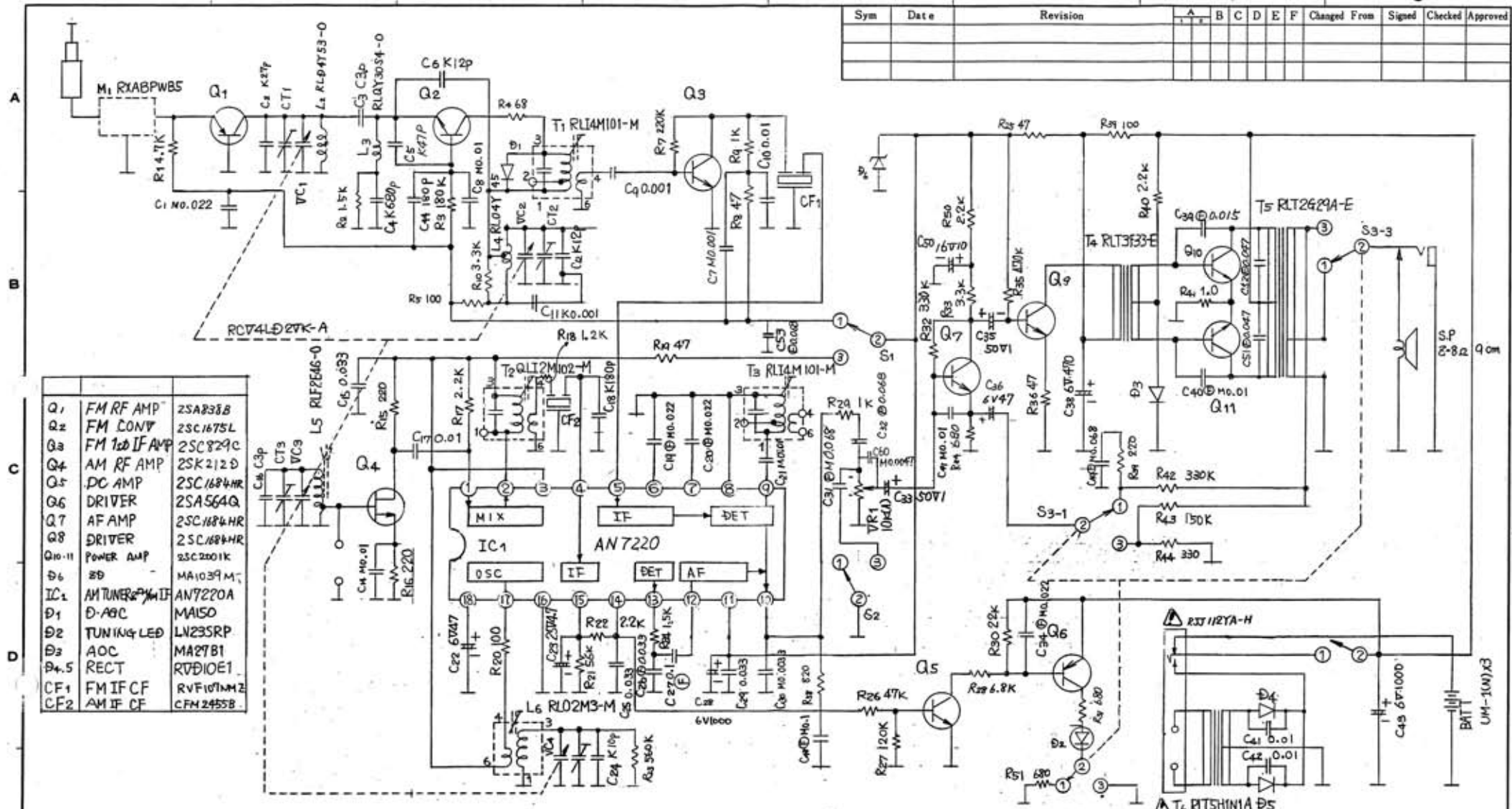


Sym	Date	Revision	A	B	C	D	E	F	Changed From	Signed	Checked	Approved



Q1	FM RF AMP	2SA838B
Q2	FM CONV	2SC1675L
Q3	FM 1st IF AMP	2SC829C
Q4	AM RF AMP	2SK212D
Q5	DC AMP	2SC1684HR
Q6	DRIVER	2SA564Q
Q7	AF AMP	2SC1684HR
Q8	DRIVER	2SC1684HR
Q9-11	POWER AMP	2SC2001K
D6	SD	MA1039M
IC1	ANTUNER & MIX	AN7220A
D1	D-AOC	MA1039M
D2	TUNING LED	LN23SRP
D3	AOC	MA27B1
R4-5	RECT	RV010E1
CF1	FM IF CF	RVF107MM2
CF2	AM IF CF	CFM2455B

C	1	2	3	4	5	6	8	11	12	9	10	40	30	47	25	36	38	39	40	46				
R	1	2	3	5	10	4	7	8	9	29	26	27	28	30	33	34	35	25	36	39	40	42	43	41

Sym	Item or Code No.	Material & Size	at	Process
(A) (B) (C) (D) (E) (F)				
Scale	Designed	Drawn	Traced	Checked
	Name			
	T. Hooman			