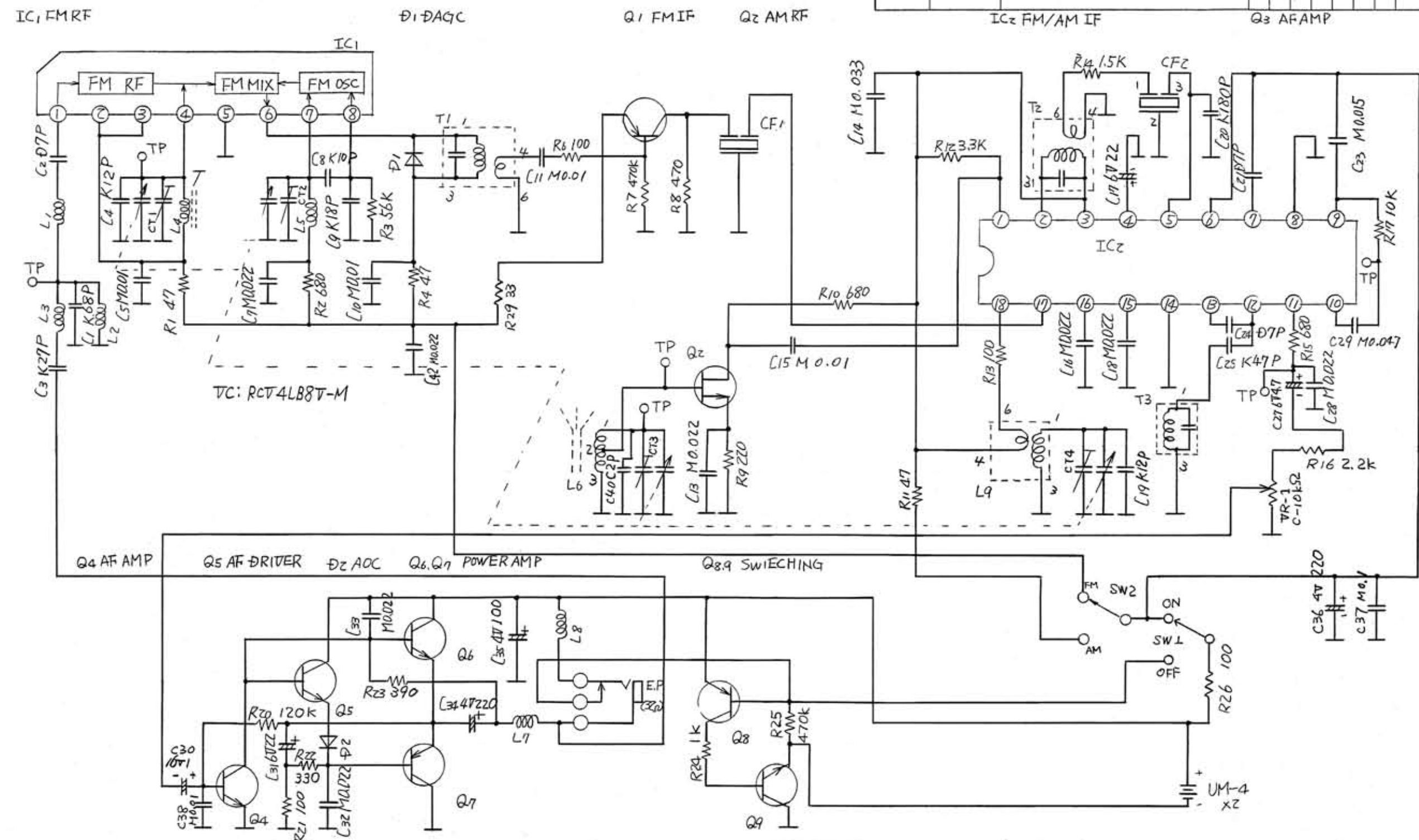
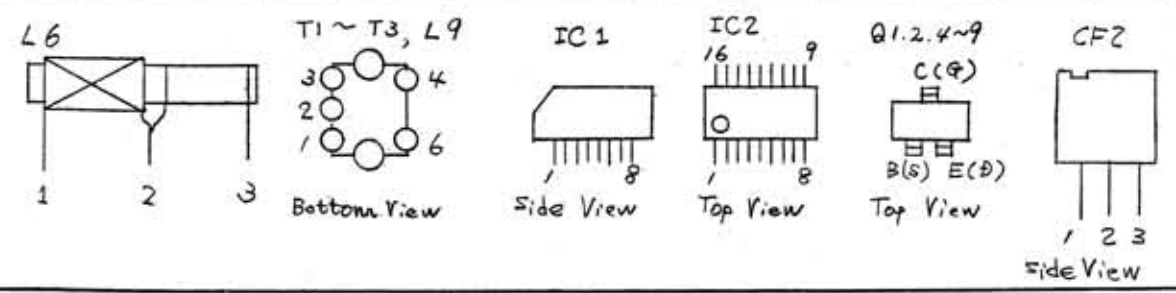


Sym	Date	Revision	A B C D E F						Changed From	Signed	Checked	Approved



INDEX	Parts No.
IC1	AN7216
IC2	AN72265
Q1	ZSA1022B
Q4	ZSD601R
Q5	"
Q6	ZSD596DT3
Q9	"
Q7	ZSB624BT3
Q8	"
Q2	ZSK160K5
D1	MA150
D2	MA27B1
T1	RLI4A4-T
T3	"
T2	RLI2A8-T
L1	RLQ8JR47M-Y
L2	RLQY1055-0
L3	RLQY3751-0
L8	RLQ82293-Y
L7	RLQ82293-Y
L4	RLO4N156-0
L9	RLO2A3-T
L5	RLO4Y31-0
L6	RLFZY26-0
CF1	RDF107NA8
CF2	RDFCFM2458

C	non No.																				Part No							
	2,3,1	4	5	7	8	9	10	42	11	40	13	15	14	16	17,18,19,21	20	24	25	27	28	23	29	6,12,22					
R			38	30		31	32	33	34	35											36	37		42				
		1			2	3	4			29	6	7	8	9		10				11	12	13	14	16	15	17	5,18,19,27	
					20,21,22		23						24	25										26			28	29



Sym	Item or Code No.	Material & Size	at	Process				
RD	Q	M	EX	P	C	A		
Scale	Designed	Drawn	Traced	Checked	Approved			
	K. Hirata	K. Hirata	K. Hirata	T. Amans	M. Hirata			
	July 5 '82	July 5 '82	July 5 '82					
Model							RF-006-(N)	
Parts No.								
Name							Kimiyasu Hirata	