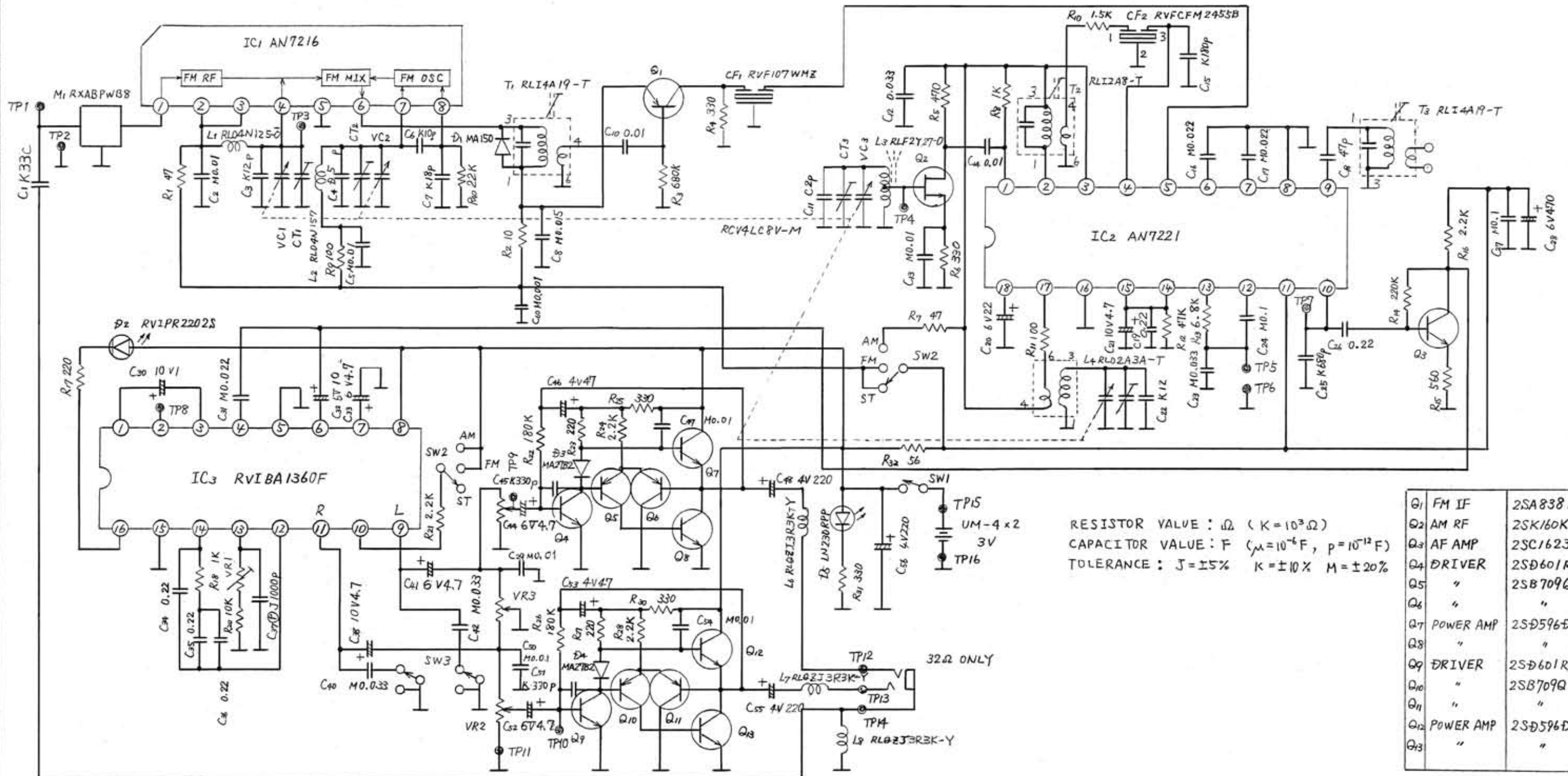


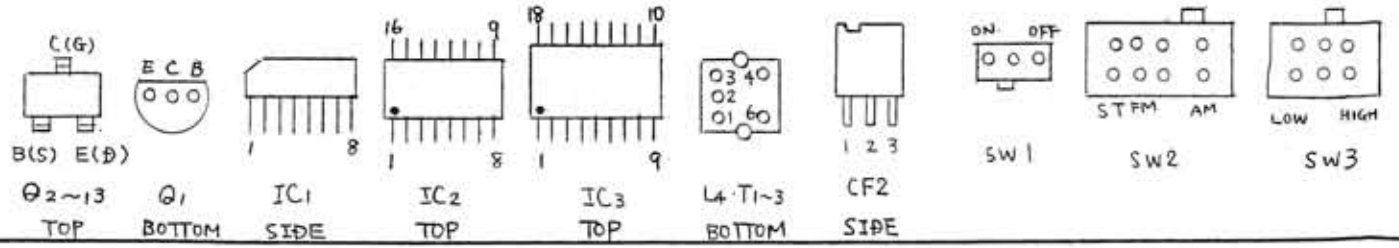
Sym	Date	Revision	A B C D E F						Changed From	Signed	Checked	Approved
			A	B	C	D	E	F				



RESISTOR VALUE : Ω (K=10<sup>3</sup>Ω)  
 CAPACITOR VALUE : F (μ=10<sup>-6</sup>F, p=10<sup>-12</sup>F)  
 TOLERANCE : J=±5% K=±10% M=±20%

Q1	FM IF	2SA838B
Q2	AM RF	2SK160K5
Q3	AF AMP	2SC1623L5A
Q4	DRIVER	2SD601R
Q5	"	2SB709Q
Q6	"	"
Q7	POWER AMP	2SD596DV3
Q8	"	"
Q9	DRIVER	2SD601R
Q10	"	2SB709Q
Q11	"	"
Q12	POWER AMP	2SD596DV3
Q13	"	"

C	1	2	3	4	5	6	7	8	9	10	11	12	13	14	15	16	17	18	19	20	21	22	23	24	25	26	27	28															
R	17	18	20	21	22	23	24	25	26	27	28	29	30	31	32	33	34	35	36	37	38	39	40	41	42	43	44	45	46	47	48	49	50	51	52	53	54	55	56	57	58	59	60



Sym	Item or Code No.	Material & Size	at	Process
(RD) (Q) (M) (EX) (F) (C) (A)				
Scale	Designed	Drawn	Traced	Checked
	H. Tanaka			T. AMANO
Model	RF-008-(N)			Parts No.
Name	A. Mowfata			