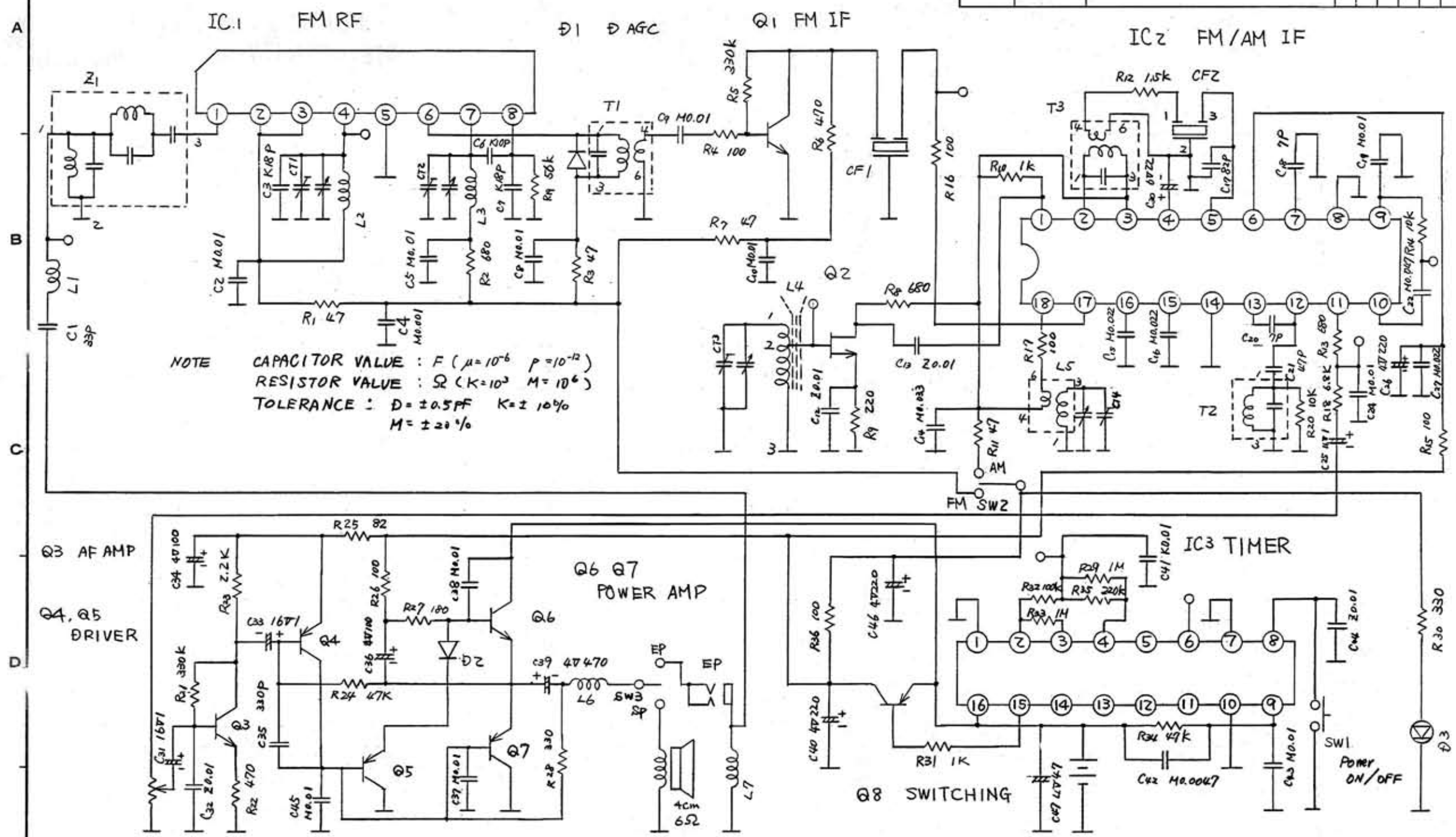


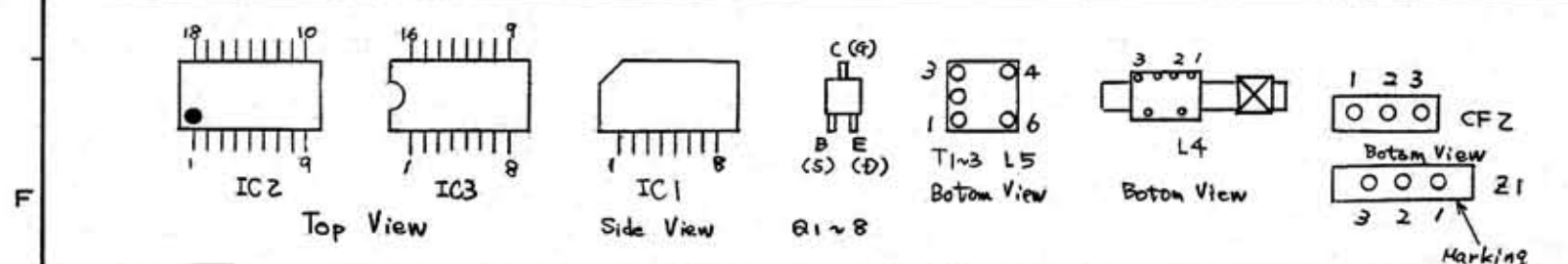
Sym	Date	Revision	A B C D E F						Changed From	Signed	Checked	Approved



NOTE
 CAPACITOR VALUE : F ($\mu=10^{-6}$ p= 10^{-12})
 RESISTOR VALUE : Ω (K= 10^3 M= 10^6)
 TOLERANCE : D= $\pm 0.5\%$ K= $\pm 10\%$
 M= $\pm 20\%$

INDEX	Part No.
IC 1	AN7Z16
2	AN7Z26S
3	ROITC916DF
Q 1	2SC 229SC
2	2SK 160K5
3	2SC 1623LSA
4	2SA 812 M4
5	2SA 813 M5
6	2SD 596 DT3
7	2SB 624 BT3
8	"
D 1	MA 150
2	MA 27 B2
3	LN 222 RP
CF 1	RVF 107 NAZA
2	RVF RFA 455A
L 1	RLAY 50.85
2	RL0 4N 114-0
3	RL0 4N 156-0
4	RLF 2Y 36-0
5	RL0 2A 3-T
6	RLQ 2N 2R 2K-D
7	"
T 1	RLI 2A 27
2	"
3	RLI 2A 8-T
Z 1	RXA BPW 88

C	1	2	3	4	5	6	7	8	9	10	12	13	14	15	16	17	18	19	20	21	22	23	24	25	26	27
R		31	32	33	34	35	36	37	38	39	40	41	42	43	44	45	46	47	48	49	50	51	52	53	54	55



Sym	Item or Code No.	Material & Size	at	Process
(RD) (Q) (M) (EX) (P) (C) (A)				Model RF-030-(N)
Scale	Designed	Drawn	Traced	Checked
	Aug 5 '83	Aug 5 '83	Aug 5 '83	T. Fukushima
	K. Niwata	K. Niwata	K. Niwata	
Parts No.				Name