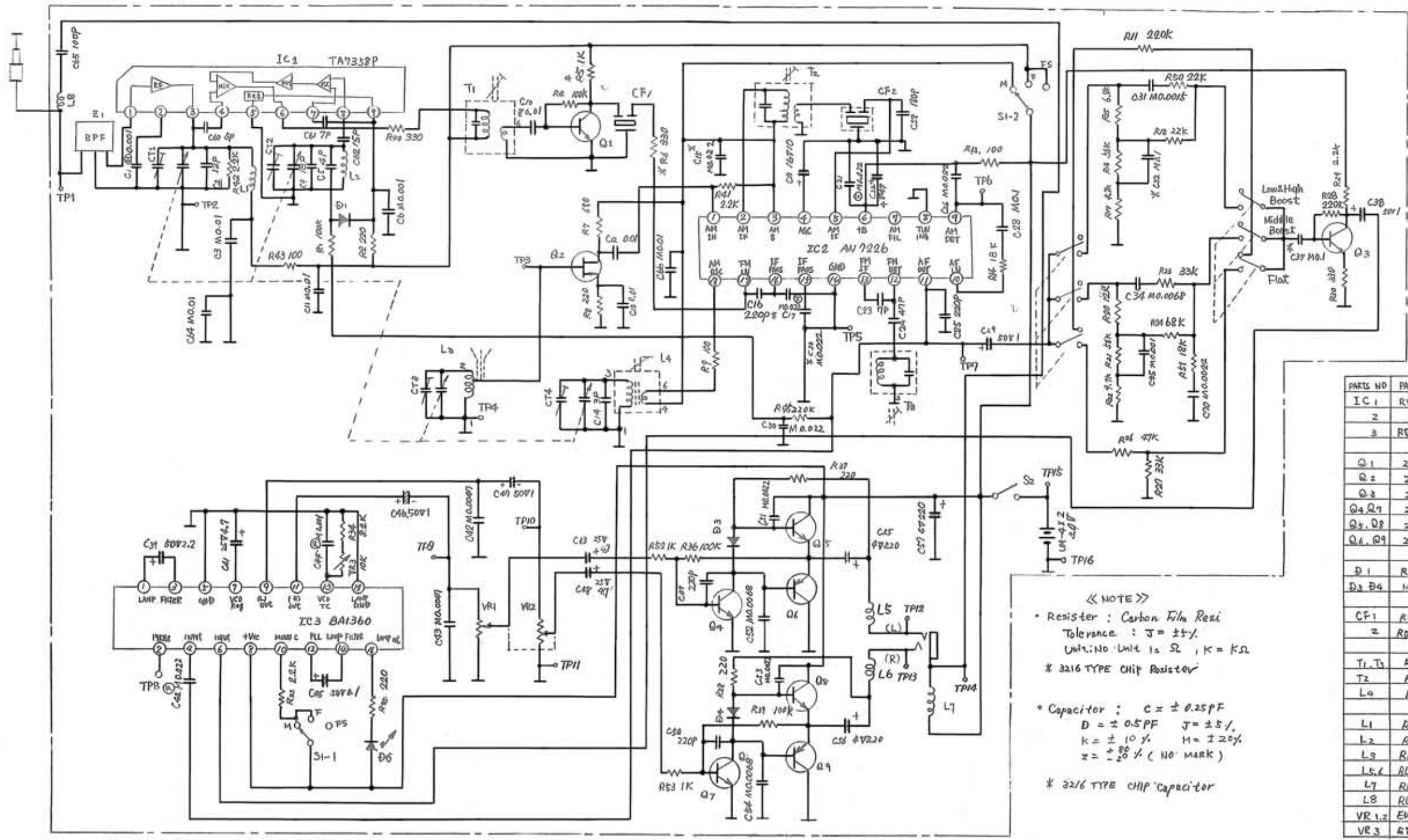


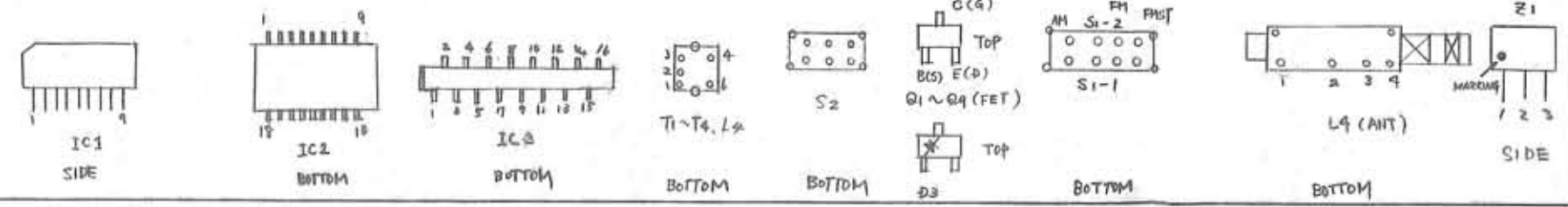
Sym	Date	Revision	A	B	C	D	E	F	Changed From	Signed	Checked	Approved



PARTS NO	PARTS NAME
IC 1	RV1TA7358P
2	AN7226
3	RV1BA1360
Q1	2SC2295C
Q2	2SK101K
Q3	2SC601R
Q4, Q7	2SC601R
Q5, Q8	2SD596BY3
Q6, Q9	2SB629BT3
D1	RV1SD113
D2, D4	MA2BWA
CF1	RV1F107WMB
2	RV1FPA45A
T1, T3	RL1A44
T2	RL1A18
L9	RL02A3
L1	RL04Y34-0
L2	RL04Y19
L3	RL1Z135
L5, 6	RL0BP2R2M-Y
L7	RL0BP2R2M
L8	RLQY2556-0
VR 1,2	EV1BA450A4
VR 3	EV1BA1A0094

<< NOTE >>
 • Resistor: Carbon Film Resistor
 Tolerance: J = ±5%
 Unit: No Unit is Ω, K = KΩ
 * 3216 TYPE CHIP Resistor
 • Capacitor: C = ±0.25pF
 D = ±0.5pF J = ±5%
 k = ±10% M = ±20%
 z = ±50% (NO MARK)
 * 3216 TYPE CHIP Capacitor

C	15	1	2	60	2	64	4	5	6	62	10	12	13	14	15	16	19	18	20	21	22	23	24	25	26	28	29	31	32	35	34	37	38
R			39	40	41	42	43	44	45	46	47	48	49	50	51	52	53	54	55	56	57	58	59	60	61	62	63	64	65	66	67	68	



Sym	Item or Code No.	Material & Size	Lot	Process
(10) (11) (12) (13) (14) (15)				Model RF-11-(M)
Scale	Designed	Drawn	Traced	Checked
	H. Johnson			
	Jan 21 '83			
				Parts No.
				Name