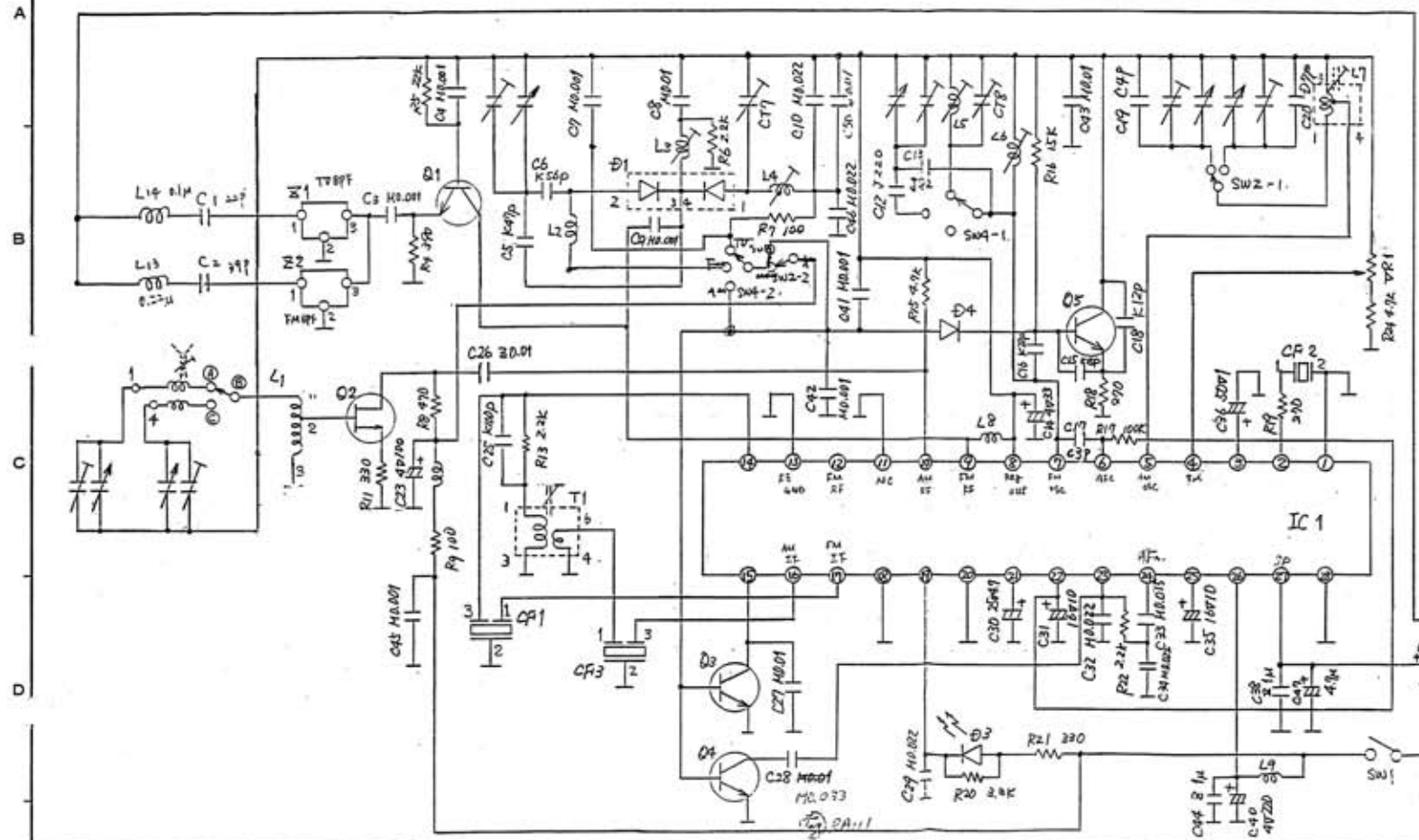
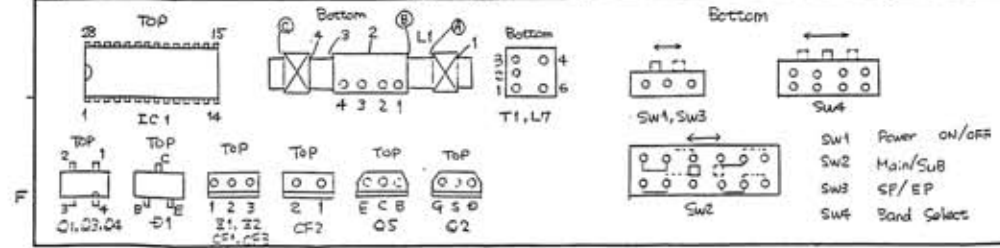
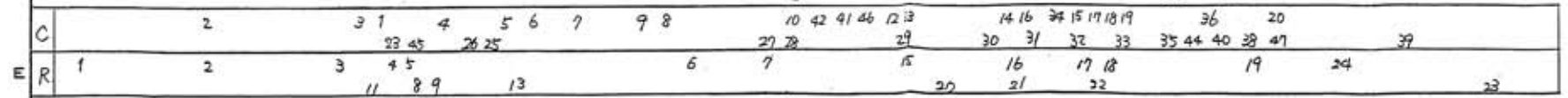


Sym	Date	Revision	A	B	C	D	E	F	Changed From	Signed	Checked	Approved



Q1	2SC2404CTX	Fu/V RF AMP
Q2	2SK193K	LW RF AMP
Q3	UN2211TW	SWITCHING
Q4	"	"
Q5	2SC3315C	Fu/V OSC AMP
D1	MA862TW	SWITCHING
D3	RDP2R243D	TUNING LED
D4	RTD15C135	SWITCHING
CF1	RUF10TJNM21	
CF2	RUF109KWH21	
CF3	RYFDDA455A	
Z1	EXABPTB9	
Z2	EXABPW89	
IC1	CX20091	
CT1	RCUC2R3510	
CT2	"	

L1	RLF2YS2-0
L2	ELJFA2R2KT-5
L3	RL04N226-0
L4	RL04Y87W-0
L5	RL04Y735-0
L6	RL04N226-0
L7	RL02A24
L8	RL02P2R24L-Y
L9	RL300040-0
L10	ELJFA1R0KT-5
L11	"
L12	RL02P101KL-Y
L13	ELJFA2R2KT-5
L14	ELJFA1R0KT-5



Sym	Item or Code No.	Material & Size	Q'ty	Process
①	②	③	④	
Model	RF-13D-J			
Parts No.				
Name				
Scale	Designed	Drawn	Traced	Checked
				Approved