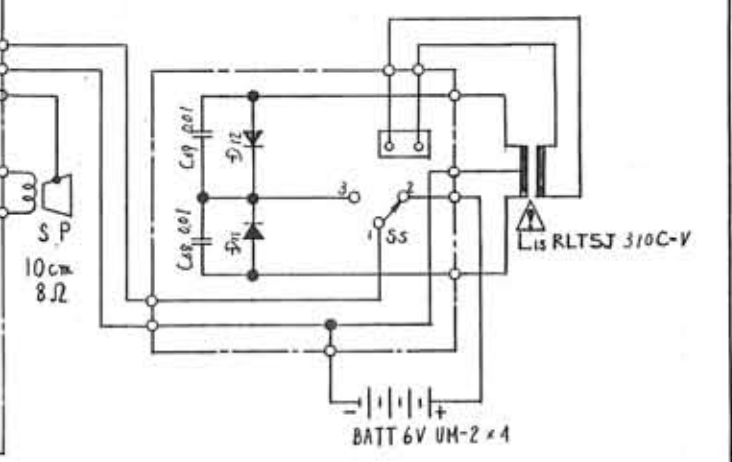
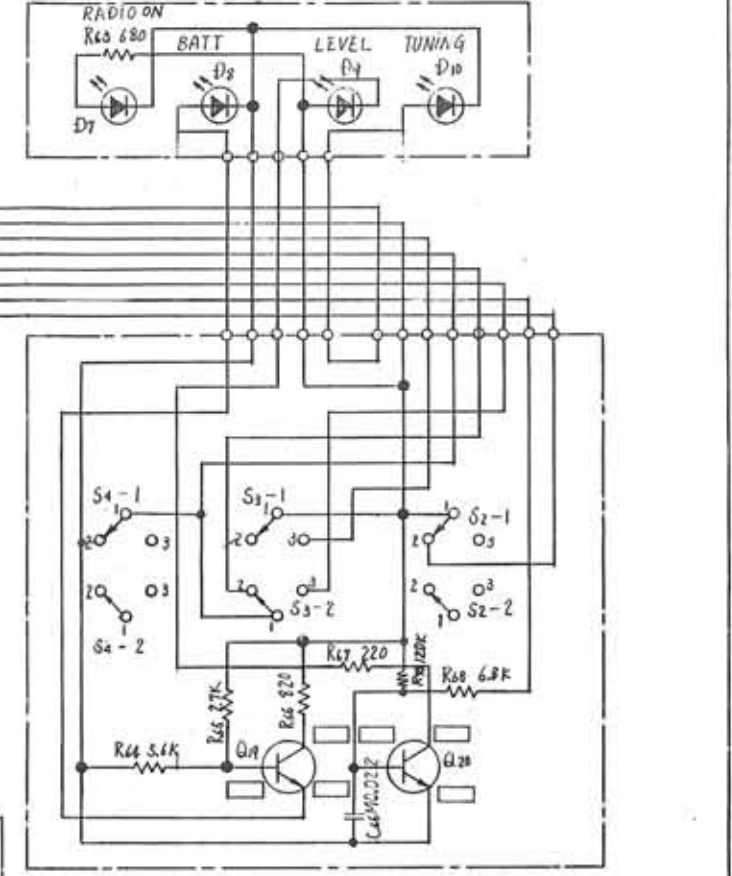
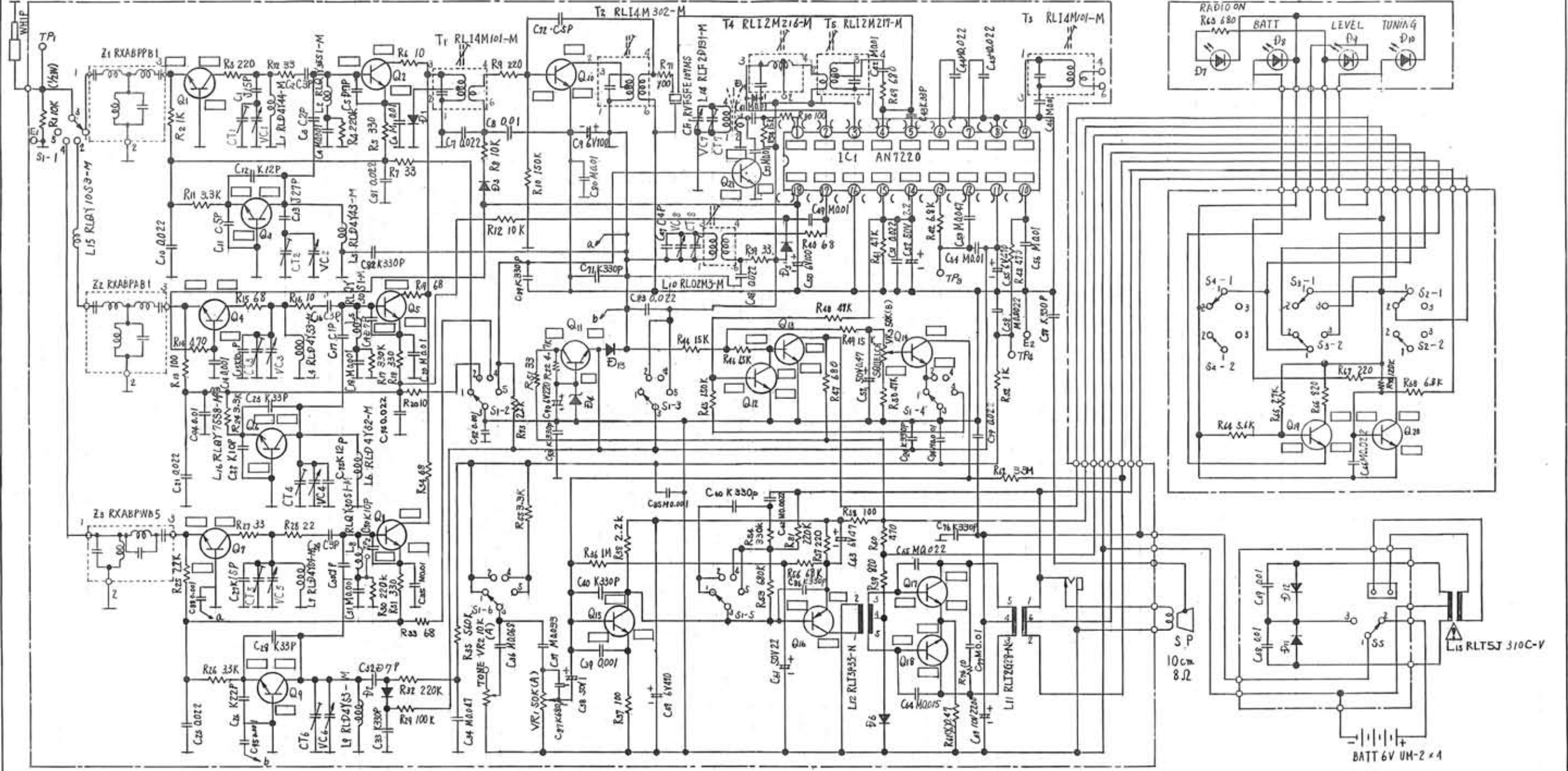


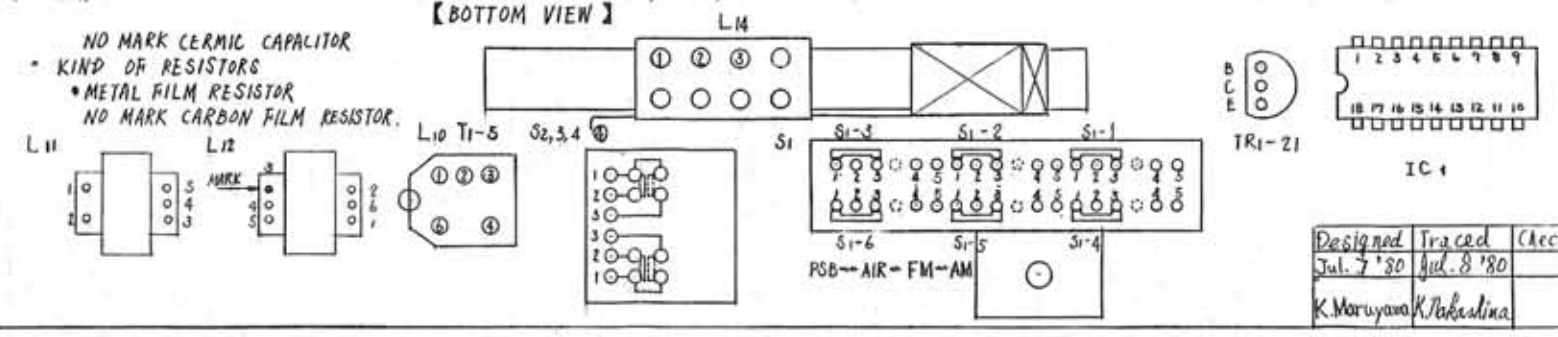
Q1 PSB RF AMP 2SC1674	Q3 PSB LO SC 2SC1674	Q5 AIR MIX 2SC1674	Q7 FM RF AMP 2SC1674	Q9 FM LO SC 2SC1674	Q11 REQUATOR RVTHIT9014	Q13 AF AMP 2SC945	Q17,18 POWER AMP RVTHIT904 x 2	Q20 AF AMP RVTHIT9014	D1 AGC DA90	D3 AGC DA90	V5 SWITCHING IS2076	D7,8,9,10 LED RADSLP1011	D11,12 RECT RTDW06B x 2	
Q2 PSB MIX 2SC1674	Q4 AIR RF AMP 2SC1674	Q6 AIR LO SC 2SC1674	Q8 FM MIX 2SC1674	Q10 FM IF AMP RVTHIT9011	Q12,13,14 DC AMP RVTHIT9014 x 3	Q16 AF AMP RVTHIT9015	Q19 DC AMP RVTHIT9014	Q21 SWITCHING RVTHIT9014	D2 AFC RVDS0113	D4 ZENER RVDH33BLL	V6 AOC KVOVD1170L	IC1 AM CONV 1M/1M IF & DET AN7220	D13 AOC RVDKB167	D14 DAGC IS2076



C	10, 11, 12, 13, 14, 15, 16, 17, 18, 19, 20, 21, 22, 23, 24, 25, 26, 27, 28, 29, 30, 31, 32, 33, 34, 35, 36, 37, 38, 39, 40, 41, 42, 43, 44, 45, 46, 47, 48, 49, 50, 51, 52, 53, 54, 55, 56, 57, 58, 59, 60, 61, 62, 63, 64, 65, 66, 67, 68, 69, 70, 71, 72, 73, 74, 75, 76, 77, 78, 79, 80, 81, 82, 83, 84, 85, 86, 87, 88, 89, 90, 91, 92, 93, 94, 95, 96, 97, 98, 99, 100	95
R	1, 2, 3, 4, 5, 6, 7, 8, 9, 10, 11, 12, 13, 14, 15, 16, 17, 18, 19, 20, 21, 22, 23, 24, 25, 26, 27, 28, 29, 30, 31, 32, 33, 34, 35, 36, 37, 38, 39, 40, 41, 42, 43, 44, 45, 46, 47, 48, 49, 50, 51, 52, 53, 54, 55, 56, 57, 58, 59, 60, 61, 62, 63, 64, 65, 66, 67, 68, 69, 70, 71, 72, 73, 74, 75, 76, 77, 78, 79, 80, 81, 82, 83, 84, 85, 86, 87, 88, 89, 90, 91, 92, 93, 94, 95, 96, 97, 98, 99, 100	81

NOTE

- S1-1~1-6 BAND SELECT SWITCH PSB POSITION INDICATED.
- S2-1~2-2 POWER SWITCH ON POSITION INDICATED.
- S3-1~3-2 BATT SAVER SWITCH ON POSITION INDICATED.
- S4-1~4-2 LED SWITCH ON POSITION INDICATED.
- S5 AC-BATT SELECT SWITCH BATT POSITION INDICATED.
- ALL RESISTOR VALUES IN OHM (K=10³ Ω)
- ALL CAPACITOR VALUES IN MICRO FARAD (P=10⁻⁹ F)
- TOLERANCE C=±0.25pF, D=±0.5pF, J=±5%, K=±10%, M=±20%, Z=±20%
- TOLERANCE OF RESISTOR IS ±5% (J), UNLESS OTHERWISE INDICATED.
- KIND OF CAPACITORS
 - Ⓢ SEMI CONDUCTIVE CERAMIC CAPACITOR.
 - Ⓣ STYRENE FILM CAPACITOR.



IMPORTANT SAFETY NOTICE

THE PARTS WITH Δ MARK ON THIS SCHEMATIC DIAGRAM INCORPORATE SPECIAL FEATURES IMPORTANT FOR SAFETY. WHEN SERVICING IT IS ESSENTIAL THAT ONLY MANUFACTURER'S SPECIFIED PARTS BE USED FOR THE CRITICAL COMPONENTS IN THE PARTS WITH Δ MARK OF THE SCHEMATIC

Designed Jul. 7 '80	Traced Jul. 8 '80	Checked	Approved	Model RF-1405-(M)-KSM
K. Moriyama	K. Kobayashi			Part No. SCHEMATIC DIAGRAM