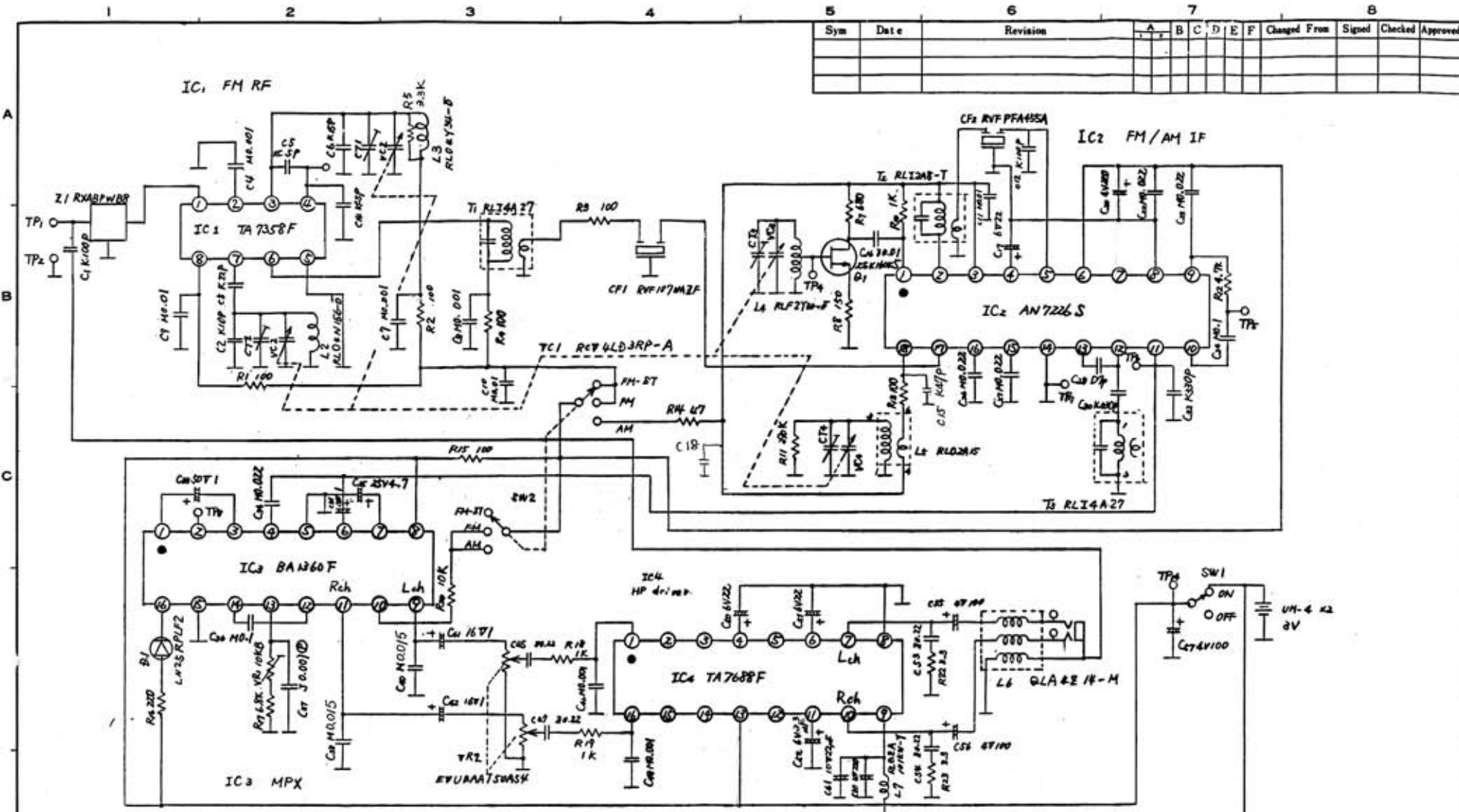


Sym	Date	Revision	A	B	C	D	E	F	Changed From	Signed	Checked	Approved



C	1	9	4	2	3	5	6	11	7	8	10	11	12	13	16	15	14	17	20	18	22	23	22	24
R	20	1	26	24	27	28	25	40	41	42	45	47	44	48	50	47	42	53	54	55	56	57		12
	16	17				15	20		4		3	16		9	8	10	13		9					

Sym	Item or Code No.	Material & Size	at	Process
①	②	③	④	⑤
Scale	Designed	Draws	Traced	Checked
	July 1978	July 1978	July 1978	T. Subramanian
	K. Murthy	K. Murthy	K. Murthy	
Model	RF-14-(J)			
Parts No.				
Name				