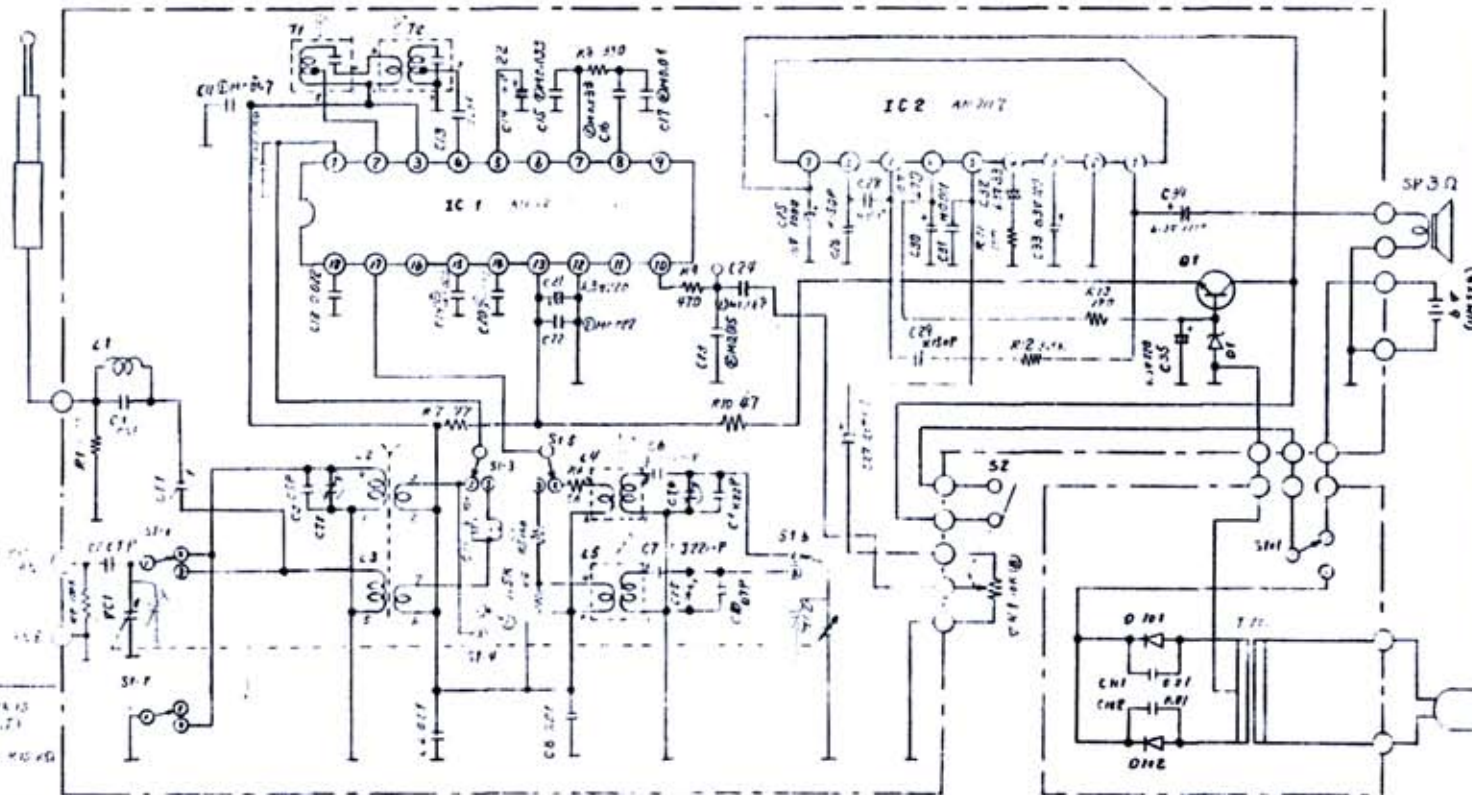


Rev	Date	Revised	By	Checked	Approved

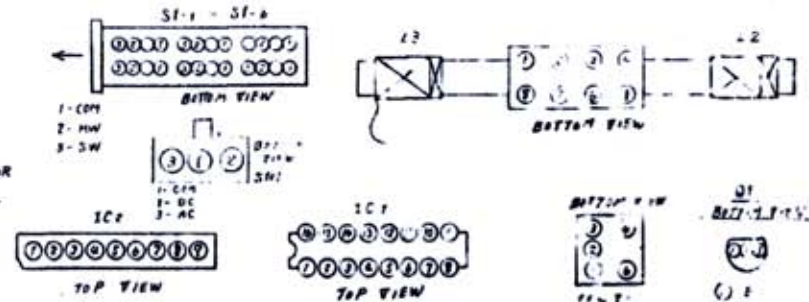
C	1	2	3	4	5	6	7	8	9	10	11	12	13	14	15	16	17	18	19	20	21	22	23	24	25	26	27	28	29	30	31	32	33	34	35	36	37	38	39	40	41	42	43	44	45	46	47	48	49	50	51	52	53	54	55	56	57	58	59	60	61	62	63	64	65	66	67	68	69	70	71	72	73	74	75	76	77	78	79	80	81	82	83	84	85	86	87	88	89	90	91	92	93	94	95	96	97	98	99	100
R	1	2	3	4	5	6	7	8	9	10	11	12	13	14	15	16	17	18	19	20	21	22	23	24	25	26	27	28	29	30	31	32	33	34	35	36	37	38	39	40	41	42	43	44	45	46	47	48	49	50	51	52	53	54	55	56	57	58	59	60	61	62	63	64	65	66	67	68	69	70	71	72	73	74	75	76	77	78	79	80	81	82	83	84	85	86	87	88	89	90	91	92	93	94	95	96	97	98	99	100



IC1	AN 7136
IC2	AN 7117
BT	ZSC945Q17A
DI	RTD-200-LTA
DA1	RERIN-300ET
DBE	RER110-217
LI	RLAY 7505-0
LR	SL1728-0
LA	-
LR	KLD2017-M
ER	RER100-M
LR	RLAY 7505-0
VR	RCTR-17-M
VR	RCTR-17-M
TR	RLY 2017-M
TR	RLY 2017-M
TR1	RLY 2017-M
TR	RLY 2017-M

REMARKS  
 THERMISTOR 10-200 (R)  
 1/4 WATT DISCRETE  
 3% 15% TOLERANCE  
 150 2.0W  
 UNIT: MCMC 1/2  
 P. 15, P. 2  
 REMARK IS CERAMIC CAPACITOR  
 OR CHEMICAL CAPACITOR  
 (R) MARK IS SEMICONDUCTIVE  
 CAPACITOR

REMARK IS CARBON FILM  
 RESISTOR  
 \*REMARKS  
 1- COM  
 2- HW  
 3- SW  
 REMARK IS CERAMIC CAPACITOR  
 OR CHEMICAL CAPACITOR  
 (R) MARK IS SEMICONDUCTIVE  
 CAPACITOR



IMPORTANT SAFETY NOTICE  
 THE PARTS WITH Δ ON THIS SCHEMATIC  
 DIAGRAM INCORPORATE SPECIAL FEATURES  
 IMPORTANT FOR SAFETY.  
 WHEN SPRINGING, IT IS ESSENTIAL THAT ONLY  
 MANUFACTURER'S SPECIFIED PARTS BE USED  
 FOR THE CRITICAL COMPONENTS IN THE PARTS  
 WITH Δ MARK OF THE SCHEMATIC.

Rev	Date	By	Checked	Approved	Part No.