

NATIONAL T-100

TR,
OSC
2SA70

TR,
MIX
2SA70

TR,
1st IF AMP
2SA101

TR,
2nd IF AMP
2SA101

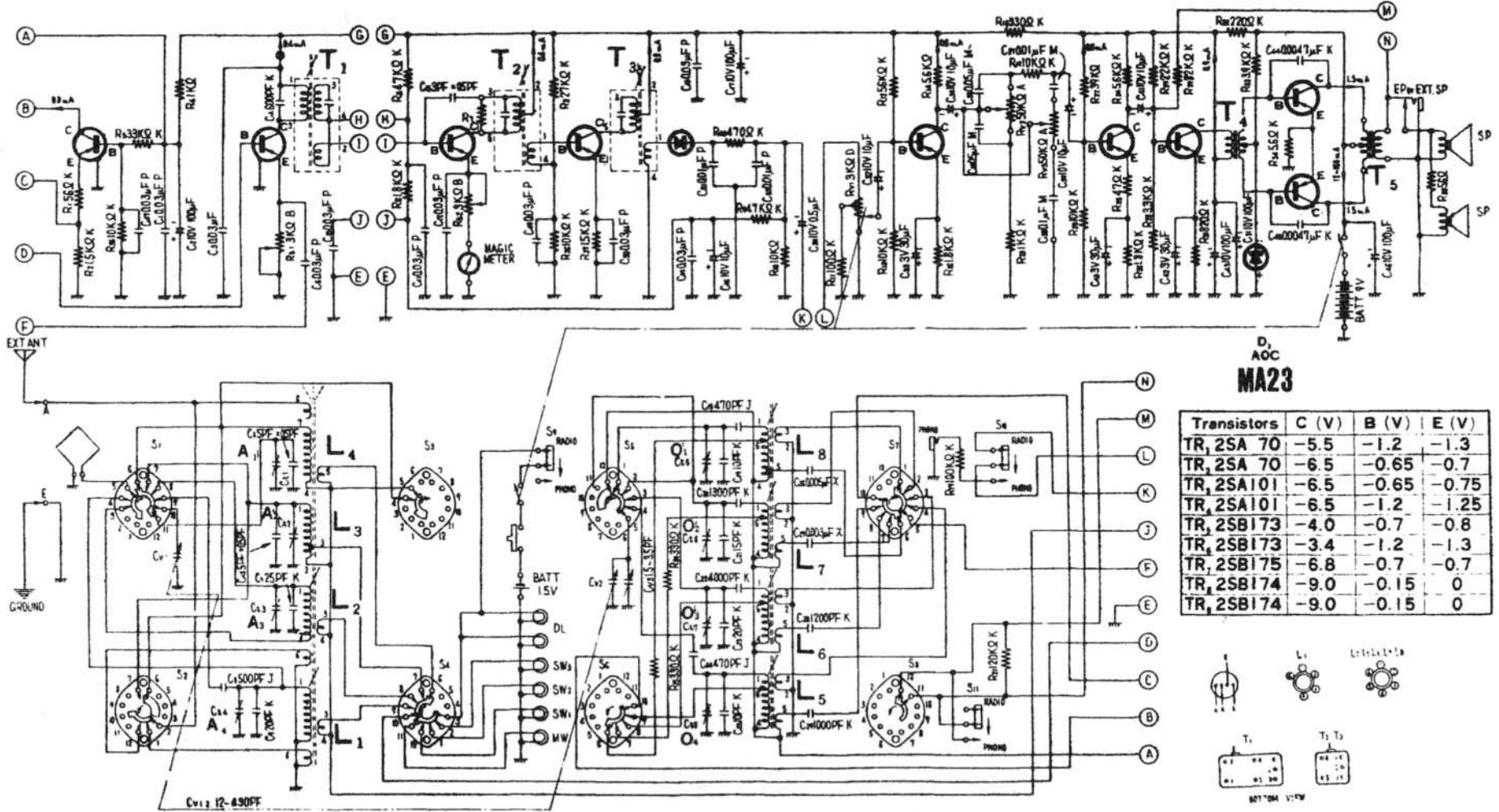
D,
2nd DET & A.G.C.
0A70

TR,
1st AF AMP
2SB173

TR,
2nd AF AMP
2SB173

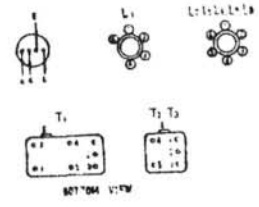
TR,
3rd AF AMP
2SB175

TR, TR,
OUT PUT
2SB174x2



D,
AOC
MA23

Transistors	C (V)	B (V)	E (V)
TR, 2SA 70	-5.5	-1.2	-1.3
TR, 2SA 70	-6.5	-0.65	-0.7
TR, 2SA101	-6.5	-0.65	-0.75
TR, 2SA101	-6.5	-1.2	-1.25
TR, 2SB173	-4.0	-0.7	-0.8
TR, 2SB173	-3.4	-1.2	-1.3
TR, 2SB175	-6.8	-0.7	-0.7
TR, 2SB174	-9.0	-0.15	0
TR, 2SB174	-9.0	-0.15	0



Cu 12-430PF

80704 V17