

# 7石2バンドトランジスタ T-44

TR<sub>1</sub>  
2SA103  
Conv.

D<sub>1</sub>  
0A70  
OSC. Comp.

TR<sub>2</sub>  
2SA101  
1st I.F. Amp.

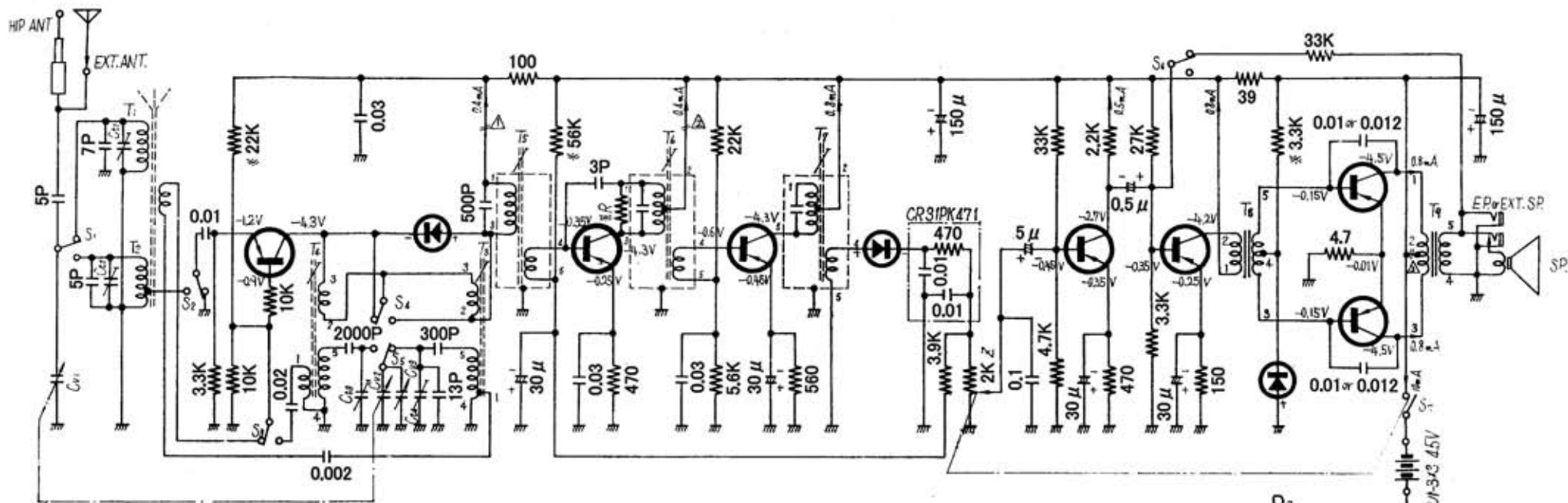
TR<sub>3</sub>  
2SA101  
2nd I.F. Amp.

D<sub>2</sub>  
0A70  
Det & A.G.C.

TR<sub>4</sub>  
2SB173  
1st A.F. Amp.

TR<sub>5</sub>  
2SB175  
2nd A.F. Amp.

TR<sub>6</sub> & TR<sub>7</sub>  
2SB172×2  
Out put



Bottom View

- (注) 1. S<sub>1</sub>、S<sub>2</sub>は発動でバンド切替スイッチ 帯域位置はMW、  
 2. S<sub>1</sub>は電源スイッチ 現在はOFF  
 3. ※印抵抗値は標準値でTRの特性により変動する事あり。  
 4. ※印R は330KΩ、220KΩ、180KΩ、100KΩ、又はなし

D<sub>3</sub>  
MA23  
A.O.C.

# NATIONAL T-44

TR<sub>1</sub>  
**2SA103**  
Conv.

D<sub>1</sub>  
**0A70**  
OSC. Comp.

TR<sub>2</sub>  
**2SA101**  
1st I.F. Amp.

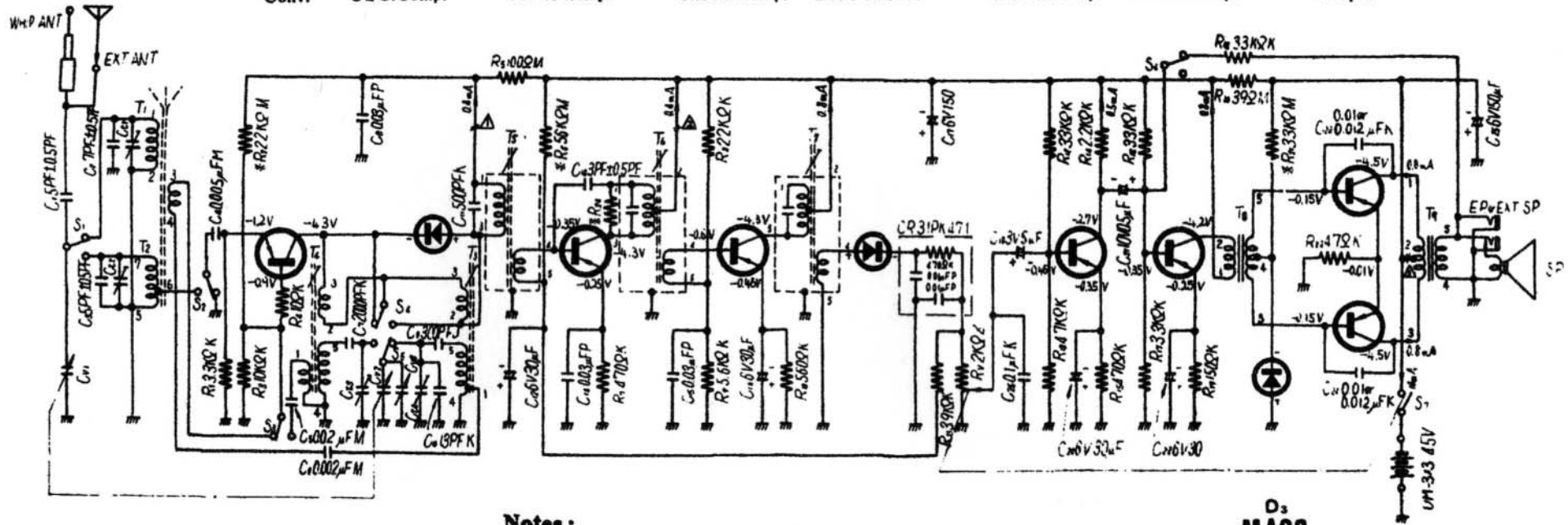
TR<sub>3</sub>  
**2SA101**  
2nd I.F. Amp.

D<sub>2</sub>  
**0A70**  
Det & A.G.C.

TR<sub>4</sub>  
**2SB173**  
1st A.F. Amp.

TR<sub>5</sub>  
**2SB175**  
2nd A.F. Amp.

TR<sub>6</sub> & TR<sub>7</sub>  
**2SB172 × 2**  
Out put



Bottom View

### Notes:

1. S<sub>1</sub> ~ S<sub>11</sub>: Radio band selection switch is now at "MW" position.
2. S<sub>7</sub>: Power switch is now at "OFF" position.
3. Voltages and current indicated are the standard values measured at no signal. They may vary in each radio.
4. Voltages indicated in the schematic diagram are the actual values measured with 10KΩ/V circuit tester.
5. Values of resistor given in the schematic diagram may vary according to radio receiver.

R <sub>2</sub>	18KΩ	22KΩ	27KΩ
R <sub>11</sub>	47KΩ	56KΩ	68KΩ
R <sub>21</sub>	2.7KΩ	3.3KΩ	3.8KΩ

Battery current (I<sub>b</sub>):

at no signal	8 mA
at maximum output	75 mA

D<sub>2</sub>  
**MA23**  
A.O.C.