

NATIONAL T-9

TR-1
2SA102
Conv.

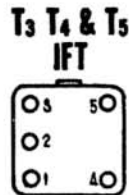
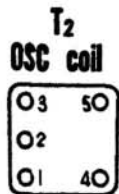
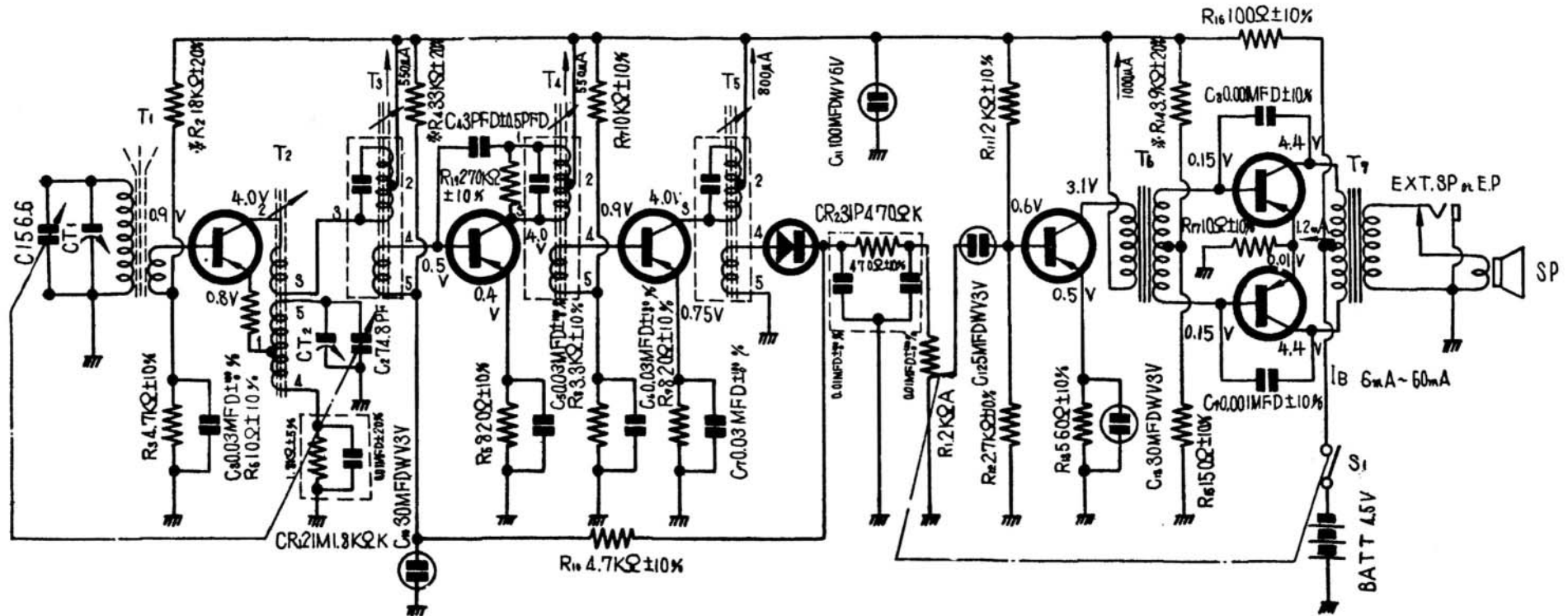
TR-2
2SA102
1st IF Amp.

TR-3
2SA102
2nd IF Amp.

D-1
0A70
Det. & A.G.C.

TR-4
2SB171
A.F. Amp.

TR-5 & TR-6
2SB172x2
Output



BOTTOM VIEW

Notes:

1. S₁: Power switch is now at "OFF" position.
2. Voltages and current indicated are the standard values measured at no signal. They may be slightly variable on each set.
3. * mark (R₂, R₄, R₁₄) resistors are the standard values. They may be slightly variable on each set.