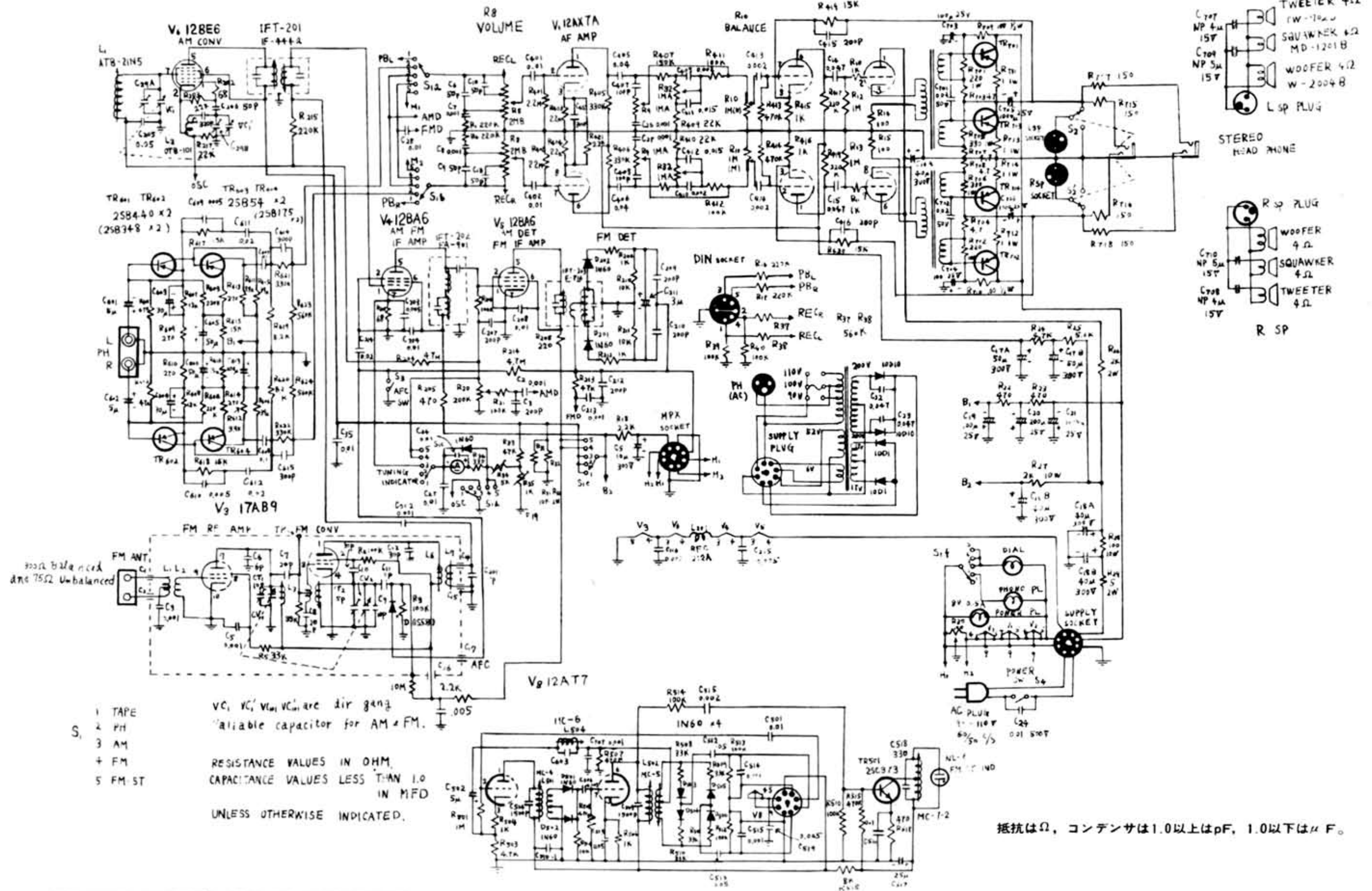


# オンキヨー ST-900

V<sub>2</sub> 12AX7A AF AMP  
V<sub>7</sub> 12BH7A AF AMP  
25B426 X4 POWER AMP



- 1 TAPE
- 2 PH
- 3 AM
- 4 FM
- 5 FM-ST

VC, VC', VC<sub>1</sub>, VC<sub>2</sub> are air gap  
variable capacitor for AM & FM.  
RESISTANCE VALUES IN OHM,  
CAPACITANCE VALUES LESS THAN 1.0  
IN MFD  
UNLESS OTHERWISE INDICATED.

抵抗はΩ, コンデンサは1.0以上はpF, 1.0以下はμF.