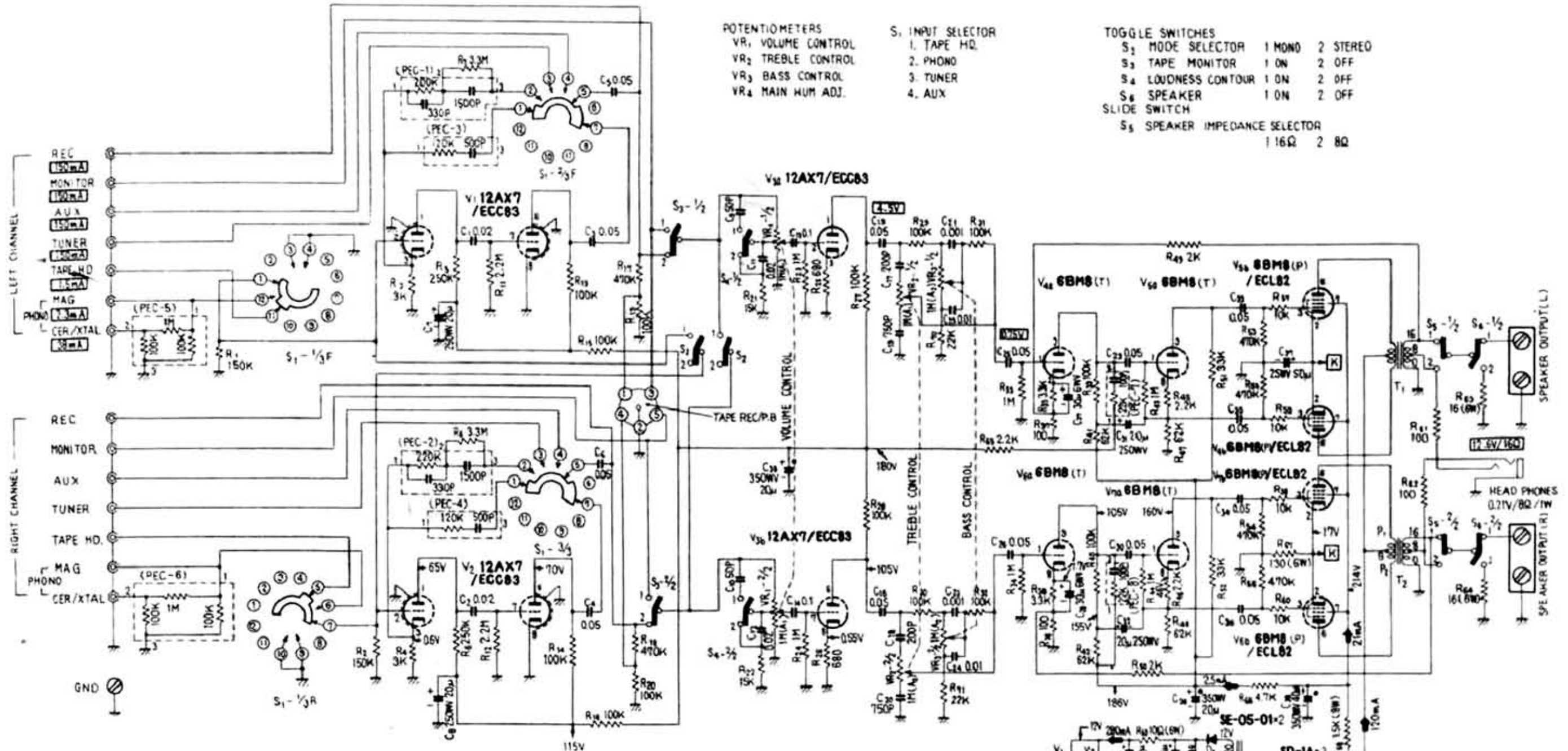


パイオニア SA-40



- POTENTIOMETERS
 VR₁ VOLUME CONTROL
 VR₂ TREBLE CONTROL
 VR₃ BASS CONTROL
 VR₄ MAIN HUM ADJ.
- S₁ INPUT SELECTOR
 1. TAPE HD.
 2. PHONO
 3. TUNER
 4. AUX.

- TOGGLE SWITCHES
 S₂ MODE SELECTOR 1 MONO 2 STEREO
 S₃ TAPE MONITOR 1 ON 2 OFF
 S₄ LOUDNESS CONTOUR 1 ON 2 OFF
 S₅ SPEAKER 1 ON 2 OFF
 SLIDE SWITCH
 S₆ SPEAKER IMPEDANCE SELECTOR
 1 16Ω 2 8Ω

◀ (NO INPUT SIGNAL) DC CURRENT
 → (NO INPUT SIGNAL) DC VOLTAGE
 * ALL VOLTAGE ARE MEASURED WITH V.T.V.M
 * ALL CURRENTS ARE MEASURED WITH PRECISION CURRENT METER
 CAPACITORS
 IN μF UNLESS OTHERWISE NOTED
 P = μμF

RESISTORS
 1/2 WATT UNLESS OTHERWISE NOTED
 K = KILOHM M = MEGOHM
 W = WATT NONMARK - OHM

ITEM NO.	VACANT
R ₁ ~ R ₁₁	R ₂ , R ₁₄
C ₁ ~ C ₄₄	C ₄₄