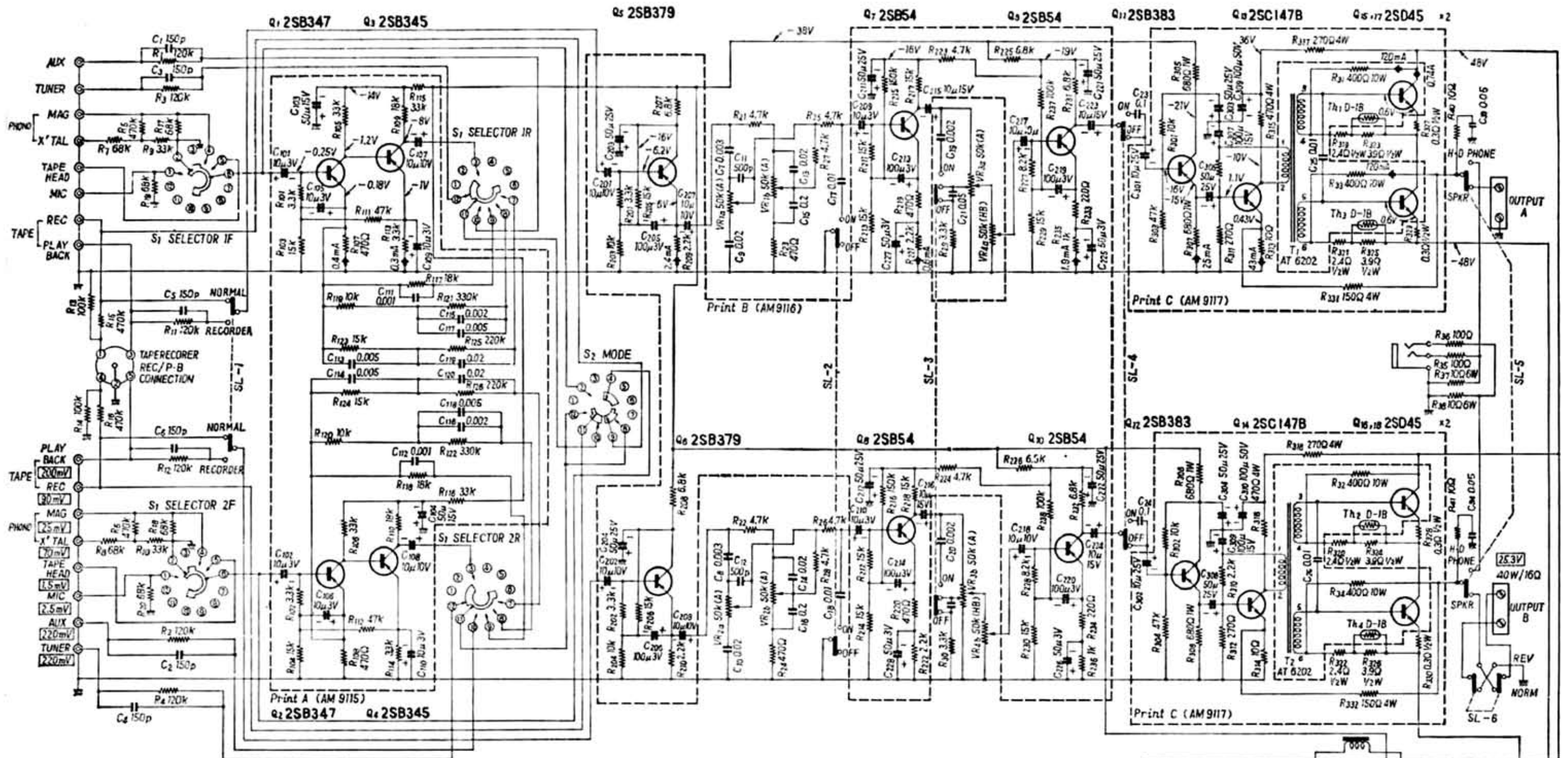


# パイオニア・ステレオ・アンプ SMT-804 型



## VOLTAGES AND CURRENTS READINGS

- ⊖ : DC VOLTAGE
- ⚡ : DIRECT CURRENT
- ⊠ : INPUT VOLTAGE TO ACQUIRE 40W/16Ω OUTPUT
- NO INPUT SIGNAL AT THE SELECTOR PHONO POSITION
- ALL VOLTAGES ARE MEASURED WITH VTVM

POS. NO.	S <sub>1</sub> SELECTOR	S <sub>2</sub> MODE
1	TUNER	STEREO REV
2	PHONO	STEREO NORM
3	TAPE	MONO CH-A
4	MIC	MONO CH-B
5	AUX	MONO A+B

## SLIDE SWITCHES

- SL-1 TAPE MONITOR (NORMAL-RECORDER)
  - SL-2 HIGH FILTER (ON-OFF)
  - SL-3 LOUDNESS CONTOUR (ON-OFF)
  - SL-4 LOW FILTER (ON-OFF)
  - SL-5 SPEAKER-HEADPHONE
  - SL-6 SPEAKER PHASE (NORMAL-REVERSE)
  - SL-7 AC LINE VOLTAGE (100V-117V)
- PUSH SWITCH  
PS-1 POWER (ON-OFF)

- VR<sub>1a, 2a</sub> TREBLE ADJUSTMENTS
- VR<sub>1b, 2b</sub> BASS
- VR<sub>3</sub> VOLUME
- VR<sub>4</sub> BALANCE
- VR<sub>5, 6</sub> PROTECTION CIRCUIT

SECTION	ITEM NO.
1 excepting Printedcircuit	R <sub>1</sub> ~R <sub>41</sub> , C <sub>1</sub> ~C <sub>34</sub>
2 Printedcircuit A (AM 9115)	R <sub>101</sub> ~R <sub>126</sub> , C <sub>101</sub> ~C <sub>120</sub>
3 " B (AM 9116)	R <sub>201</sub> ~R <sub>238</sub> , C <sub>201</sub> ~C <sub>228</sub>
4 " C (AM 9117)	R <sub>301</sub> ~R <sub>332</sub> , C <sub>301</sub> ~C <sub>310</sub>
5 " D (AM 9118)	R <sub>401</sub> ~R <sub>412</sub> , C <sub>401</sub> ~C <sub>403</sub>

