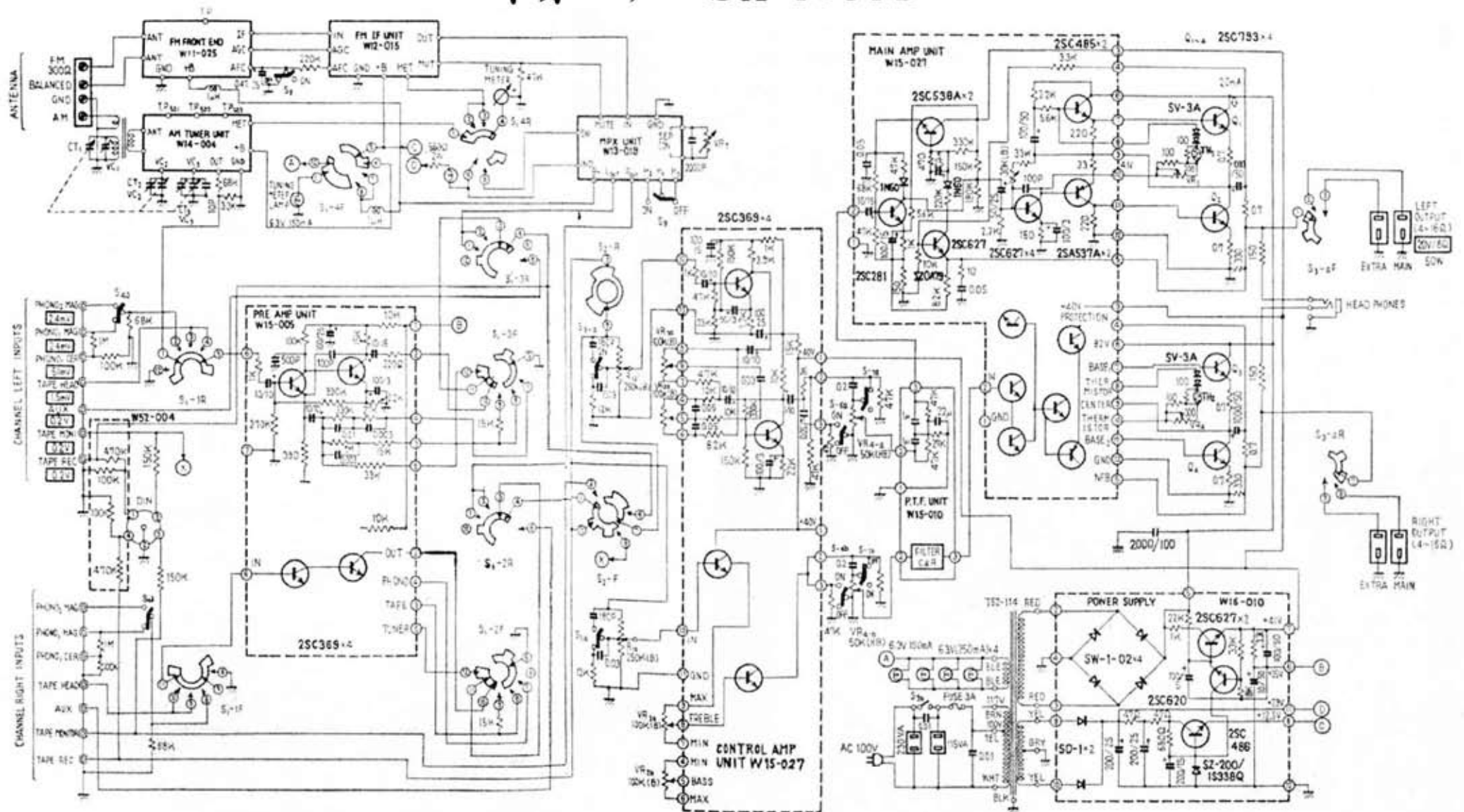


パイオニア SX-100TD



S₁ SELECTOR

- 1) AM
- 2) FM MONO
- 3) FM AUTO
- 4) PHONO
- 5) TAPE HEAD 55cm/s
- 6) TAPE HEAD 18cm/s
- 7) AUX

S₂ MODE SELECTOR

- 1) NORMAL
- 2) RIGHT
- 3) LEFT
- 4) STEREO
- 5) LEFT
- 6) RIGHT

S₃ OUT PUT SELECTOR

- 1) POWER OFF
- 2) MAIN
- 3) EXTRA
- 4) MAIN & EXTRA
- 5) SPEAKER OFF

TOGGLE SWITCHES

- S₄ PHONO MONITOR ON - OFF
- S₅ LOUDNESS CONTROL ON - OFF
- S₆ HIGH CUT FILTER ON - OFF
- S₇ LOW CUT FILTER ON - OFF
- S₈ AFC ON - OFF
- S₉ MUTING ON - OFF

POTENTIOMETER

- VR₁ MAIN VOLUME
- VR₂ BASS CONTROL
- VR₃ TREBLE CONTROL
- VR₄ BALANCE CONTROL
- VR₅ IDLE CURRENT CONTROL
- VR₇ SEPARATION CONTROL

RESISTORS

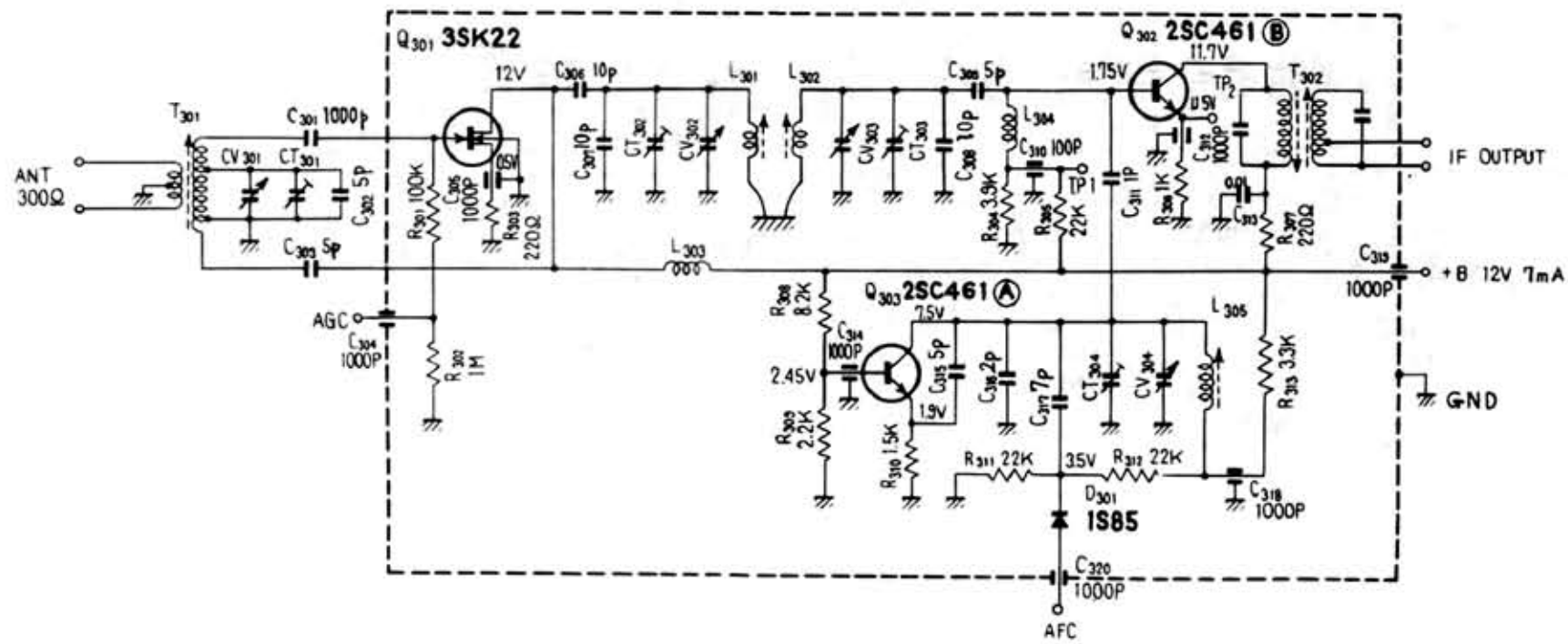
- NON MARK: Ω OHM
- K: KILOHM
- M: MEG OHM
- W: WATT

CAPACITORS

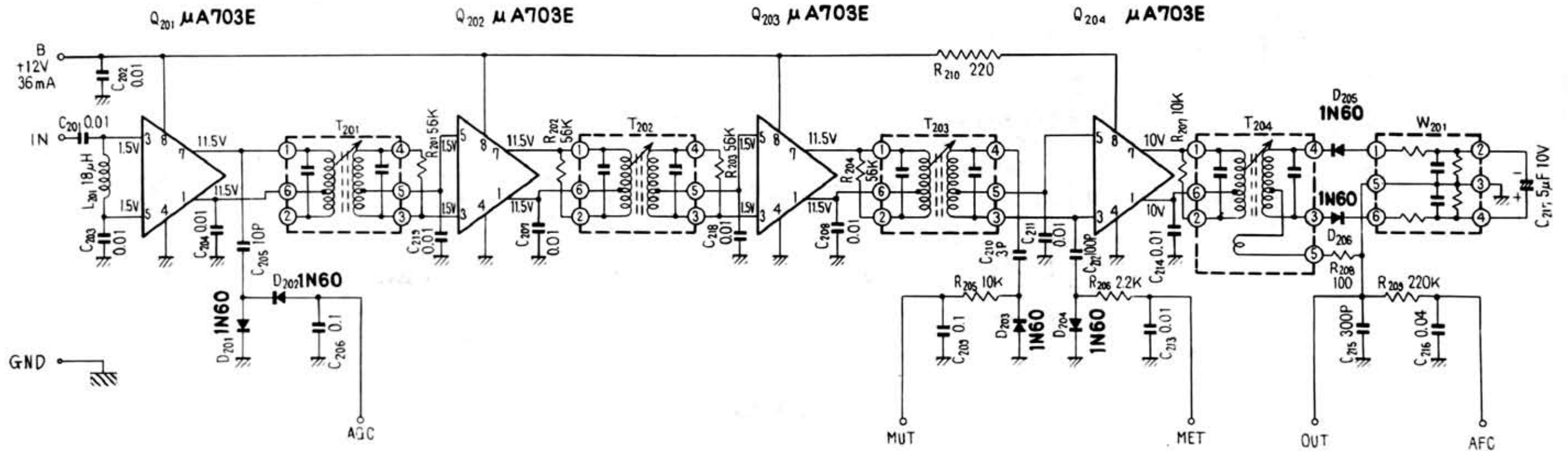
- P: PICO FARAD
- μ: MICRO FARAD

パイオニア SX-100TD

FMフロントエンド部

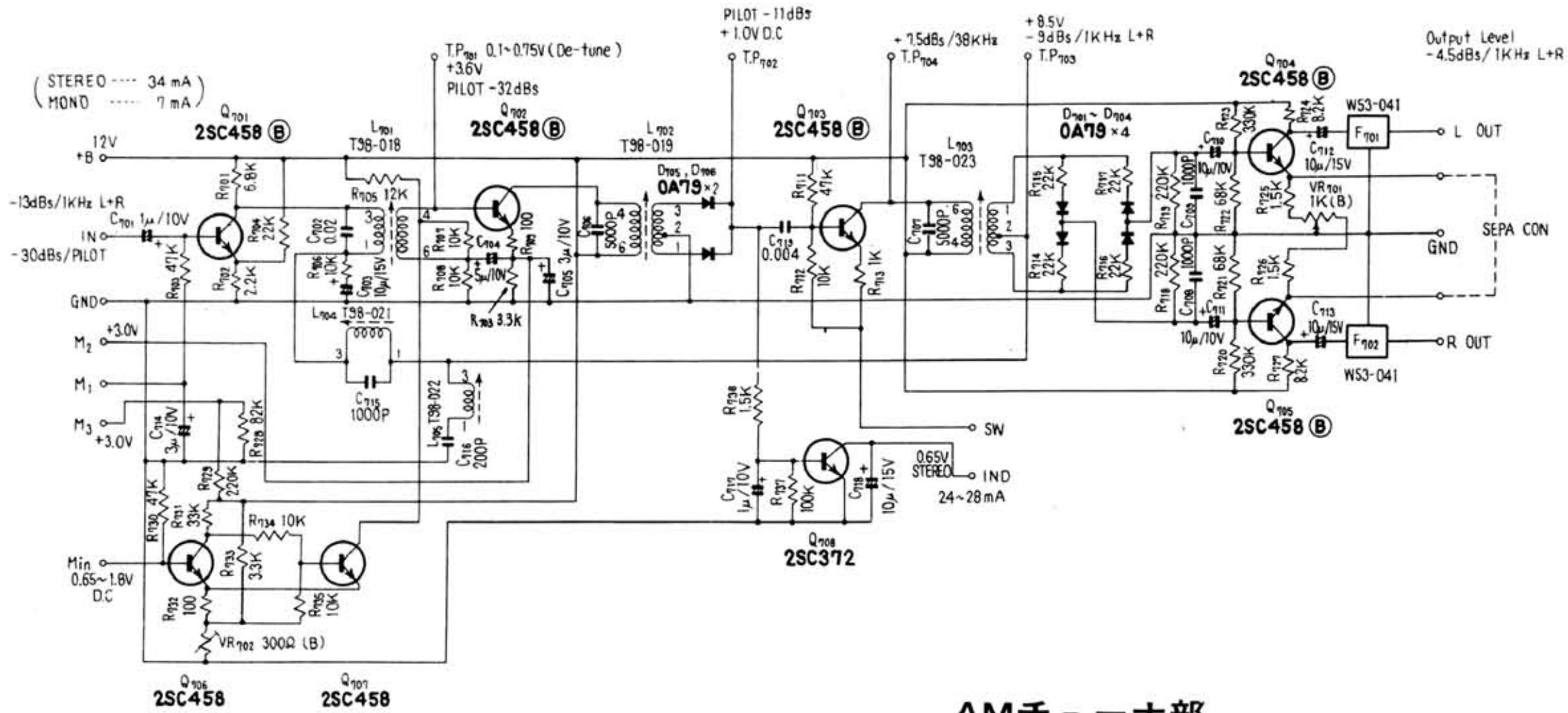


FM IF部

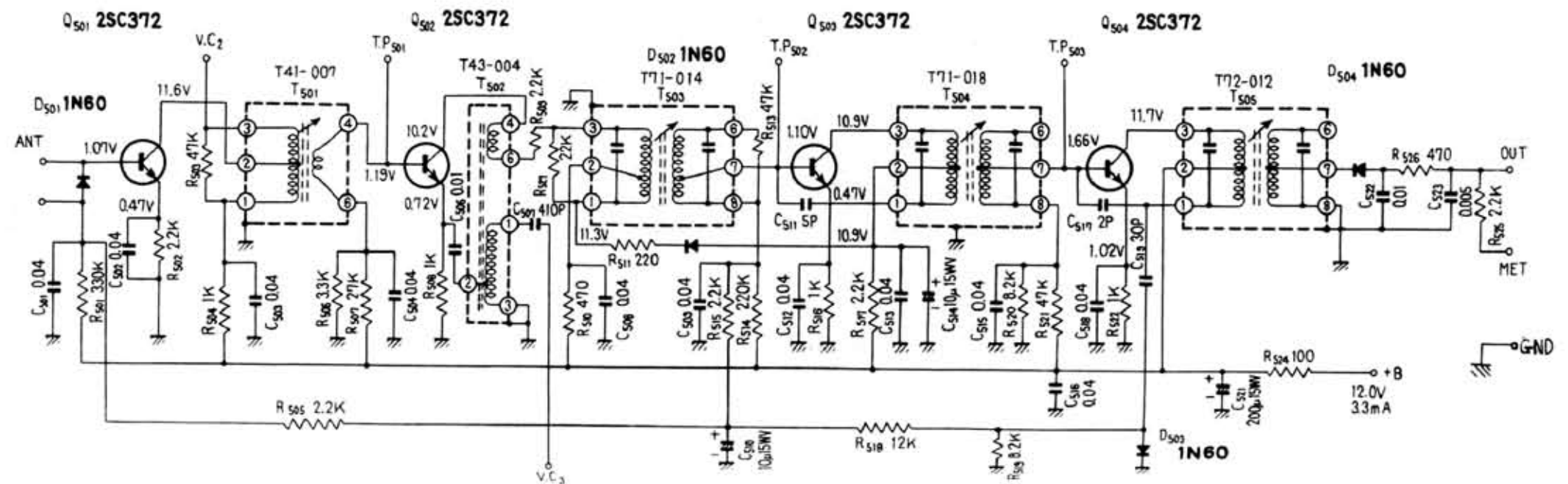


パイオニア SX-100TD

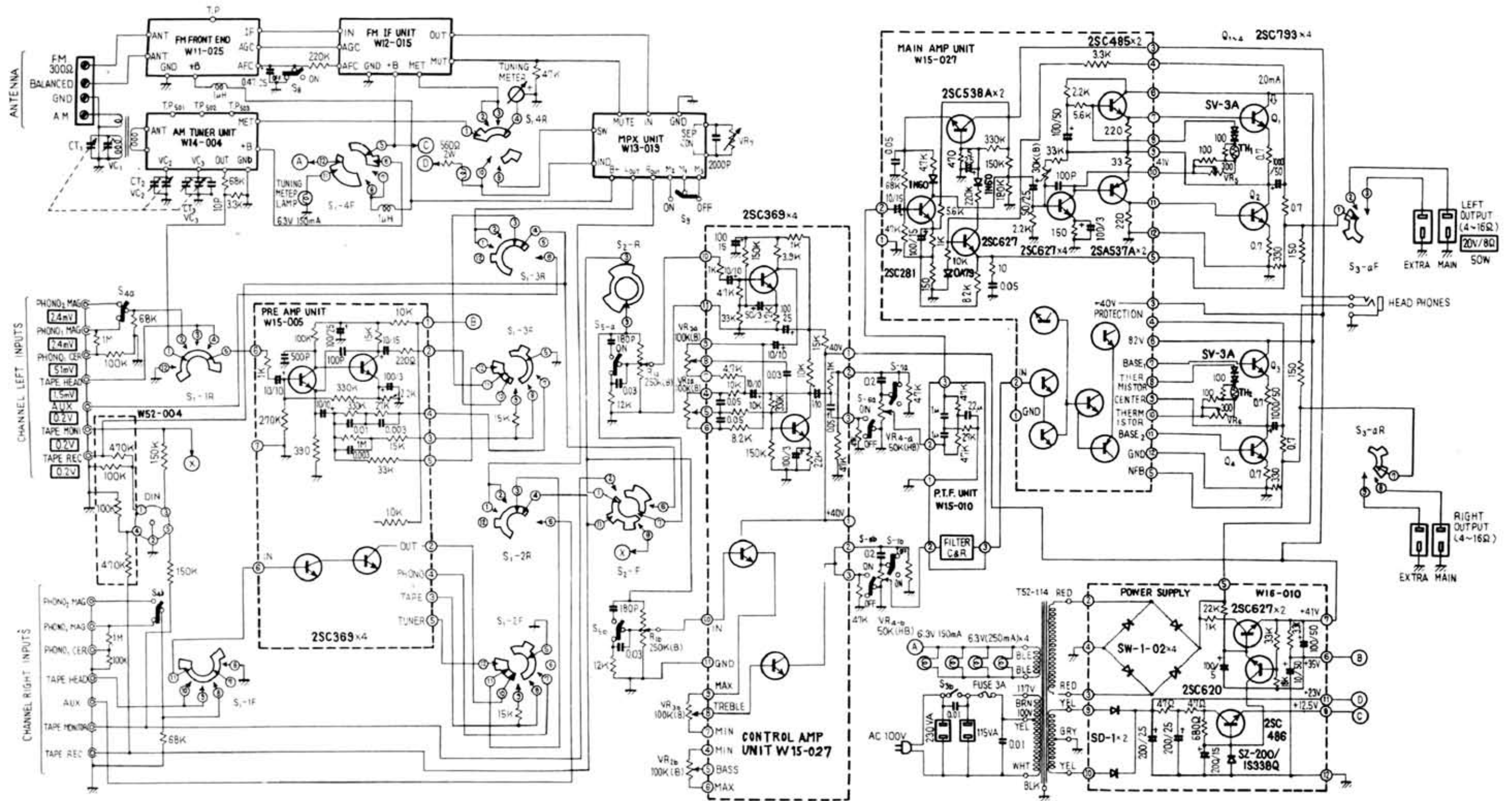
MPX部



AMチューナー部



パイオニア SX-100TD



S₁ SELECTOR

- 1) AM
- 2) FM MONO
- 3) FM AUTO
- 4) PHONO
- 5) TAPE HEAD 35cm/s
- 6) TAPE HEAD 19cm/s
- 7) AUX

S₂ MODE SELECTOR

- | | |
|-----------|-----------|
| NORMAL | MONITOR |
| 1) RIGHT | 4) STEREO |
| 2) LEFT | 5) LEFT |
| 3) STEREO | 6) RIGHT |

S₃ OUT PUT SELECTOR

- 1) POWER OFF
- 2) MAIN
- 3) EXTRA
- 4) MAIN & EXTRA
- 5) SPEAKER OFF

TOGGLE SWITCHES

- | | |
|---------------------------------|----------|
| S ₄ PHONO | 1 ~ 2 |
| S ₅ LOUDNESS CONTOUR | ON ~ OFF |
| S ₆ HIGH CUT FILTER | ON ~ OFF |
| S ₇ LOW CUT FILTER | ON ~ OFF |
| S ₈ AFC | ON ~ OFF |
| S ₉ MUTING | ON ~ OFF |

POTENTIOMETER

- | | |
|--------------------------------------|--|
| VR ₁ MAIN VOLUME | |
| VR ₂ BASS CONTROL | |
| VR ₃ TREBLE CONTROL | |
| VR ₄ BALANCE CONTROL | |
| VR ₅ IDLE CURRENT CONTROL | |
| VR ₇ SEPARATION CONTROL | |

RESISTORS

- NON MARK : OHM
 K : KILOHM
 M : MEGOHM
 W : WATT

CAPACITORS

- P : PICO FARAD
 μ : MICRO FARAD