

TRANSISTORS
 1. 2N3638
 2. 2N3639
 3. 2N3640
 4. 2N3641
 5. 2N3642
 6. 2N3643
 7. 2N3644
 8. 2N3645
 9. 2N3646
 10. 2N3647
 11. 2N3648
 12. 2N3649
 13. 2N3650
 14. 2N3651
 15. 2N3652
 16. 2N3653
 17. 2N3654
 18. 2N3655
 19. 2N3656
 20. 2N3657
 21. 2N3658
 22. 2N3659
 23. 2N3660
 24. 2N3661
 25. 2N3662
 26. 2N3663
 27. 2N3664
 28. 2N3665
 29. 2N3666
 30. 2N3667
 31. 2N3668
 32. 2N3669
 33. 2N3670
 34. 2N3671
 35. 2N3672
 36. 2N3673
 37. 2N3674
 38. 2N3675
 39. 2N3676
 40. 2N3677
 41. 2N3678
 42. 2N3679
 43. 2N3680
 44. 2N3681
 45. 2N3682
 46. 2N3683
 47. 2N3684
 48. 2N3685
 49. 2N3686
 50. 2N3687
 51. 2N3688
 52. 2N3689
 53. 2N3690
 54. 2N3691
 55. 2N3692
 56. 2N3693
 57. 2N3694
 58. 2N3695
 59. 2N3696
 60. 2N3697
 61. 2N3698
 62. 2N3699
 63. 2N3700

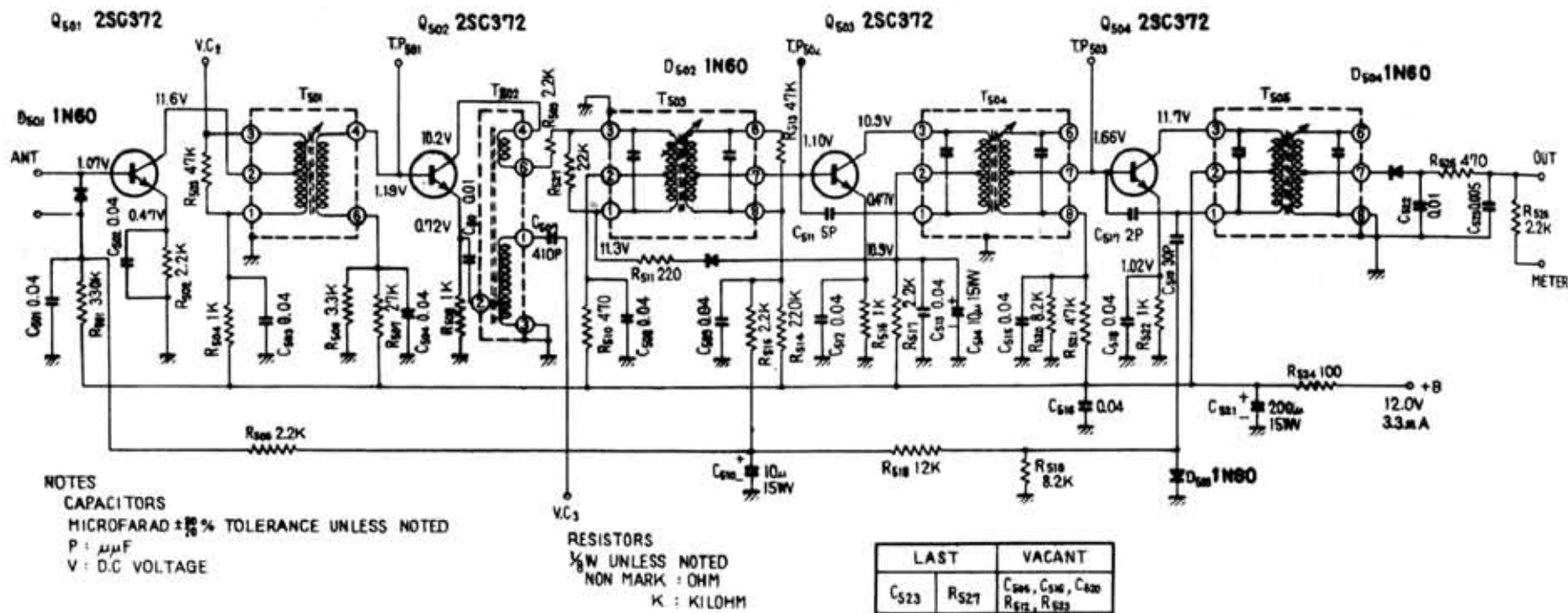
RELAYS
 1. R-1
 2. R-2
 3. R-3
 4. R-4
 5. R-5
 6. R-6
 7. R-7
 8. R-8
 9. R-9
 10. R-10
 11. R-11
 12. R-12
 13. R-13
 14. R-14
 15. R-15
 16. R-16
 17. R-17
 18. R-18
 19. R-19
 20. R-20
 21. R-21
 22. R-22
 23. R-23
 24. R-24
 25. R-25
 26. R-26
 27. R-27
 28. R-28
 29. R-29
 30. R-30
 31. R-31
 32. R-32
 33. R-33
 34. R-34
 35. R-35
 36. R-36
 37. R-37
 38. R-38
 39. R-39
 40. R-40
 41. R-41
 42. R-42
 43. R-43
 44. R-44
 45. R-45
 46. R-46
 47. R-47
 48. R-48
 49. R-49
 50. R-50
 51. R-51
 52. R-52
 53. R-53
 54. R-54
 55. R-55
 56. R-56
 57. R-57
 58. R-58
 59. R-59
 60. R-60
 61. R-61
 62. R-62
 63. R-63
 64. R-64
 65. R-65
 66. R-66
 67. R-67
 68. R-68
 69. R-69
 70. R-70
 71. R-71
 72. R-72
 73. R-73
 74. R-74
 75. R-75
 76. R-76
 77. R-77
 78. R-78
 79. R-79
 80. R-80
 81. R-81
 82. R-82
 83. R-83
 84. R-84
 85. R-85
 86. R-86
 87. R-87
 88. R-88
 89. R-89
 90. R-90
 91. R-91
 92. R-92
 93. R-93
 94. R-94
 95. R-95
 96. R-96
 97. R-97
 98. R-98
 99. R-99
 100. R-100

SWITCHES
 1. S-1
 2. S-2
 3. S-3
 4. S-4
 5. S-5
 6. S-6
 7. S-7
 8. S-8
 9. S-9
 10. S-10
 11. S-11
 12. S-12
 13. S-13
 14. S-14
 15. S-15
 16. S-16
 17. S-17
 18. S-18
 19. S-19
 20. S-20
 21. S-21
 22. S-22
 23. S-23
 24. S-24
 25. S-25
 26. S-26
 27. S-27
 28. S-28
 29. S-29
 30. S-30
 31. S-31
 32. S-32
 33. S-33
 34. S-34
 35. S-35
 36. S-36
 37. S-37
 38. S-38
 39. S-39
 40. S-40
 41. S-41
 42. S-42
 43. S-43
 44. S-44
 45. S-45
 46. S-46
 47. S-47
 48. S-48
 49. S-49
 50. S-50
 51. S-51
 52. S-52
 53. S-53
 54. S-54
 55. S-55
 56. S-56
 57. S-57
 58. S-58
 59. S-59
 60. S-60
 61. S-61
 62. S-62
 63. S-63
 64. S-64
 65. S-65
 66. S-66
 67. S-67
 68. S-68
 69. S-69
 70. S-70
 71. S-71
 72. S-72
 73. S-73
 74. S-74
 75. S-75
 76. S-76
 77. S-77
 78. S-78
 79. S-79
 80. S-80
 81. S-81
 82. S-82
 83. S-83
 84. S-84
 85. S-85
 86. S-86
 87. S-87
 88. S-88
 89. S-89
 90. S-90
 91. S-91
 92. S-92
 93. S-93
 94. S-94
 95. S-95
 96. S-96
 97. S-97
 98. S-98
 99. S-99
 100. S-100

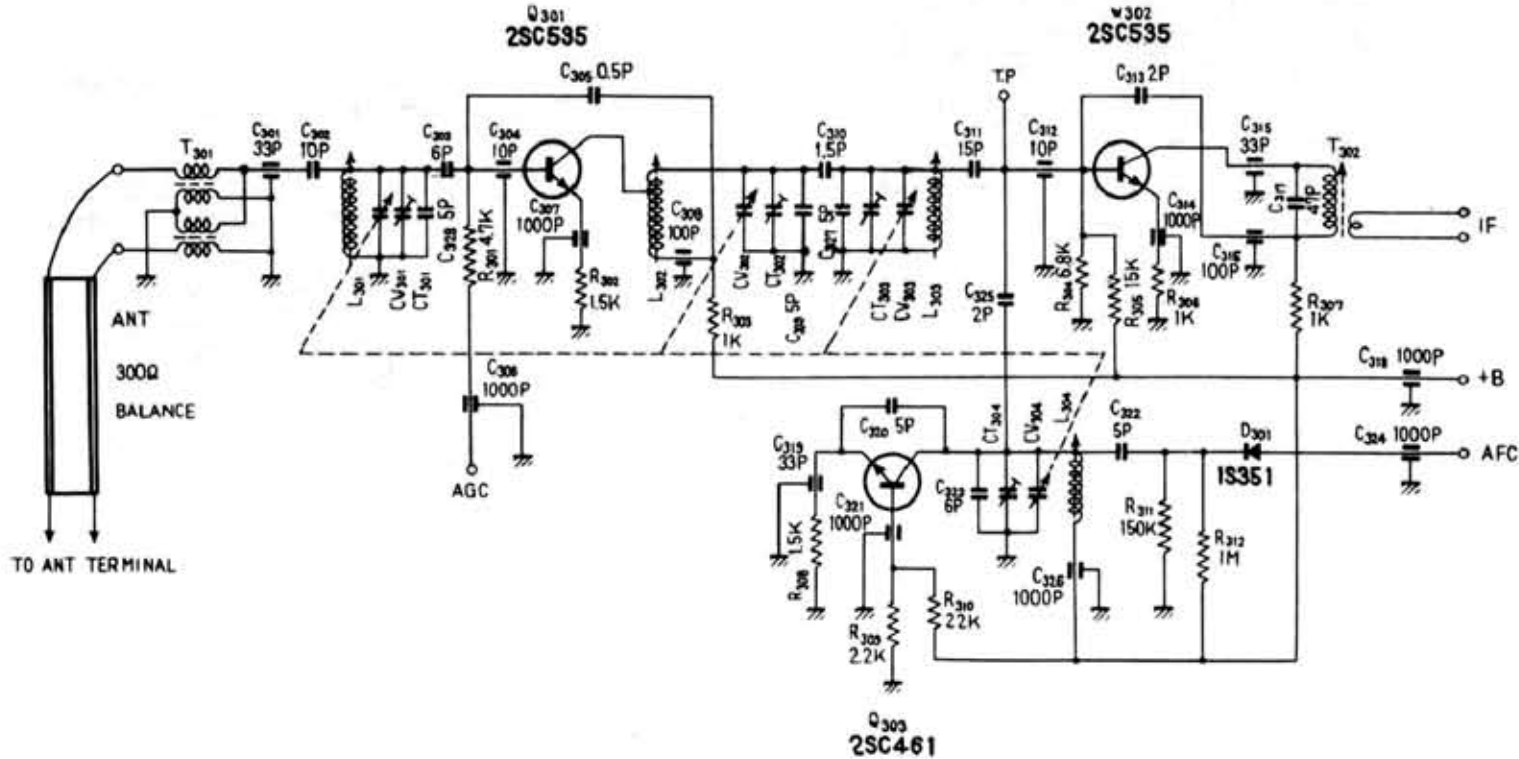
RESISTORS
 1. 100Ω
 2. 200Ω
 3. 300Ω
 4. 400Ω
 5. 500Ω
 6. 600Ω
 7. 700Ω
 8. 800Ω
 9. 900Ω
 10. 1kΩ
 11. 2kΩ
 12. 3kΩ
 13. 4kΩ
 14. 5kΩ
 15. 6kΩ
 16. 7kΩ
 17. 8kΩ
 18. 9kΩ
 19. 10kΩ
 20. 15kΩ
 21. 20kΩ
 22. 30kΩ
 23. 40kΩ
 24. 50kΩ
 25. 60kΩ
 26. 70kΩ
 27. 80kΩ
 28. 90kΩ
 29. 100kΩ
 30. 150kΩ
 31. 200kΩ
 32. 300kΩ
 33. 400kΩ
 34. 500kΩ
 35. 600kΩ
 36. 700kΩ
 37. 800kΩ
 38. 900kΩ
 39. 1MΩ
 40. 1.5MΩ
 41. 2MΩ
 42. 3MΩ
 43. 4MΩ
 44. 5MΩ
 45. 6MΩ
 46. 7MΩ
 47. 8MΩ
 48. 9MΩ
 49. 10MΩ
 50. 15MΩ
 51. 20MΩ
 52. 30MΩ
 53. 40MΩ
 54. 50MΩ
 55. 60MΩ
 56. 70MΩ
 57. 80MΩ
 58. 90MΩ
 59. 100MΩ
 60. 150MΩ
 61. 200MΩ
 62. 300MΩ
 63. 400MΩ
 64. 500MΩ
 65. 600MΩ
 66. 700MΩ
 67. 800MΩ
 68. 900MΩ
 69. 1GΩ
 70. 1.5GΩ
 71. 2GΩ
 72. 3GΩ
 73. 4GΩ
 74. 5GΩ
 75. 6GΩ
 76. 7GΩ
 77. 8GΩ
 78. 9GΩ
 79. 10GΩ
 80. 15GΩ
 81. 20GΩ
 82. 30GΩ
 83. 40GΩ
 84. 50GΩ
 85. 60GΩ
 86. 70GΩ
 87. 80GΩ
 88. 90GΩ
 89. 100GΩ
 90. 150GΩ
 91. 200GΩ
 92. 300GΩ
 93. 400GΩ
 94. 500GΩ
 95. 600GΩ
 96. 700GΩ
 97. 800GΩ
 98. 900GΩ
 99. 1TΩ
 100. 1.5TΩ
 101. 2TΩ
 102. 3TΩ
 103. 4TΩ
 104. 5TΩ
 105. 6TΩ
 106. 7TΩ
 107. 8TΩ
 108. 9TΩ
 109. 10TΩ
 110. 15TΩ
 111. 20TΩ
 112. 30TΩ
 113. 40TΩ
 114. 50TΩ
 115. 60TΩ
 116. 70TΩ
 117. 80TΩ
 118. 90TΩ
 119. 100TΩ
 120. 150TΩ
 121. 200TΩ
 122. 300TΩ
 123. 400TΩ
 124. 500TΩ
 125. 600TΩ
 126. 700TΩ
 127. 800TΩ
 128. 900TΩ
 129. 1PΩ
 130. 1.5PΩ
 131. 2PΩ
 132. 3PΩ
 133. 4PΩ
 134. 5PΩ
 135. 6PΩ
 136. 7PΩ
 137. 8PΩ
 138. 9PΩ
 139. 10PΩ
 140. 15PΩ
 141. 20PΩ
 142. 30PΩ
 143. 40PΩ
 144. 50PΩ
 145. 60PΩ
 146. 70PΩ
 147. 80PΩ
 148. 90PΩ
 149. 100PΩ
 150. 150PΩ
 151. 200PΩ
 152. 300PΩ
 153. 400PΩ
 154. 500PΩ
 155. 600PΩ
 156. 700PΩ
 157. 800PΩ
 158. 900PΩ
 159. 1000PΩ
 160. 1500PΩ
 161. 2000PΩ
 162. 3000PΩ
 163. 4000PΩ
 164. 5000PΩ
 165. 6000PΩ
 166. 7000PΩ
 167. 8000PΩ
 168. 9000PΩ
 169. 10000PΩ
 170. 15000PΩ
 171. 20000PΩ
 172. 30000PΩ
 173. 40000PΩ
 174. 50000PΩ
 175. 60000PΩ
 176. 70000PΩ
 177. 80000PΩ
 178. 90000PΩ
 179. 100000PΩ
 180. 150000PΩ
 181. 200000PΩ
 182. 300000PΩ
 183. 400000PΩ
 184. 500000PΩ
 185. 600000PΩ
 186. 700000PΩ
 187. 800000PΩ
 188. 900000PΩ
 189. 1000000PΩ
 190. 1500000PΩ
 191. 2000000PΩ
 192. 3000000PΩ
 193. 4000000PΩ
 194. 5000000PΩ
 195. 6000000PΩ
 196. 7000000PΩ
 197. 8000000PΩ
 198. 9000000PΩ
 199. 10000000PΩ
 200. 15000000PΩ
 201. 20000000PΩ
 202. 30000000PΩ
 203. 40000000PΩ
 204. 50000000PΩ
 205. 60000000PΩ
 206. 70000000PΩ
 207. 80000000PΩ
 208. 90000000PΩ
 209. 100000000PΩ
 210. 150000000PΩ
 211. 200000000PΩ
 212. 300000000PΩ
 213. 400000000PΩ
 214. 500000000PΩ
 215. 600000000PΩ
 216. 700000000PΩ
 217. 800000000PΩ
 218. 900000000PΩ
 219. 1000000000PΩ
 220. 1500000000PΩ
 221. 2000000000PΩ
 222. 3000000000PΩ
 223. 4000000000PΩ
 224. 5000000000PΩ
 225. 6000000000PΩ
 226. 7000000000PΩ
 227. 8000000000PΩ
 228. 9000000000PΩ
 229. 10000000000PΩ
 230. 15000000000PΩ
 231. 20000000000PΩ
 232. 30000000000PΩ
 233. 40000000000PΩ
 234. 50000000000PΩ
 235. 60000000000PΩ
 236. 70000000000PΩ
 237. 80000000000PΩ
 238. 90000000000PΩ
 239. 100000000000PΩ
 240. 150000000000PΩ
 241. 200000000000PΩ
 242. 300000000000PΩ
 243. 400000000000PΩ
 244. 500000000000PΩ
 245. 600000000000PΩ
 246. 700000000000PΩ
 247. 800000000000PΩ
 248. 900000000000PΩ
 249. 1000000000000PΩ
 250. 1500000000000PΩ
 251. 2000000000000PΩ
 252. 3000000000000PΩ
 253. 4000000000000PΩ
 254. 5000000000000PΩ
 255. 6000000000000PΩ
 256. 7000000000000PΩ
 257. 8000000000000PΩ
 258. 9000000000000PΩ
 259. 10000000000000PΩ
 260. 15000000000000PΩ
 261. 20000000000000PΩ
 262. 30000000000000PΩ
 263. 40000000000000PΩ
 264. 50000000000000PΩ
 265. 60000000000000PΩ
 266. 70000000000000PΩ
 267. 80000000000000PΩ
 268. 90000000000000PΩ
 269. 100000000000000PΩ
 270. 150000000000000PΩ
 271. 200000000000000PΩ
 272. 300000000000000PΩ
 273. 400000000000000PΩ
 274. 500000000000000PΩ
 275. 600000000000000PΩ
 276. 700000000000000PΩ
 277. 800000000000000PΩ
 278. 900000000000000PΩ
 279. 1000000000000000PΩ
 280. 1500000000000000PΩ
 281. 2000000000000000PΩ
 282. 3000000000000000PΩ
 283. 4000000000000000PΩ
 284. 5000000000000000PΩ
 285. 6000000000000000PΩ
 286. 7000000000000000PΩ
 287. 8000000000000000PΩ
 288. 9000000000000000PΩ
 289. 10000000000000000PΩ
 290. 15000000000000000PΩ
 291. 20000000000000000PΩ
 292. 30000000000000000PΩ
 293. 40000000000000000PΩ
 294. 50000000000000000PΩ
 295. 60000000000000000PΩ
 296. 70000000000000000PΩ
 297. 80000000000000000PΩ
 298. 90000000000000000PΩ
 299. 100000000000000000PΩ
 300. 150000000000000000PΩ
 301. 200000000000000000PΩ
 302. 300000000000000000PΩ
 303. 400000000000000000PΩ
 304. 500000000000000000PΩ
 305. 600000000000000000PΩ
 306. 700000000000000000PΩ
 307. 800000000000000000PΩ
 308. 900000000000000000PΩ
 309. 1000000000000000000PΩ
 310. 1500000000000000000PΩ
 311. 2000000000000000000PΩ
 312. 3000000000000000000PΩ
 313. 4000000000000000000PΩ
 314. 5000000000000000000PΩ
 315. 6000000000000000000PΩ
 316. 7000000000000000000PΩ
 317. 8000000000000000000PΩ
 318. 9000000000000000000PΩ
 319. 10000000000000000000PΩ
 320. 15000000000000000000PΩ
 321. 20000000000000000000PΩ
 322. 30000000000000000000PΩ
 323. 40000000000000000000PΩ
 324. 50000000000000000000PΩ
 325. 60000000000000000000PΩ
 326. 70000000000000000000PΩ
 327. 80000000000000000000PΩ
 328. 90000000000000000000PΩ
 329. 100000000000000000000PΩ
 330. 150000000000000000000PΩ
 331. 200000000000000000000PΩ
 332. 300000000000000000000PΩ
 333. 400000000000000000000PΩ
 334. 500000000000000000000PΩ
 335. 600000000000000000000PΩ
 336. 700000000000000000000PΩ
 337. 800000000000000000000PΩ
 338. 900000000000000000000PΩ
 339. 1000000000000000000000PΩ
 340. 1500000000000000000000PΩ
 341. 2000000000000000000000PΩ
 342. 3000000000000000000000PΩ
 343. 4000000000000000000000PΩ
 344. 5000000000000000000000PΩ
 345. 6000000000000000000000PΩ
 346. 7000000000000000000000PΩ
 347. 8000000000000000000000PΩ
 348. 9000000000000000000000PΩ
 349. 10000000000000000000000PΩ
 350. 15000000000000000000000PΩ
 351. 20000000000000000000000PΩ
 352. 30000000000000000000000PΩ
 353. 40000000000000000000000PΩ
 354. 50000000000000000000000PΩ
 355. 60000000000000000000000PΩ
 356. 70000000000000000000000PΩ
 357. 80000000000000000000000PΩ
 358. 90000000000000000000000PΩ
 359. 100000000000000000000000PΩ
 360. 150000000000000000000000PΩ
 361. 200000000000000000000000PΩ
 362. 300000000000000000000000PΩ
 363. 400000000000000000000000PΩ
 364. 500000000000000000000000PΩ
 365. 600000000000000000000000PΩ
 366. 700000000000000000000000PΩ
 367. 800000000000000000000000PΩ
 368. 900000000000000000000000PΩ
 369. 1000000000000000000000000PΩ
 370. 1500000000000000000000000PΩ
 371. 2000000000000000000000000PΩ
 372. 3000000000000000000000000PΩ
 373. 4000000000000000000000000PΩ
 374. 5000000000000000000000000PΩ
 375. 6000000000000000000000000PΩ
 376. 7000000000000000000000000PΩ
 377. 8000000000000000000000000PΩ
 378. 9000000000000000000000000PΩ
 379. 10000000000000000000000000PΩ
 380. 15000000000000000000000000PΩ
 381. 20000000000000000000000000PΩ
 382. 30000000000000000000000000PΩ
 383. 40000000000000000000000000PΩ
 384. 50000000000000000000000000PΩ
 385. 60000000000000000000000000PΩ
 386. 70000000000000000000000000PΩ
 387. 80000000000000000000000000PΩ
 388. 90000000000000000000000000PΩ
 389. 100000000000000000000000000PΩ
 390. 150000000000000000000000000PΩ
 391. 200000000000000000000000000PΩ
 392. 300000000000000000000000000PΩ
 393. 400000000000000000000000000PΩ
 394. 500000000000000000000000000PΩ
 395. 600000000000000000000000000PΩ
 396. 700000000000000000000000000PΩ
 397. 800000000000000000000000000PΩ
 398. 900000000000000000000000000PΩ
 399. 1000000000000000000000000000PΩ
 400. 1500000000000000000000000000PΩ
 401. 2000000000000000000000000000PΩ
 402. 3000000000000000000000000000PΩ
 403. 4000000000000000000000000000PΩ
 404. 500

パイオニア SX-70T

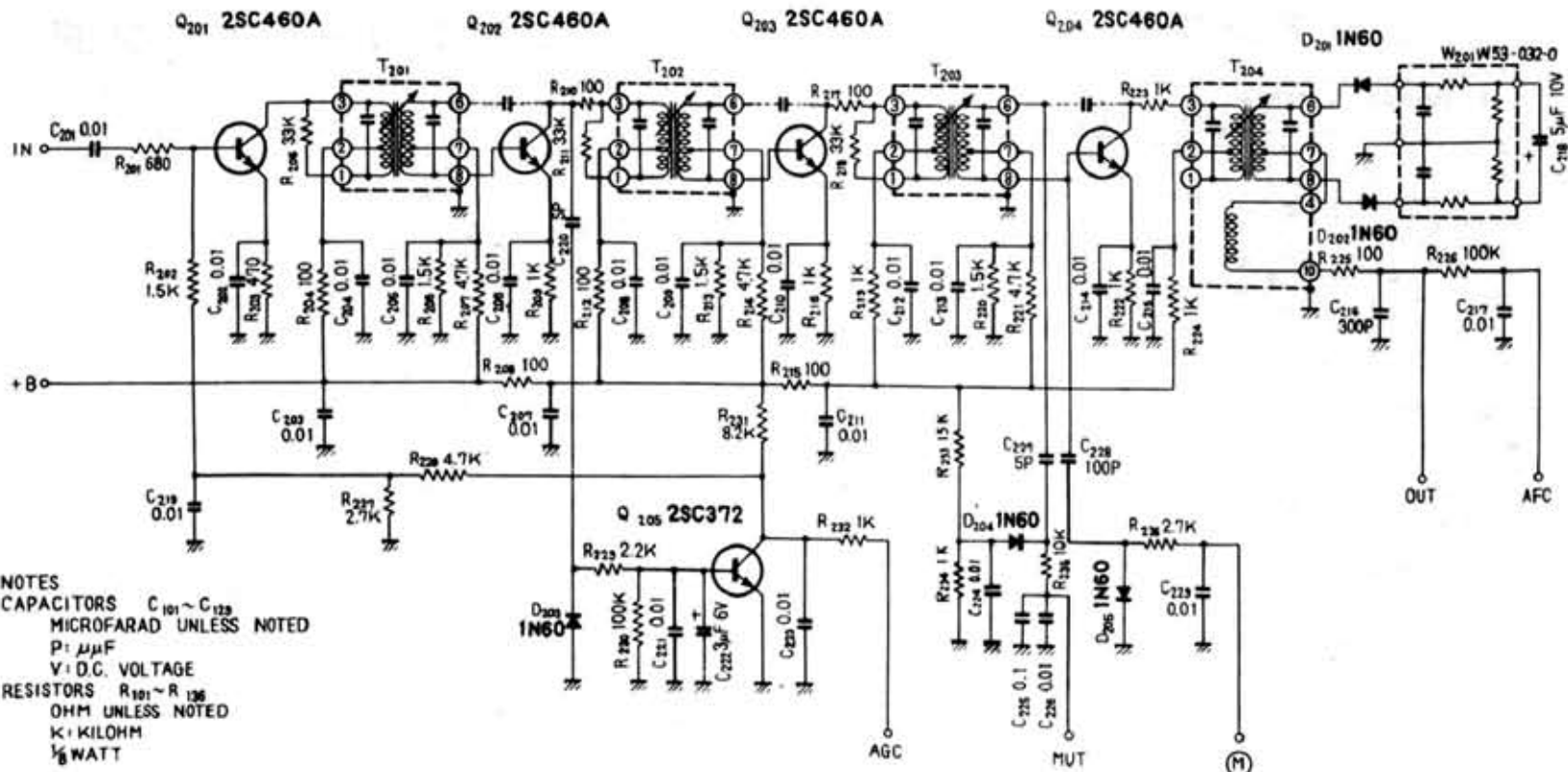
AMチューナ部

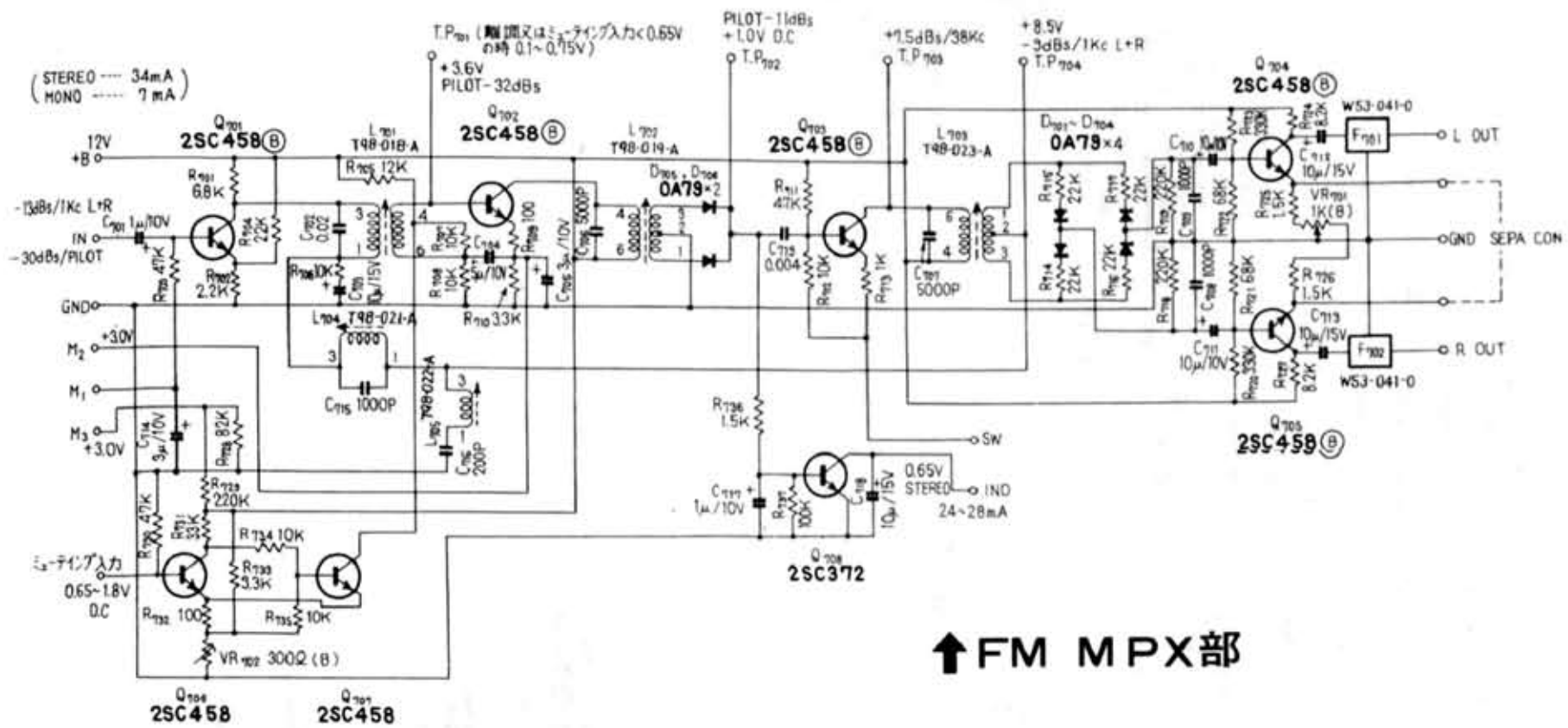


FMフロントエンド部

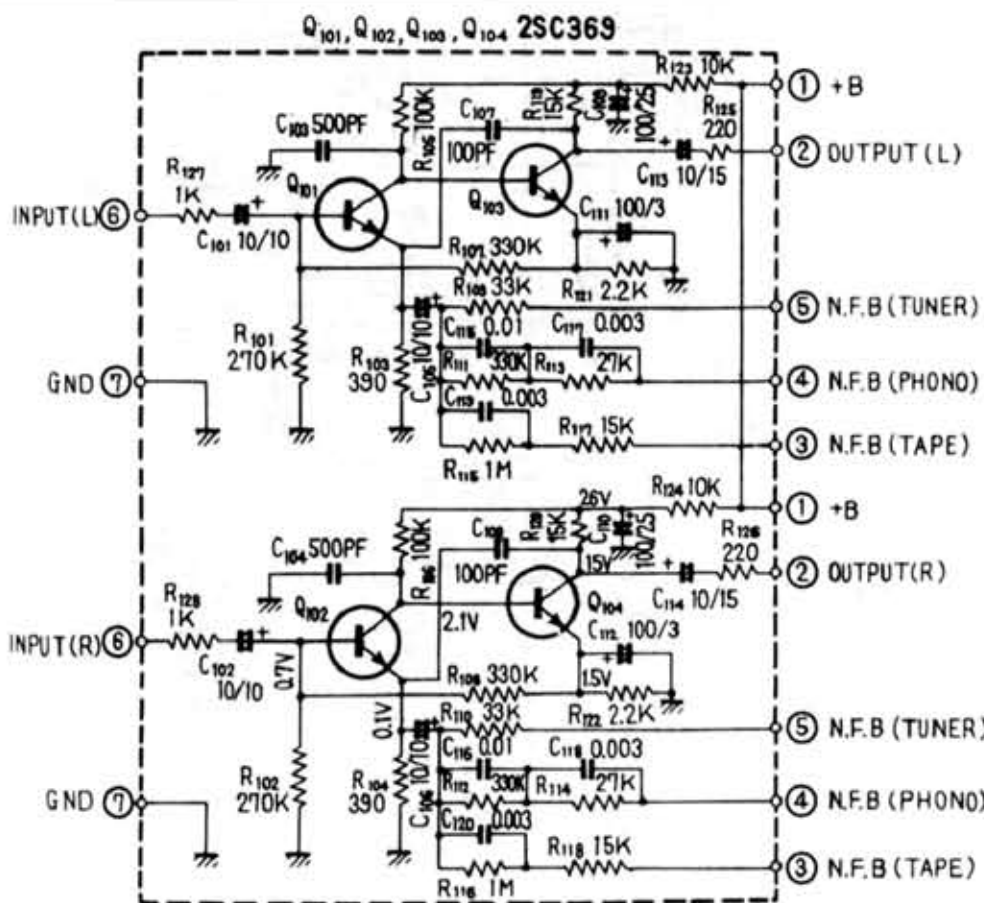


FM IF部



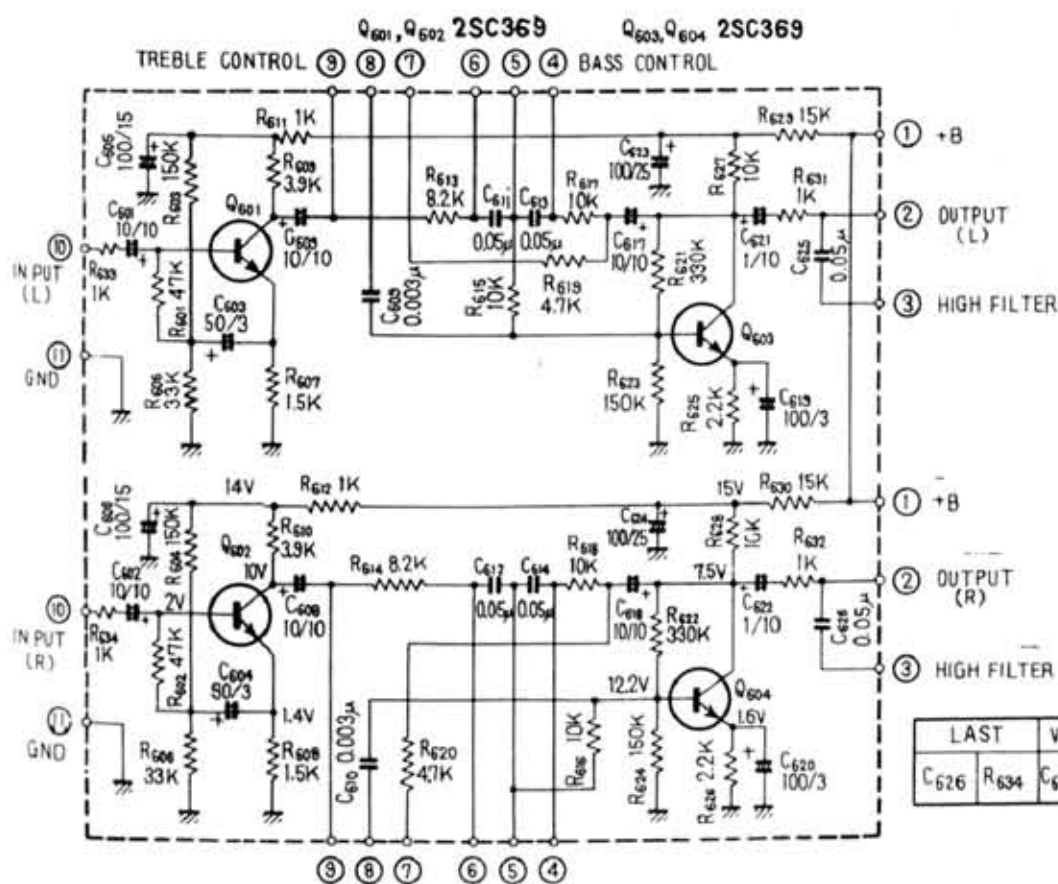
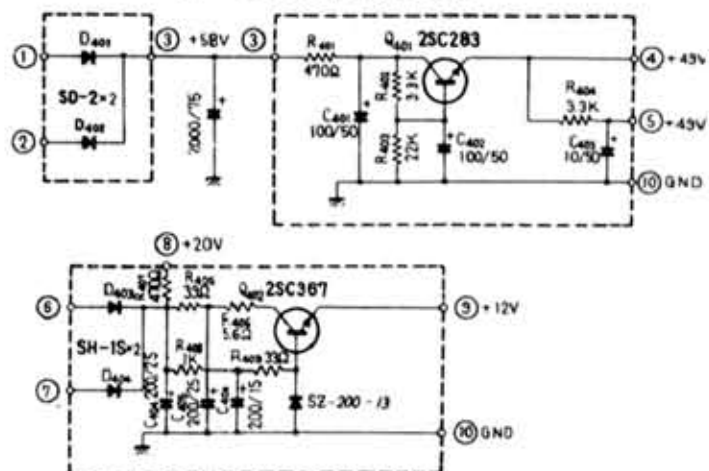


↑ FM MPX部



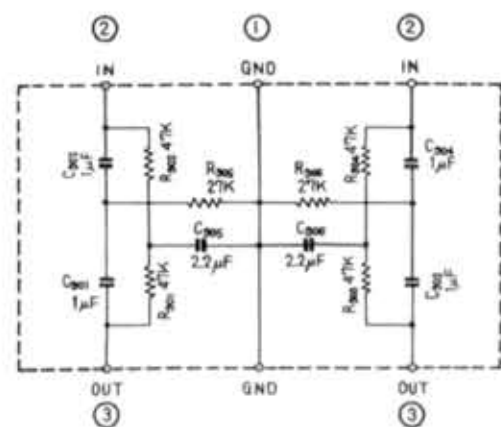
← プリアンプ部

↓ 電源供給部



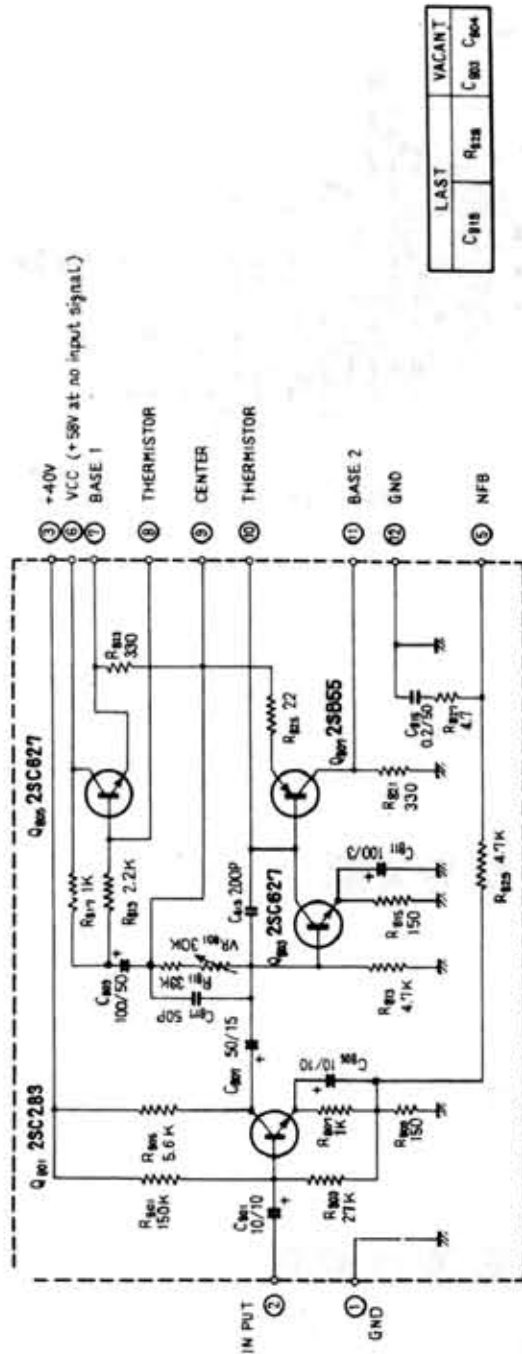
← トーンコントロール部

↓ P.Tフィルタ部



LAST	VACANT
C626	R634
C615	C616

メインアンプ部

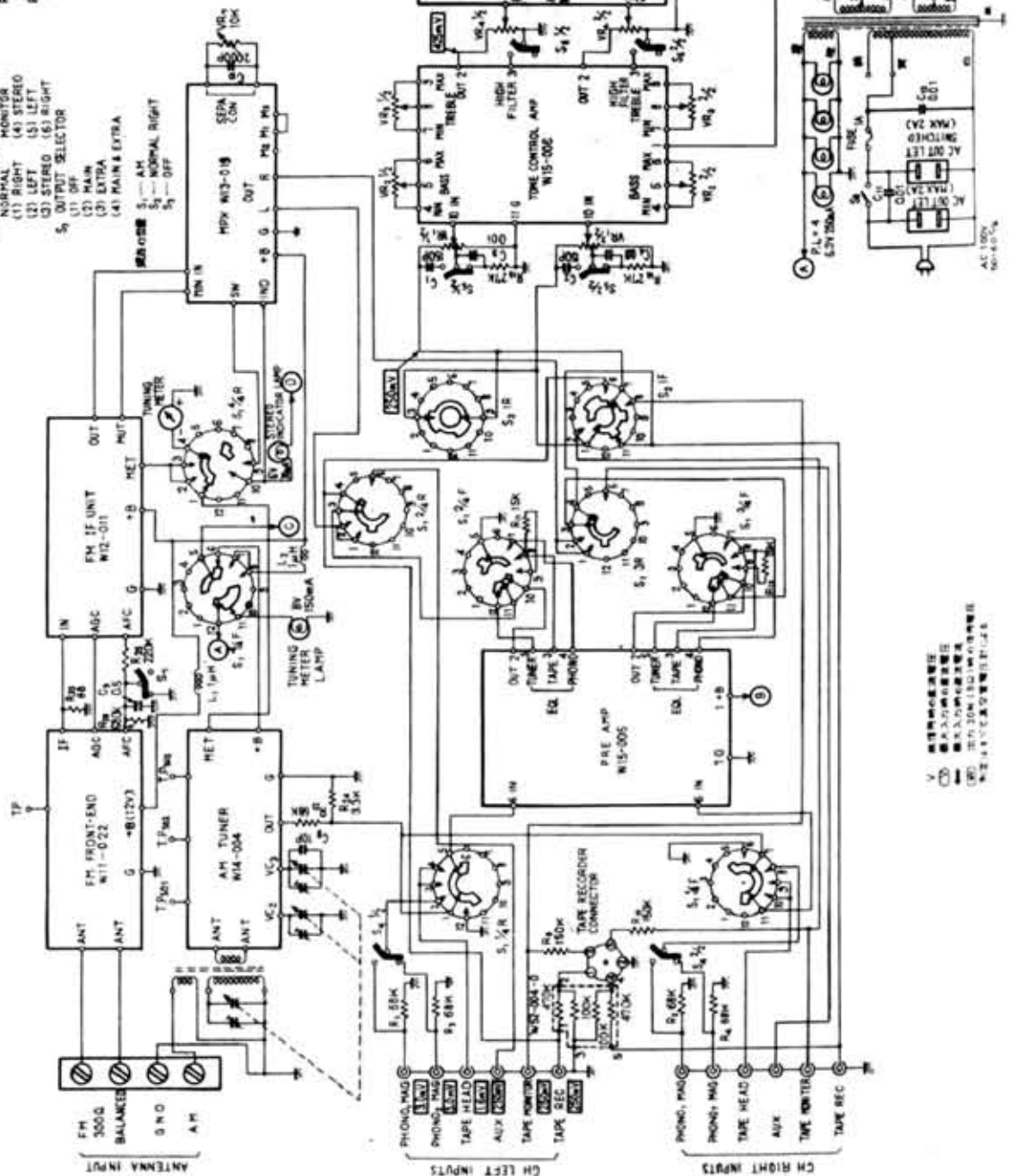


註) 部品番号は L-CH 新装版を以て示す。
NOTE The schematic diagram of Right channel is not shown.

LAST	VACANT
C ₁₁₆	R ₁₂₈
C ₁₁₈	C ₁₂₀
C ₁₂₂	C ₁₂₄

メイン回路

- S₁ INPUT SELECTOR
 (1) AM MONO
 (2) FM MONO
 (3) FM AUTO
 (4) PHONO
 (5) TAPE HEAD (S&W)
 (6) TAPE HEAD (S&C)
 (7) TAPE HEAD (S&M)
 (8) TAPE HEAD (S&H)
 (9) TAPE HEAD (S&L)
 (10) TAPE HEAD (S&R)
 (11) TAPE HEAD (S&B)
 (12) TAPE HEAD (S&D)
 (13) TAPE HEAD (S&F)
 (14) TAPE HEAD (S&G)
 (15) TAPE HEAD (S&I)
 (16) TAPE HEAD (S&J)
 (17) TAPE HEAD (S&K)
 (18) TAPE HEAD (S&M)
 (19) TAPE HEAD (S&O)
 (20) TAPE HEAD (S&P)
 (21) TAPE HEAD (S&Q)
 (22) TAPE HEAD (S&R)
 (23) TAPE HEAD (S&S)
 (24) TAPE HEAD (S&T)
 (25) TAPE HEAD (S&U)
 (26) TAPE HEAD (S&V)
 (27) TAPE HEAD (S&W)
 (28) TAPE HEAD (S&X)
 (29) TAPE HEAD (S&Y)
 (30) TAPE HEAD (S&Z)



- V 電圧
 C コンデンサ
 R 抵抗
 S スイッチ
 T トランス