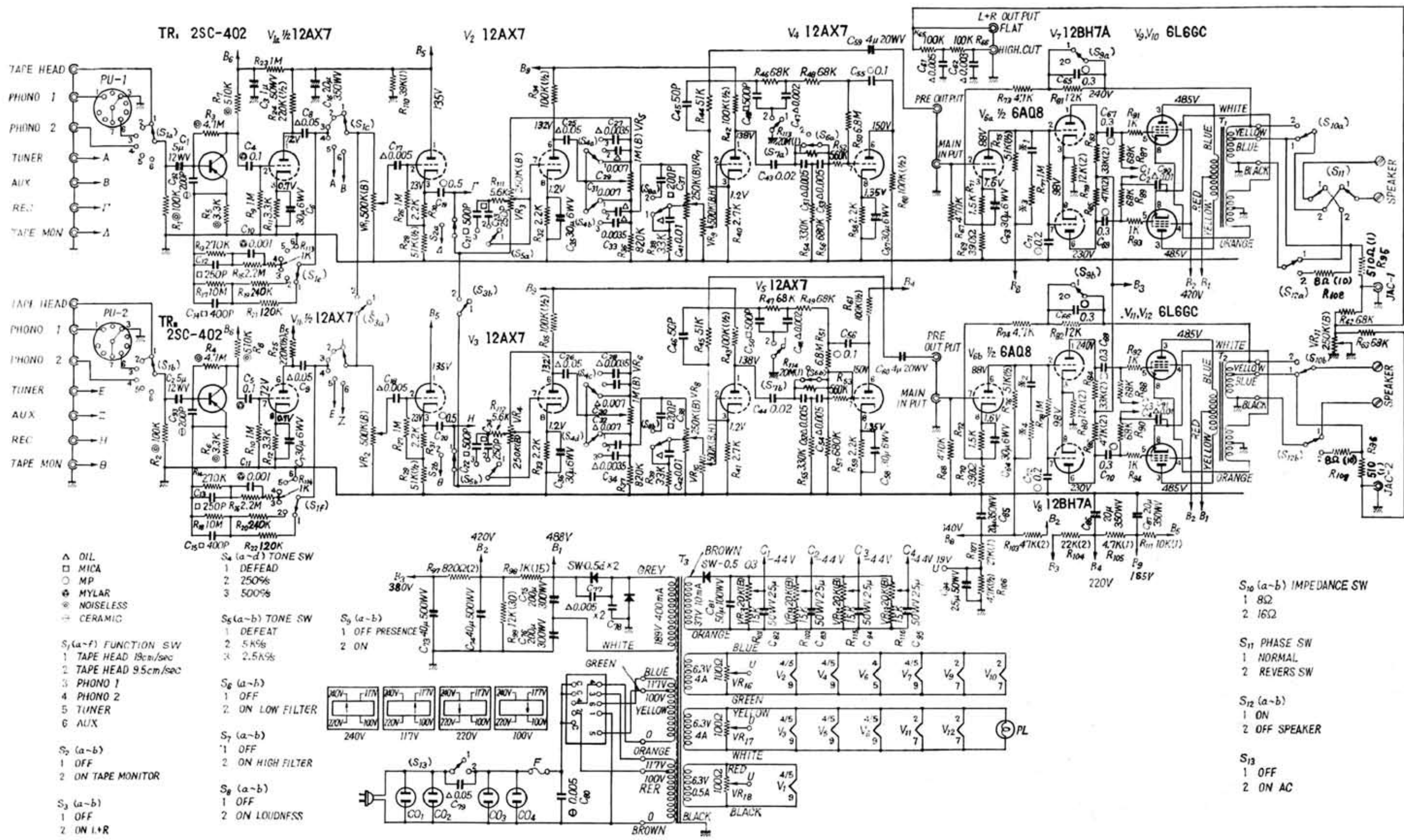


山水 AU-111



- △ OIL
 - MICA
 - MP
 - ⊙ MYLAR
 - ⊗ NOISELESS
 - ⊕ CERAMIC
- S₁(a-f) FUNCTION SW**
- 1 TAPE HEAD 19cm/sec
 - 2 TAPE HEAD 9.5cm/sec
 - 3 PHONO 1
 - 4 PHONO 2
 - 5 TUNER
 - 6 AUX
- S₂(a-b)**
- 1 OFF
 - 2 ON TAPE MONITOR
- S₃(a-b)**
- 1 OFF
 - 2 ON L+R
- S₄(a-d) TONE SW**
- 1 DEFEAT
 - 2 250%
 - 3 500%
- S₅(a-b) TONE SW**
- 1 DEFEAT
 - 2 5K%
 - 3 2.5K%
- S₆(a-b)**
- 1 OFF
 - 2 ON LOW FILTER
- S₇(a-b)**
- 1 OFF
 - 2 ON HIGH FILTER
- S₈(a-b)**
- 1 OFF
 - 2 ON LOUDNESS

- S₁₀(a-b) IMPEDANCE SW**
- 1 8Ω
 - 2 16Ω
- S₁₁ PHASE SW**
- 1 NORMAL
 - 2 REVERS SW
- S₁₂(a-b)**
- 1 ON
 - 2 OFF SPEAKER
- S₁₃**
- 1 OFF
 - 2 ON AC