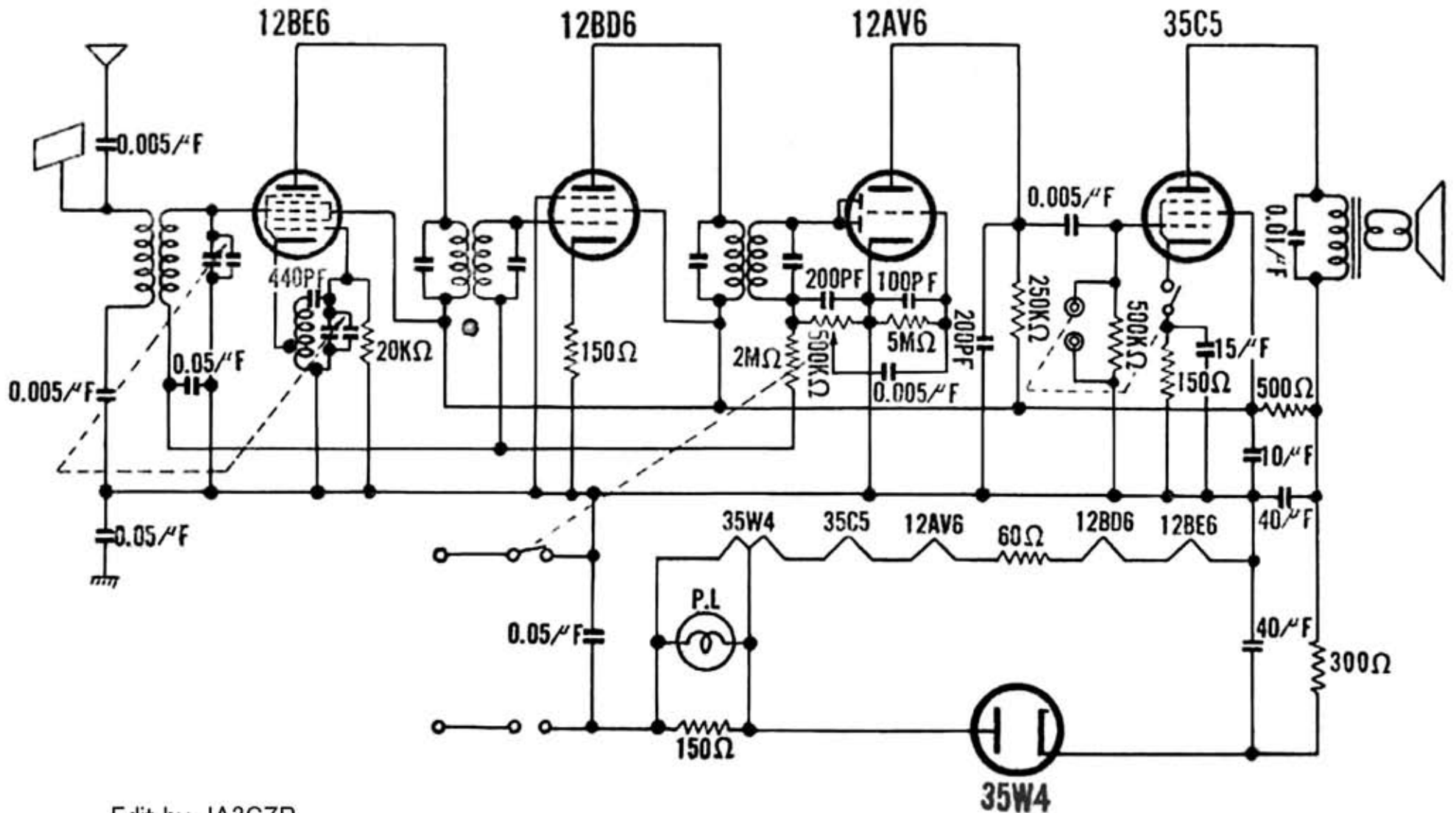


# SS-33 型 CIRCUIT DIAGRAM



Edit by JA3GZP