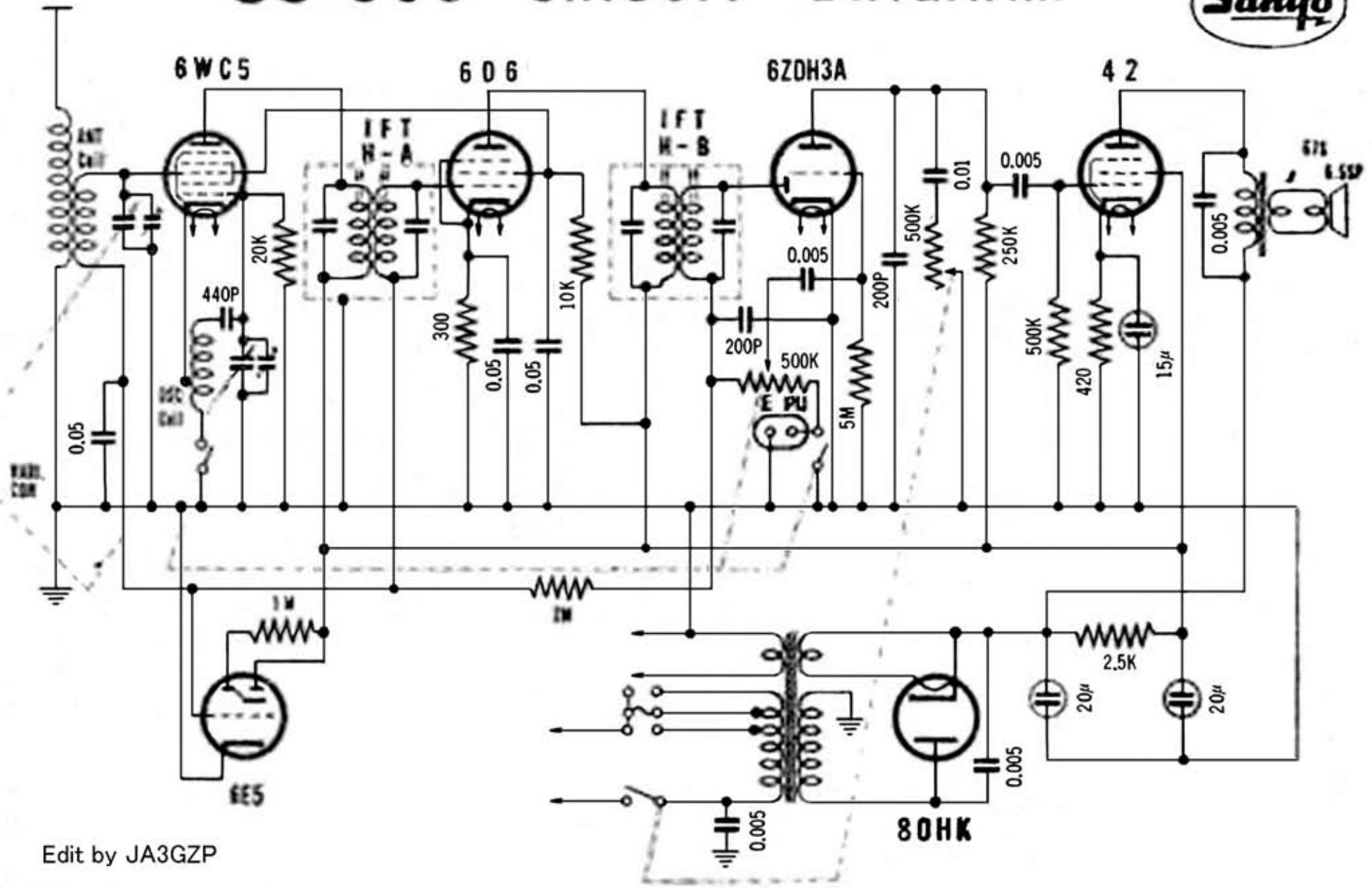


SS-505 CIRCUIT DIAGRAM



Edit by JA3GZP