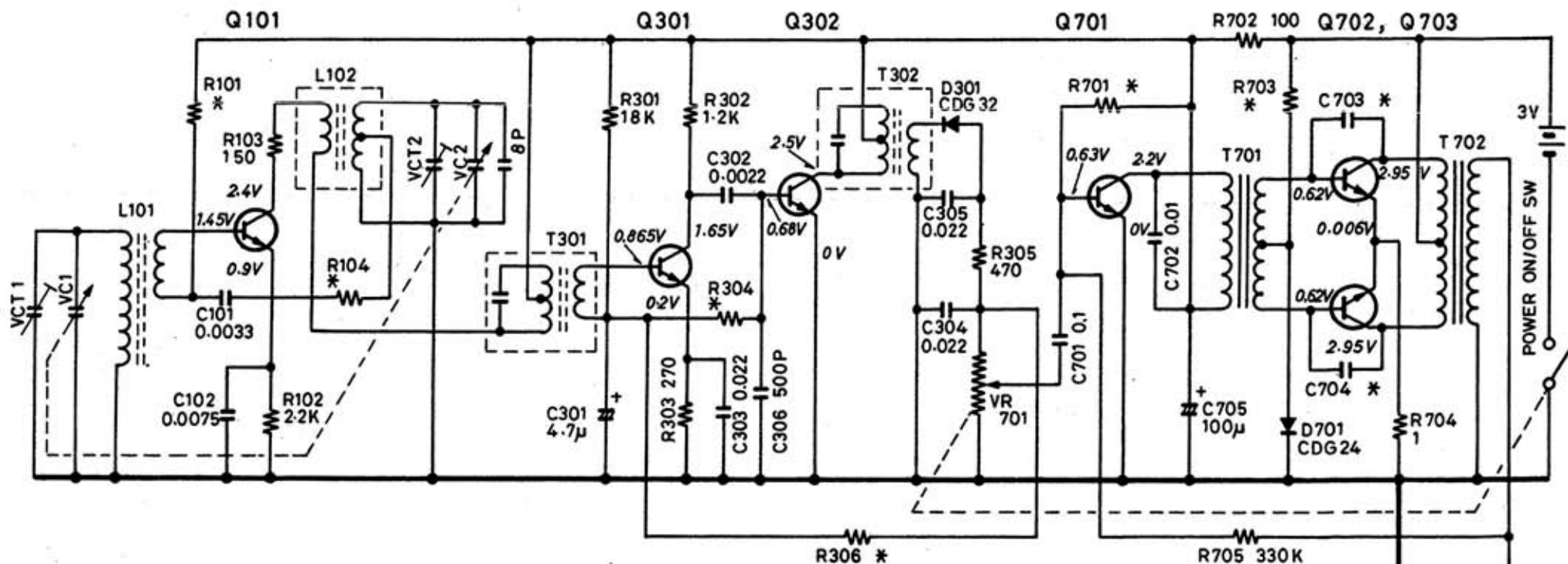




SANYO

RP 1390



* : MARK

TR.	NEC	HITACHI
Q101	2SC1675M	HIT 9011F
Q301	2SC1675L / 9011G	HIT 9011G
Q302	2SC1675M	HIT 9011F
Q701		HIT 9014C
Q702	227 R/S	HIT 8050C
Q703	227 R/S	HIT 8050C

C & R	NEC	HITACHI
C703	0.005	
C704	0.005	
R104		100
R703		820
R304	8.2K	8.2K
R306	10 K	8.2K
R701	220K	270K
R101	180 K	180K

