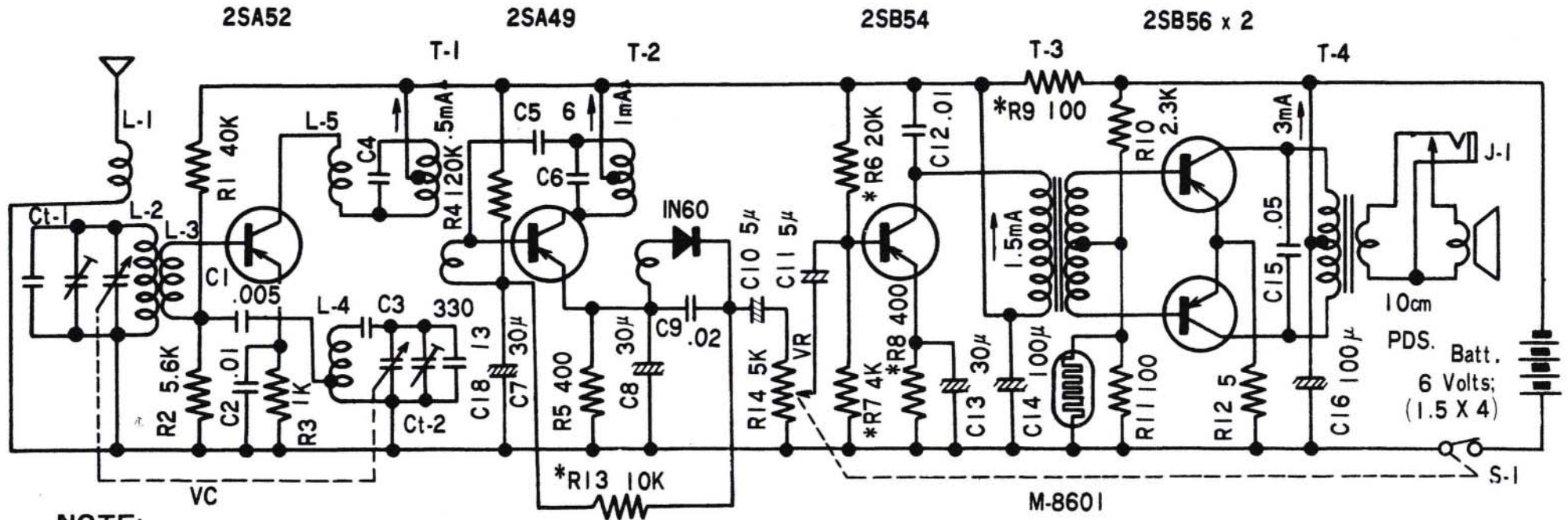


# SANYO 5C-01



**NOTE:**

K = 1.000 All resistance values in "ohms"

Error of resistance value

\* mark.....20%

no mark.....10%

All capacitance value less than 1.0 in  $\mu$ f and above in mmf except those indicated.