

Tr1 2SA220

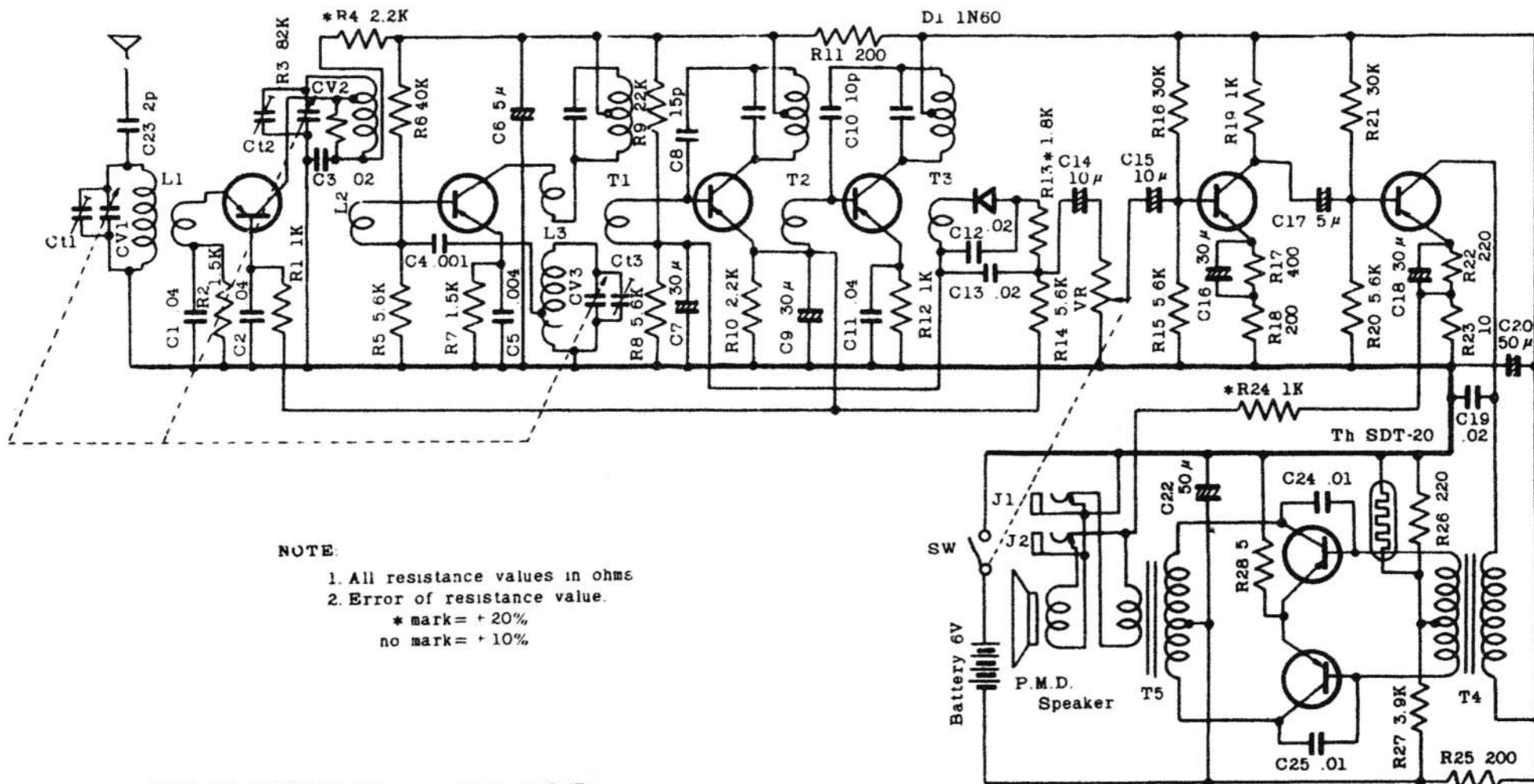
Tr2 2SA201

Tr3 2SA202

Tr4 2SA203

Tr5 2SB185

Tr6 2SB186



NOTE:

1. All resistance values in ohms
2. Error of resistance value.
 * mark = +20%
 no mark = +10%

SANYO 8C-028

Tr7 & Tr8 2SB187 x 2