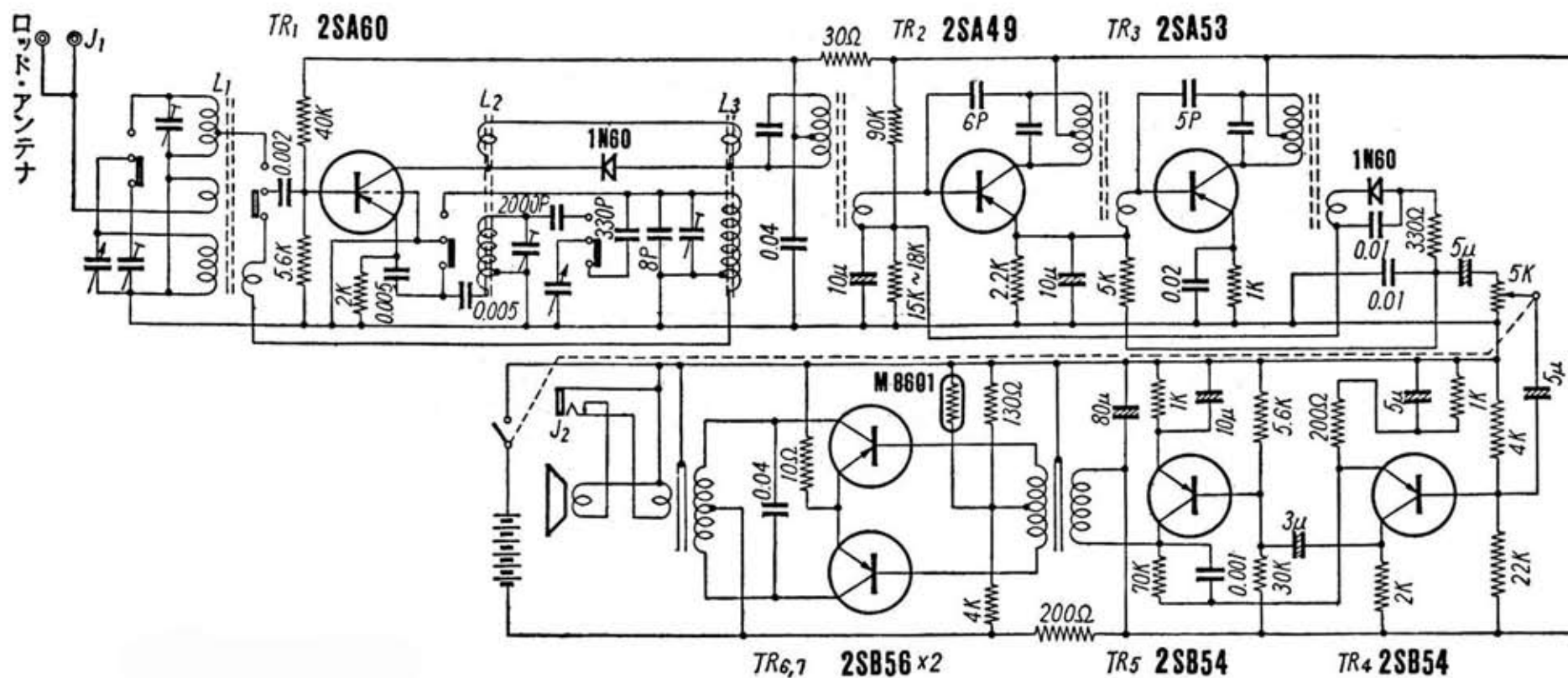
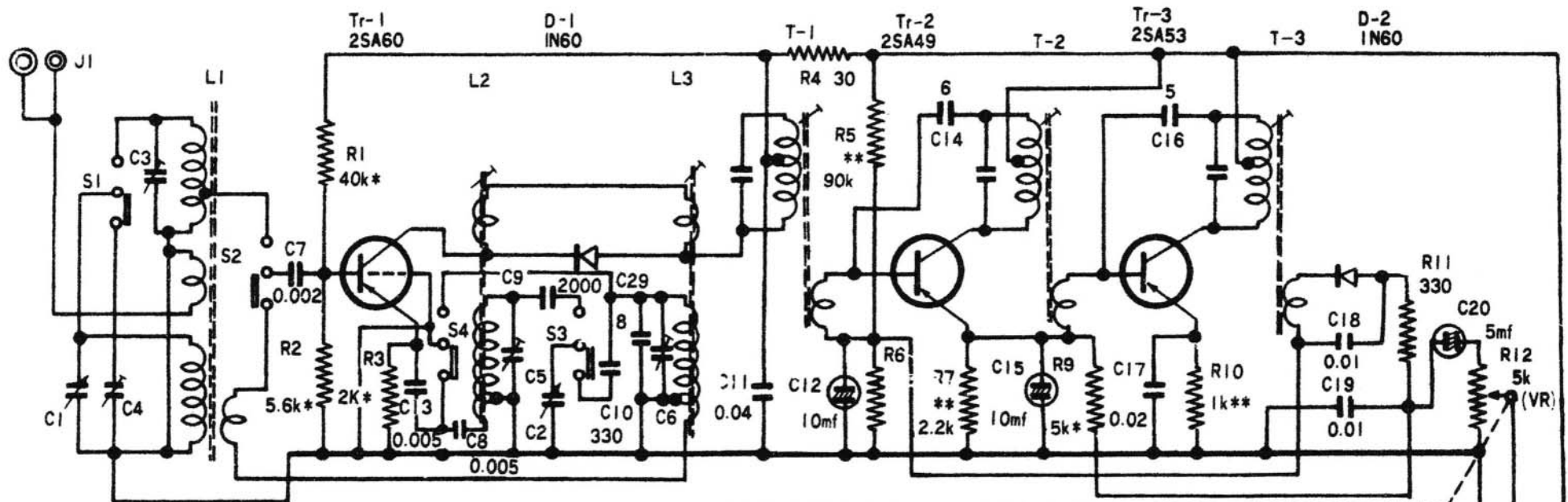


# サンヨー 7S-P5





All resistance values in OHMS.

K = 1,000

Error of resistance value

\*\* = ±5%, \* = ±10%, no mark = 20%

R6

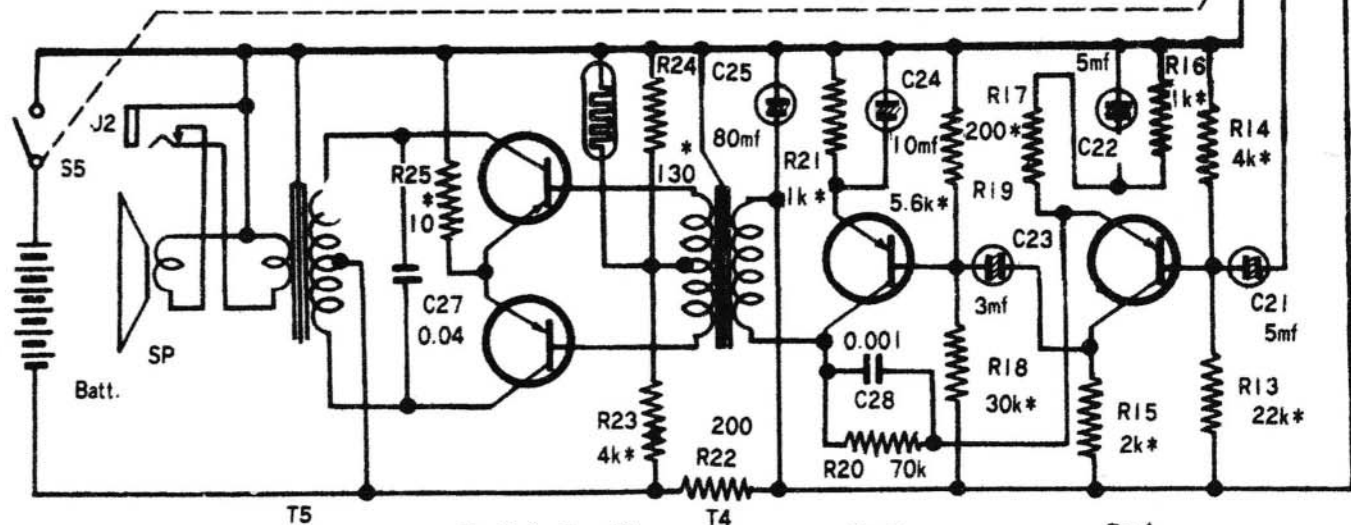
2SA49 = Green..... R6 = 15K\*\*

= White..... = 16K\*\*

= Yellow..... = 17K\*\*

= Red..... = 18K\*\*

All capacitance values less than 1.0 in "mf"  
and 1.0 & above in "mmf" except those indicated.



**SANYO 7S-P5**