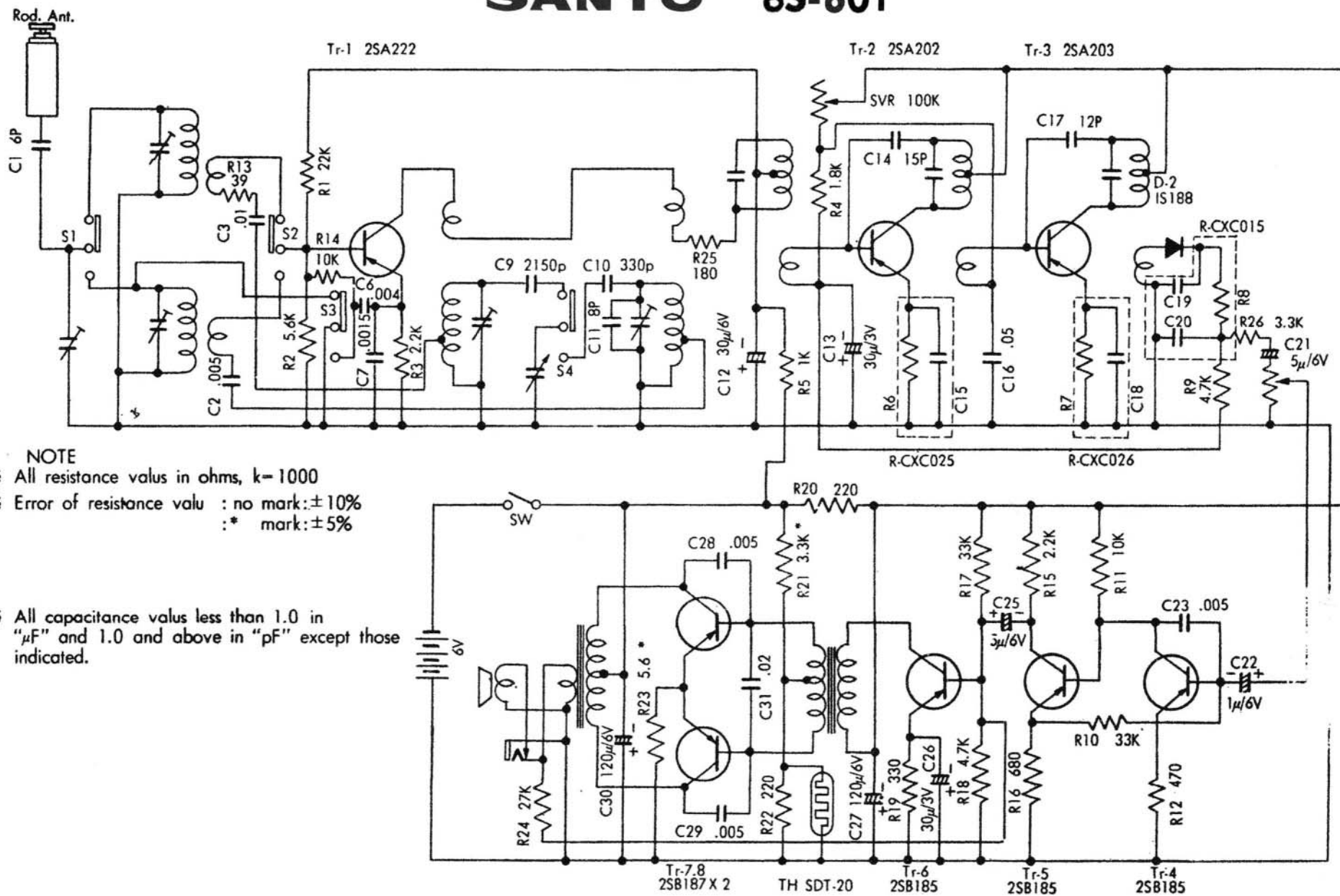


# SANYO 8S-601



## NOTE

§ All resistance value in ohms, k=1000

§ Error of resistance value : no mark: ±10%  
: \* mark: ±5%

§ All capacitance value less than 1.0 in "μF" and 1.0 and above in "pF" except those indicated.