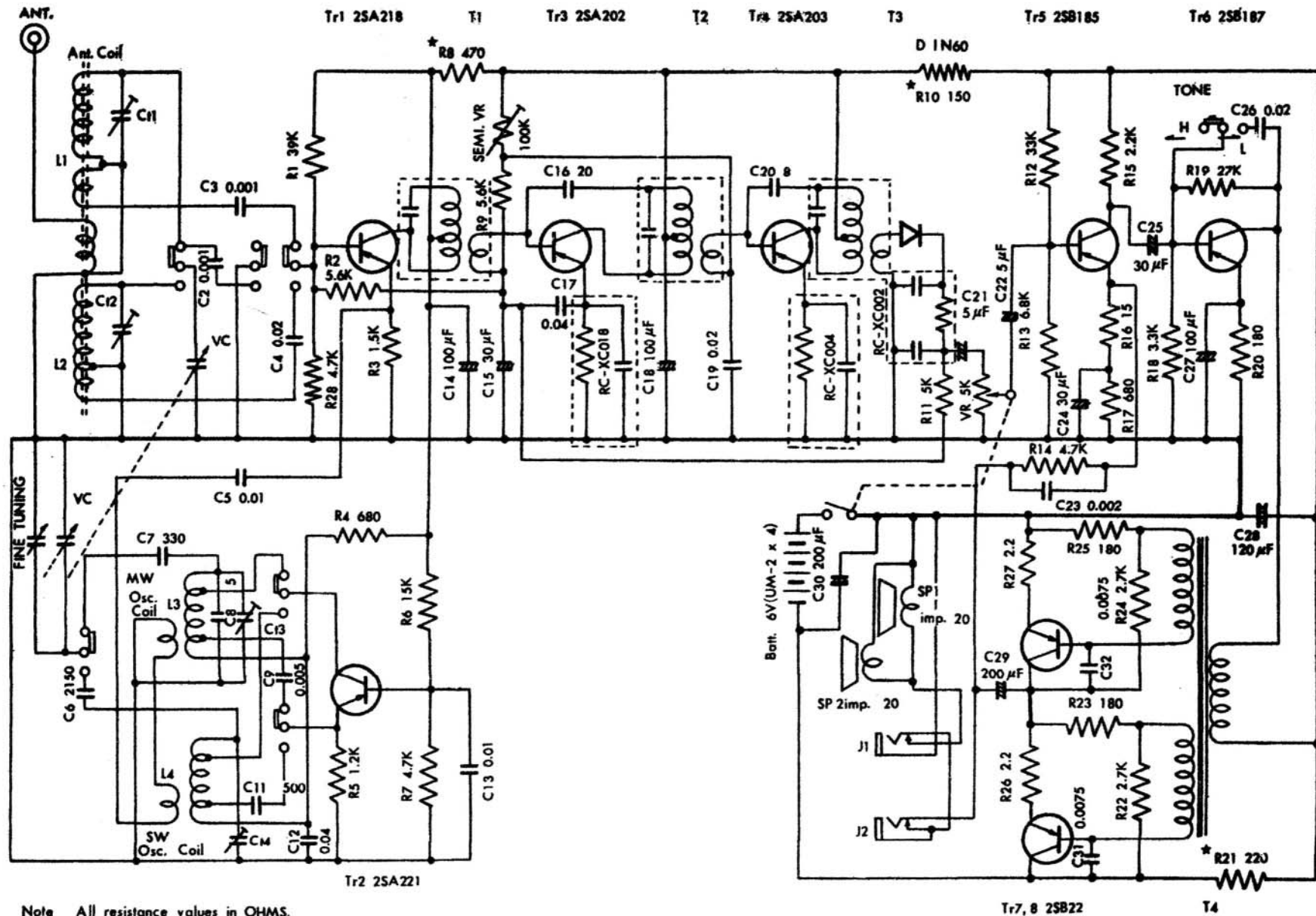


# SANYO 8S-P22



Note All resistance values in OHMS.

K=1,000 ★mark=20% allowance, no mark=10% allowance.

All capacitance values less than 1.0 in "μF", and 1.0 and above in "μF" except those indicated.