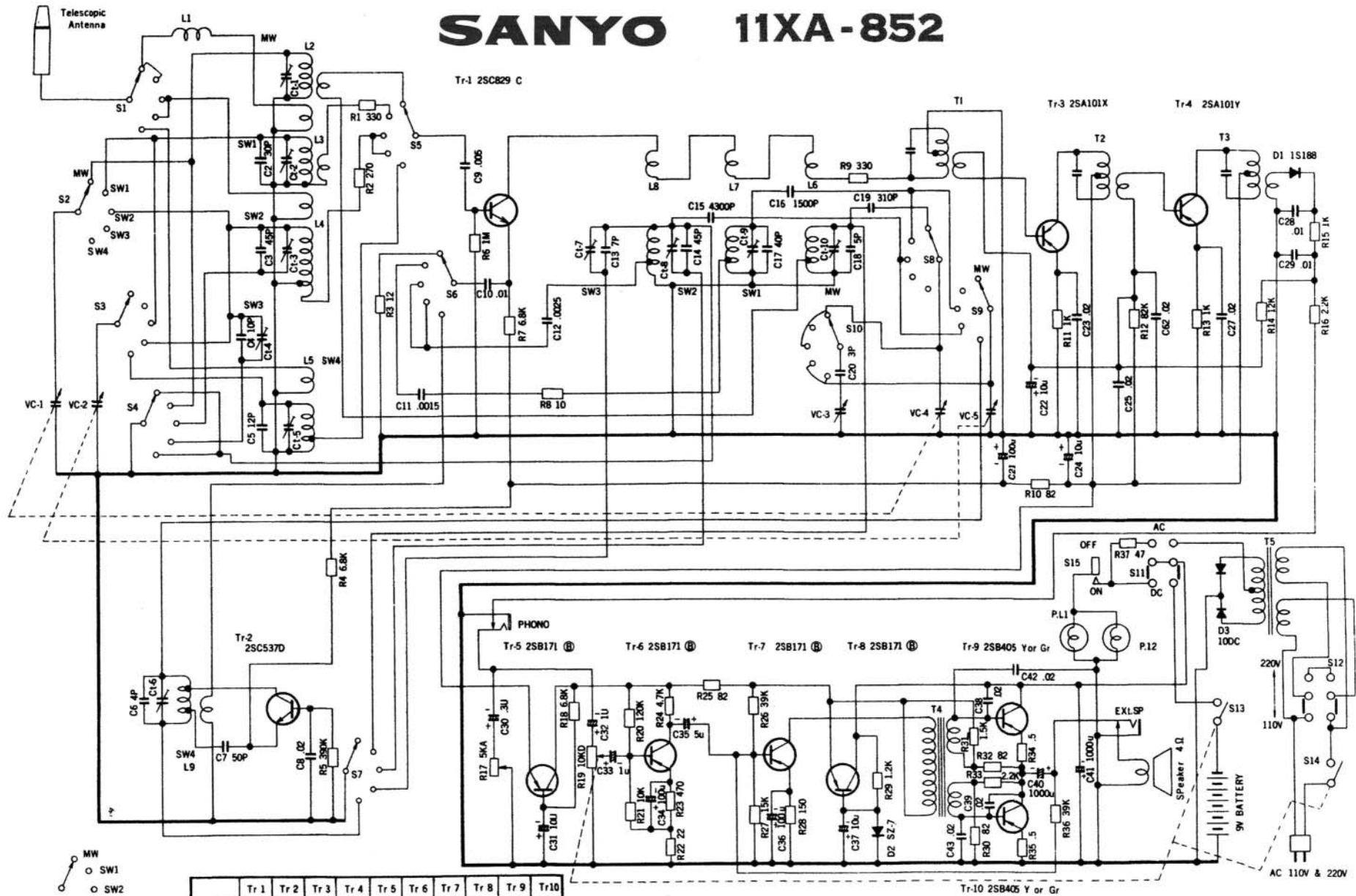


SANYO 11XA-852



MW
 ○ SW1
 ○ SW2
 ○ SW3
 ○ SW4

Band Select Switch (S1, S2, ..., S10) shown in 'MW' position

	Tr 1	Tr 2	Tr 3	Tr 4	Tr 5	Tr 6	Tr 7	Tr 8	Tr 9	Tr 10
Collector Voltage	0.13v	5.1v (0 v)	5.9v	5.9v	6.35v	3.65v	6.05v	9.0v	9.0v	3.9v
Base Voltage	0.55v	4.7v (1.07v)	0.52v	0.52v	5.8v	0.32v	0.81v	6.7v	3.9v	0.13v
Emitter Voltage	3.2v	5.2v (3.7v)	0.48v	0.45v	6.0v	0.27v	0.79v	6.05v	4.0v	0.05v
Collector Current	380μA	300μA	450μA	430μA	1.7mA	560μA	5.2mA	8 mA		

NOTE: 1. Value of capacitors are shown in 'uF' (micro-farad) unless otherwise specified. P - PF - micro-micro farad.
 2. Values of resistors are shown in ohms. K - 1000 ohms.
 3. Voltages given left are measured from common ground (Positive line) to the respective points.
 Values in parentheses show those of SW4 operation.