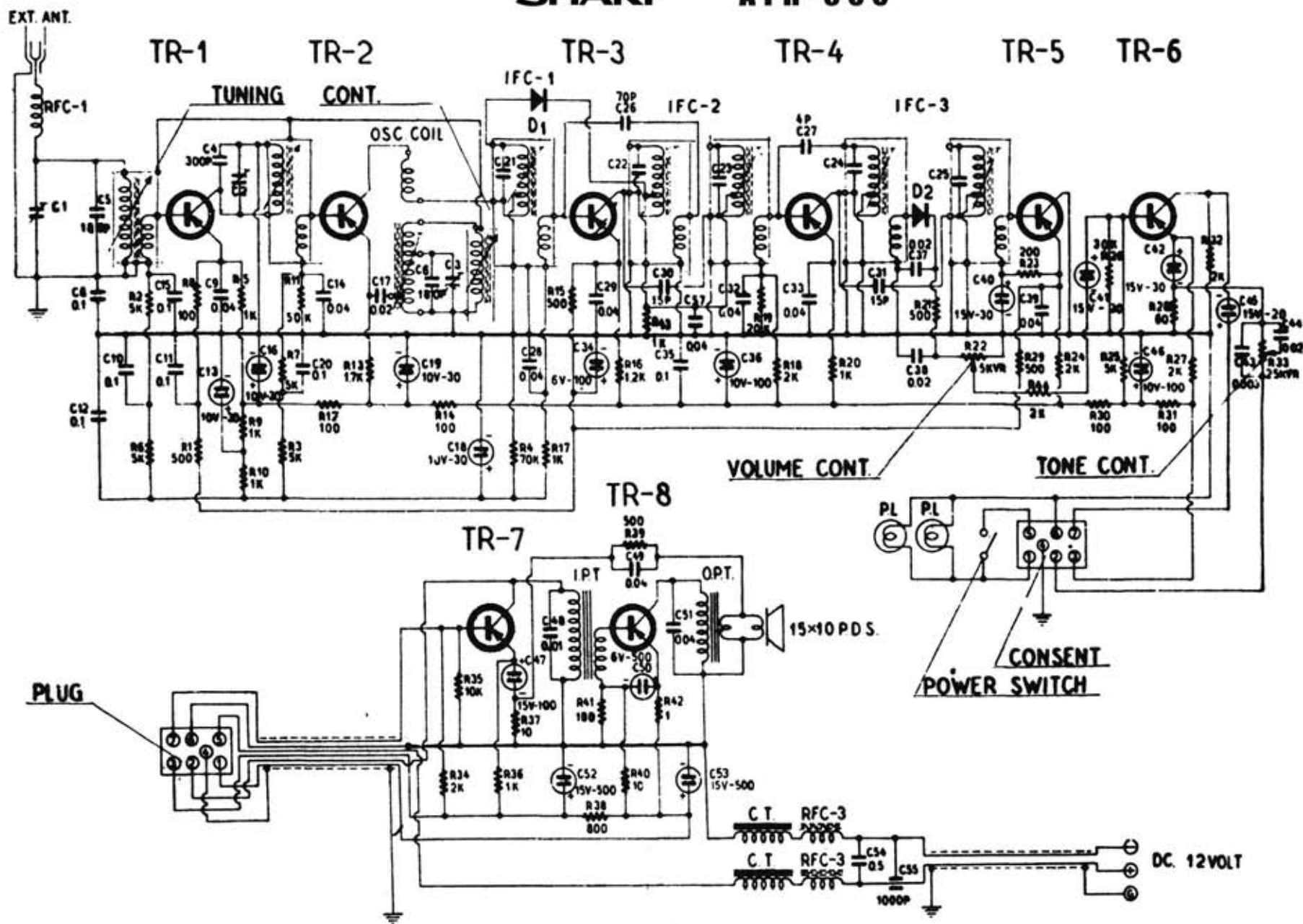


# SHARP ATR-900



SERVICE MANUAL