

SHARP BP-100

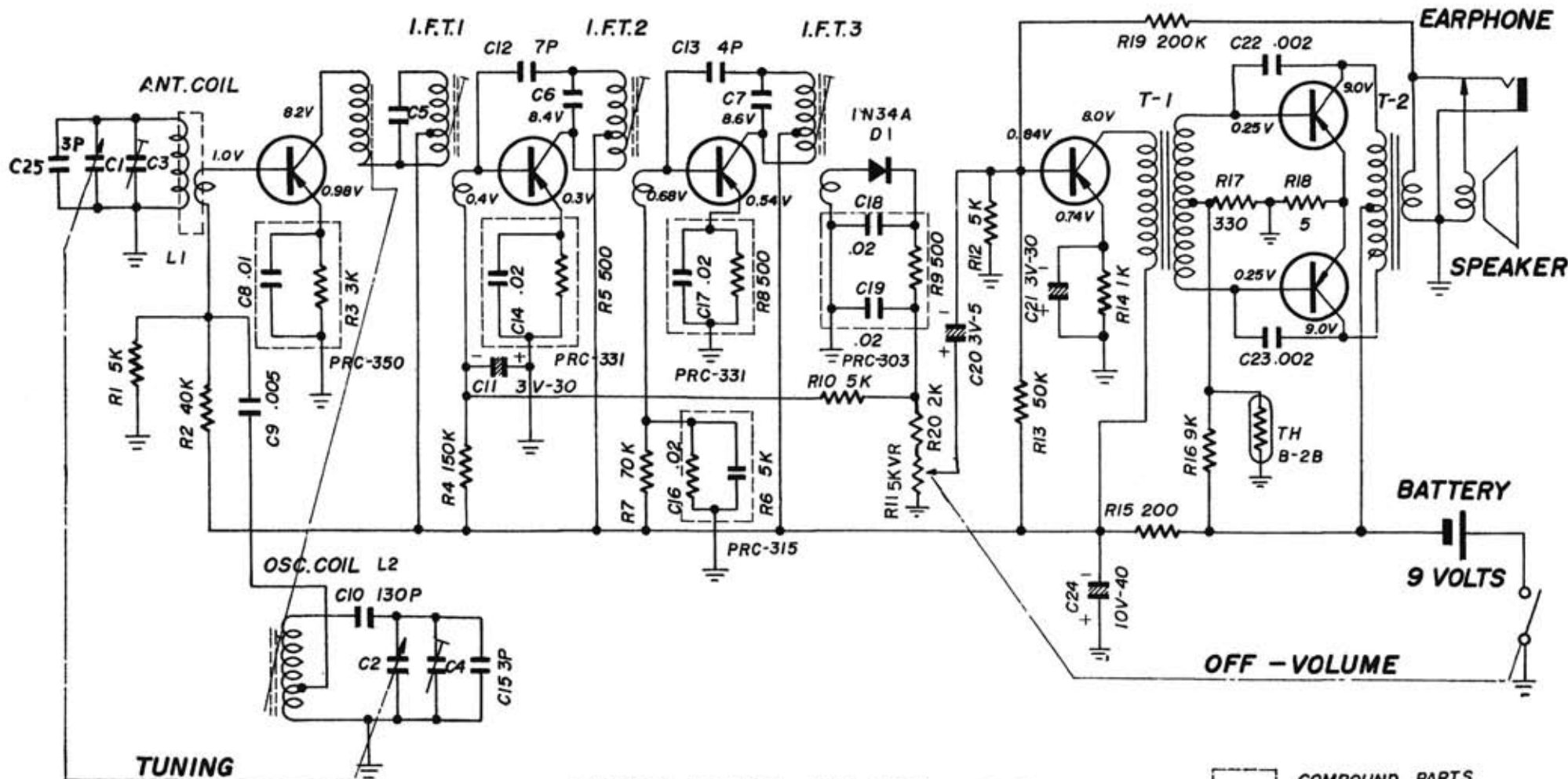
TR-1
2SA15

TR-2
2SA12A

TR-3
2SA12C

TR-4
2SB75

TR-5,6
2SB77 x 2



TUNING RANGE MW. 535 - 1650 KC
I.F. 455 KC

COMPOUND PARTS
 C UNIT μF
 R UNIT Ω