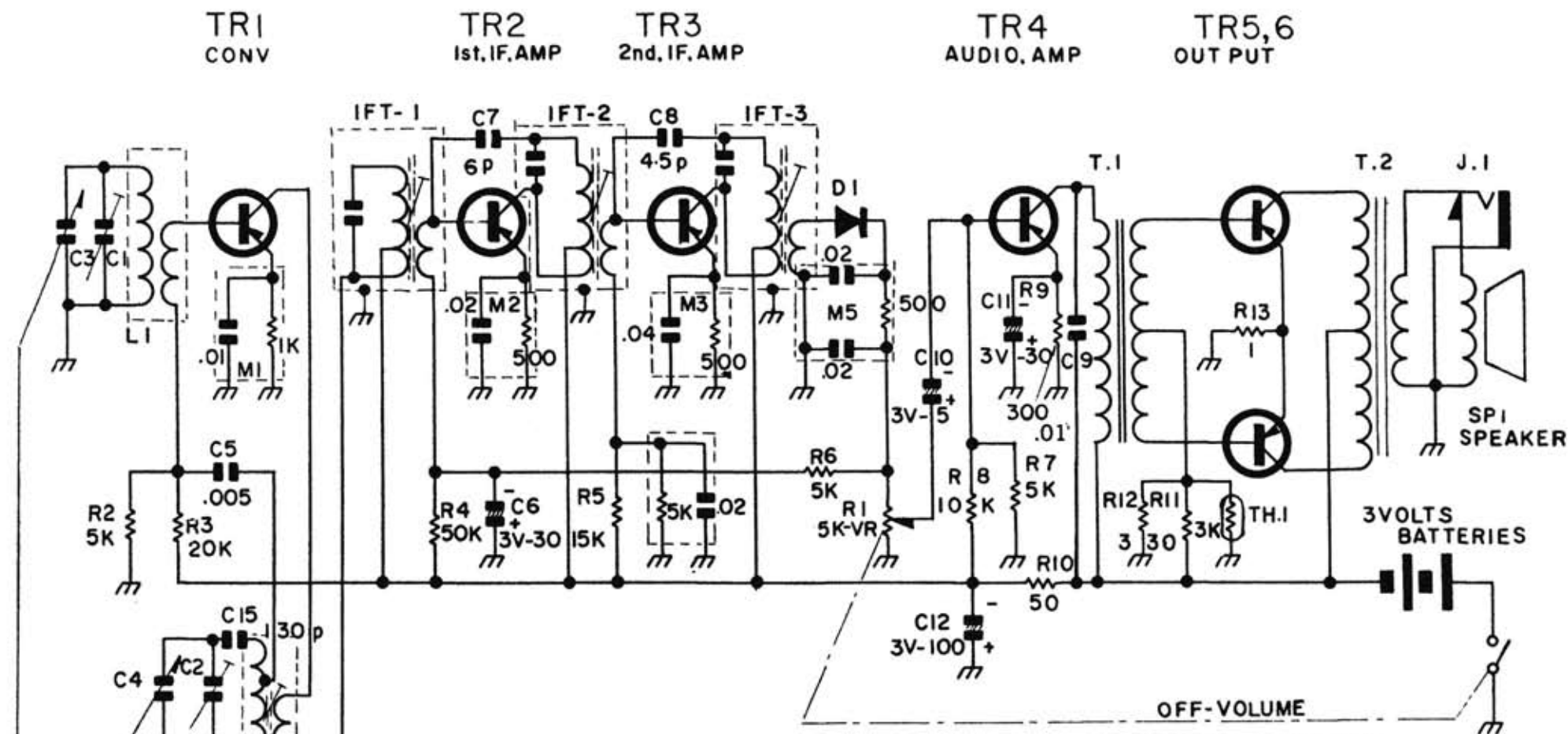


SHARP BP-101



IF-455KC

TUNING RANGE MW 530-1650KC
 CAPACITANCE VALUES
 P PF OR $\mu\mu\text{F}$
 NO UNIT MARKS μF
 RESISTANCE VALUES ORMS

TRANSISTOR VOLTAGES

REF NO	COLLECT	BASE	EMITT
TR1	2.90V	0.42V	0.34V
TR2	2.89	0.32	0.18
TR3	2.89	0.65	0.50
TR4	2.35	0.80	0.65
TR5	3.00	0.15	
TR6	3.00	0.15	