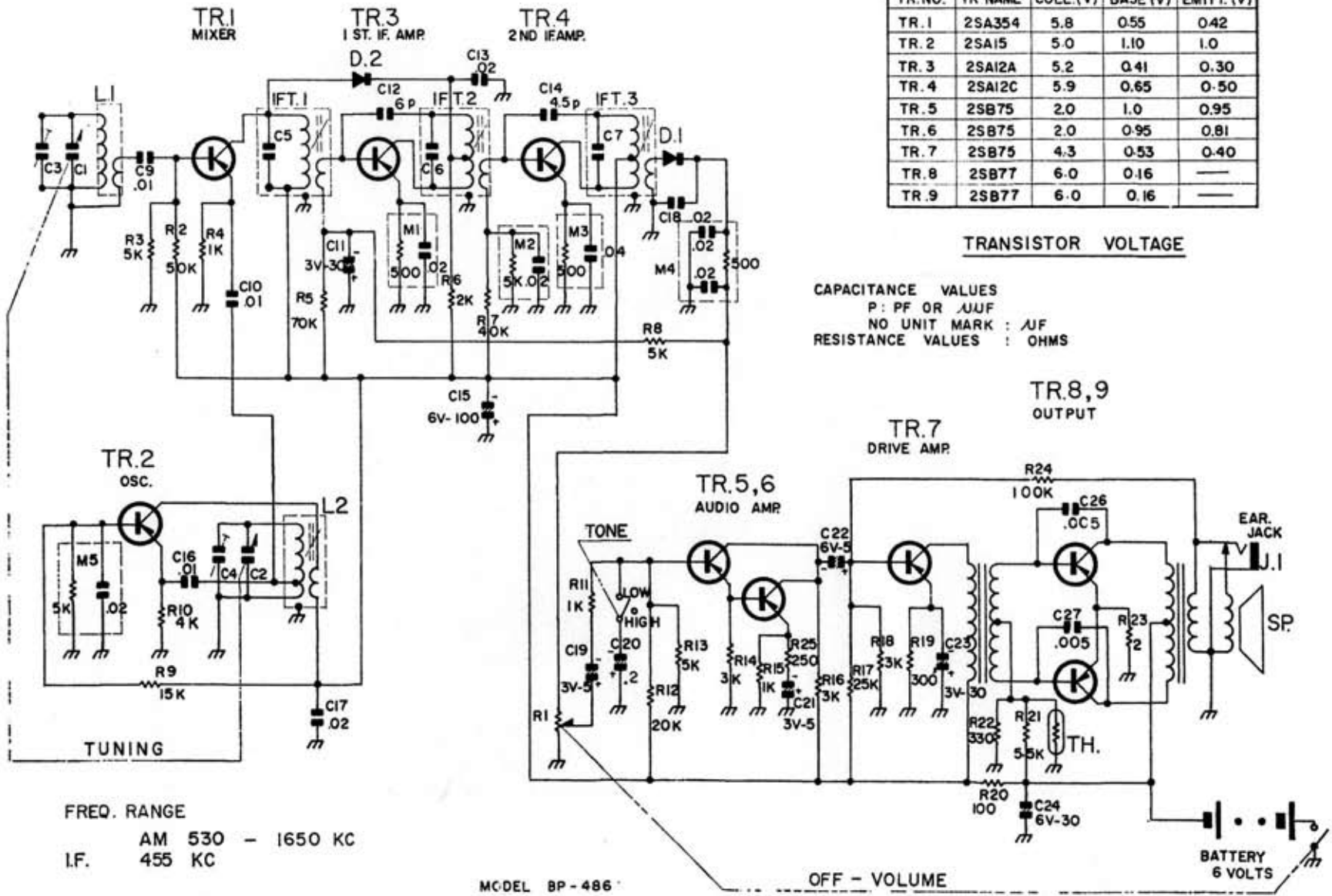


# SHARP BP-486



TR. NO.	TR NAME	COLL. (V)	BASE (V)	EMITT. (V)
TR. 1	2SA354	5.8	0.55	0.42
TR. 2	2SA15	5.0	1.10	1.0
TR. 3	2SA12A	5.2	0.41	0.30
TR. 4	2SA12C	5.9	0.65	0.50
TR. 5	2SB75	2.0	1.0	0.95
TR. 6	2SB75	2.0	0.95	0.81
TR. 7	2SB75	4.3	0.53	0.40
TR. 8	2SB77	6.0	0.16	—
TR. 9	2SB77	6.0	0.16	—

## TRANSISTOR VOLTAGE

CAPACITANCE VALUES  
 P : PF OR .UUF  
 NO UNIT MARK : UF  
 RESISTANCE VALUES : OHMS