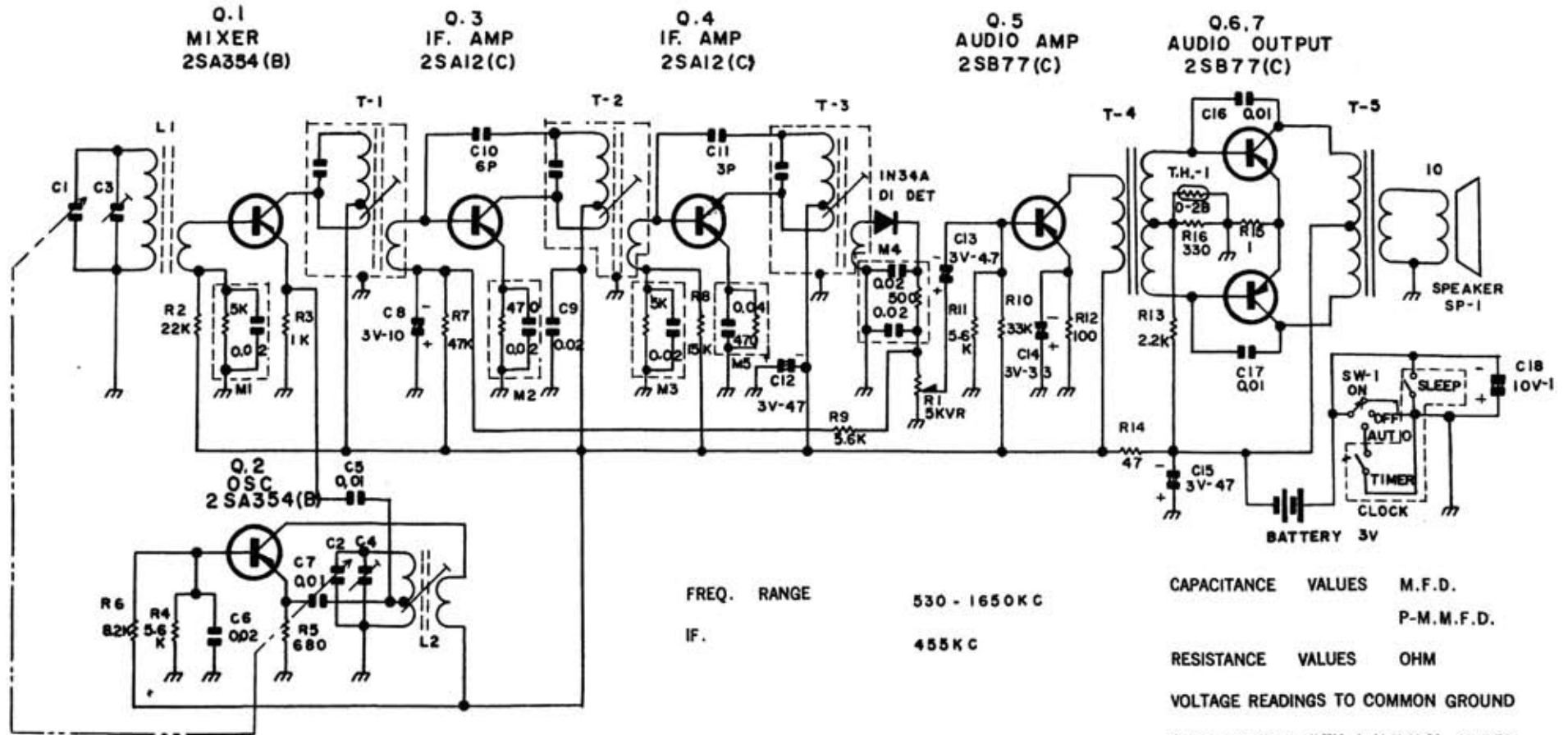


SHARP BPC-12



FREQ. RANGE 530 - 1650 K C
 IF. 455 K C

CAPACITANCE VALUES M.F.D.
 P.-M.M.F.D.
 RESISTANCE VALUES OHM
 VOLTAGE READINGS TO COMMON GROUND
 ARE MEASURED WITH A V.T.V.M. UNDER
 NO SIGNAL CONDITIONS.

TRANSISTOR VOLTAGES

Q. NO	COLL. (V)	BASE (V)	EMITT (V)
Q. 1	2.8	0.7	0.68
Q. 2	2.8	1.13	1.05
Q. 3	2.8	0.38	0.25
Q. 4	2.8	0.6	0.45
Q. 5	2.4	0.27	0.13
Q. 6	3.0	0.16	—
Q. 7	3.0	0.16	—

SCHEMATIC DIAGRAM
 BPC-12 (4096)

SERVICE MANUAL