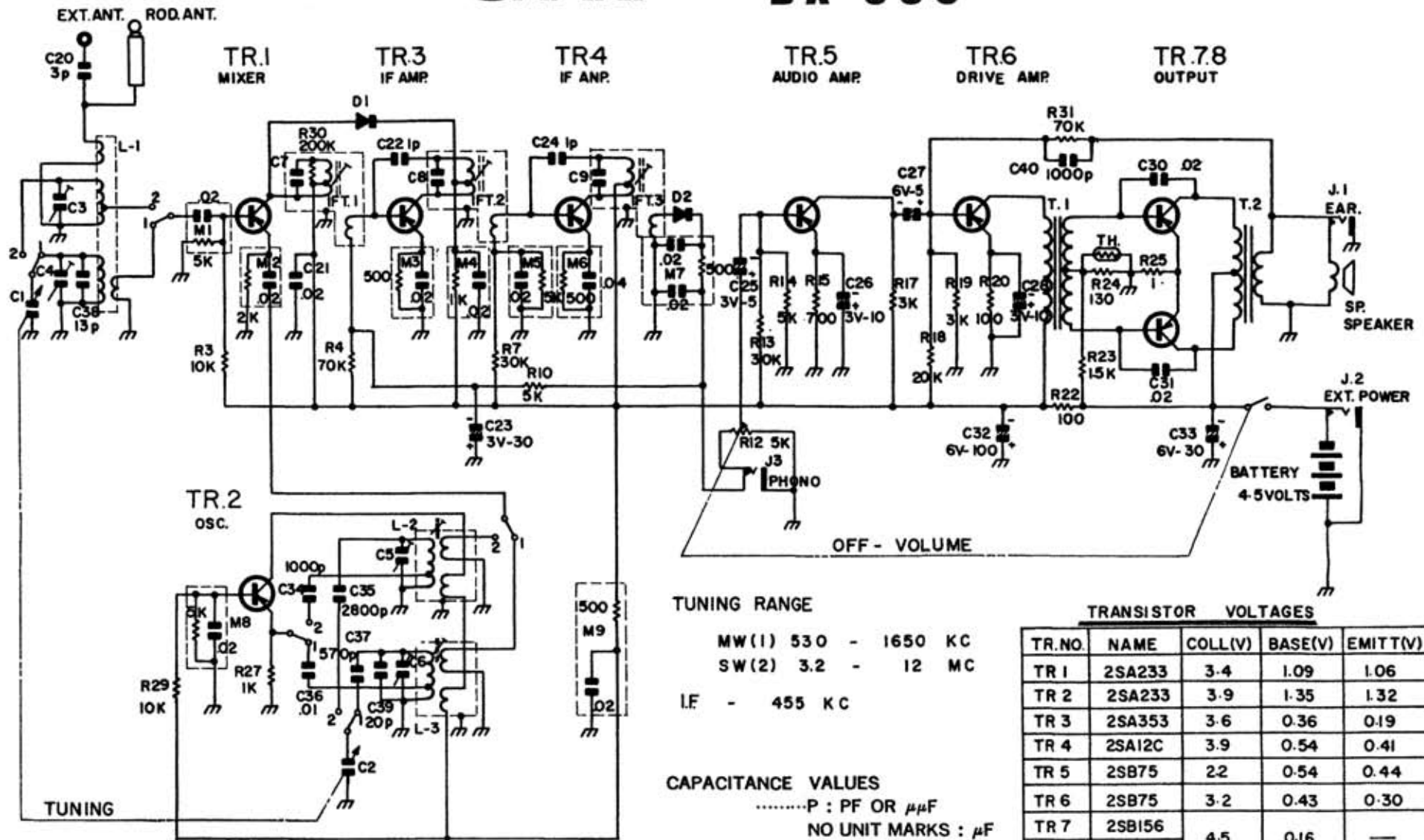


SHARP BX-385



TUNING RANGE

MW (1) 530 - 1650 KC
 SW (2) 3.2 - 12 MC
 I.F. - 455 KC

CAPACITANCE VALUES

.....P : PF OR $\mu\mu\text{F}$
 NO UNIT MARKS : μF

RESISTANCE VALUES.....OHMS

TRANSISTOR VOLTAGES

TR.NO.	NAME	COLL(V)	BASE(V)	EMITT(V)
TR 1	2SA233	3.4	1.09	1.06
TR 2	2SA233	3.9	1.35	1.32
TR 3	2SA353	3.6	0.36	0.19
TR 4	2SA12C	3.9	0.54	0.41
TR 5	2SB75	2.2	0.54	0.44
TR 6	2SB75	3.2	0.43	0.30
TR 7	2SB156	4.5	0.16	—
TR 8	2SB156			