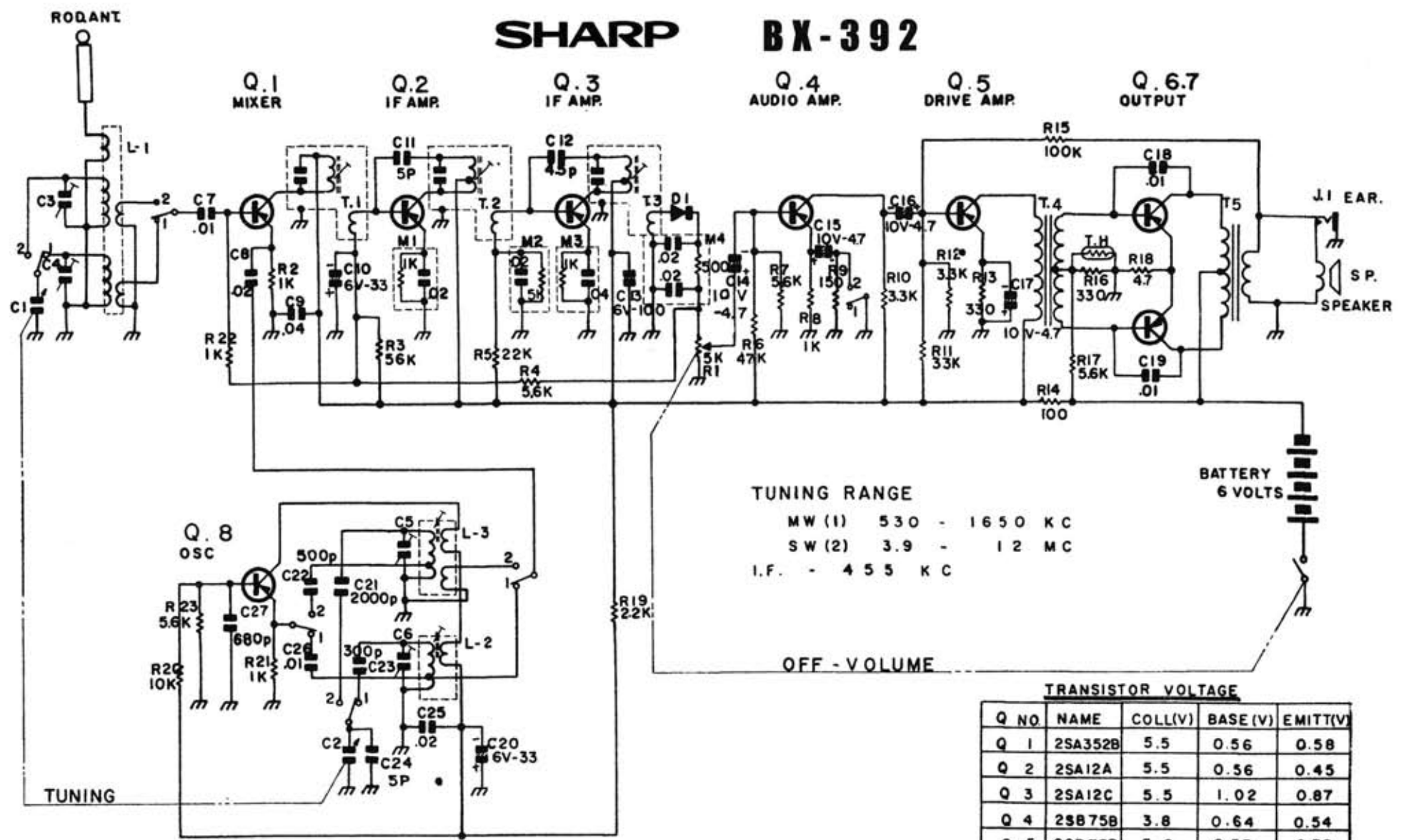


# SHARP BX-392



**TRANSISTOR VOLTAGE**

Q NO.	NAME	COLL(V)	BASE(V)	EMITT(V)
Q 1	2SA352B	5.5	0.56	0.58
Q 2	2SA12A	5.5	0.56	0.45
Q 3	2SA12C	5.5	1.02	0.87
Q 4	2SB75B	3.8	0.64	0.54
Q 5	2SB75B	5.0	0.53	0.39
Q 6	2SB77B	6.0	0.15	—
Q 7	2SB77B	6.0	0.15	—
Q 8	2SA351B	3.1	0.98	0.86