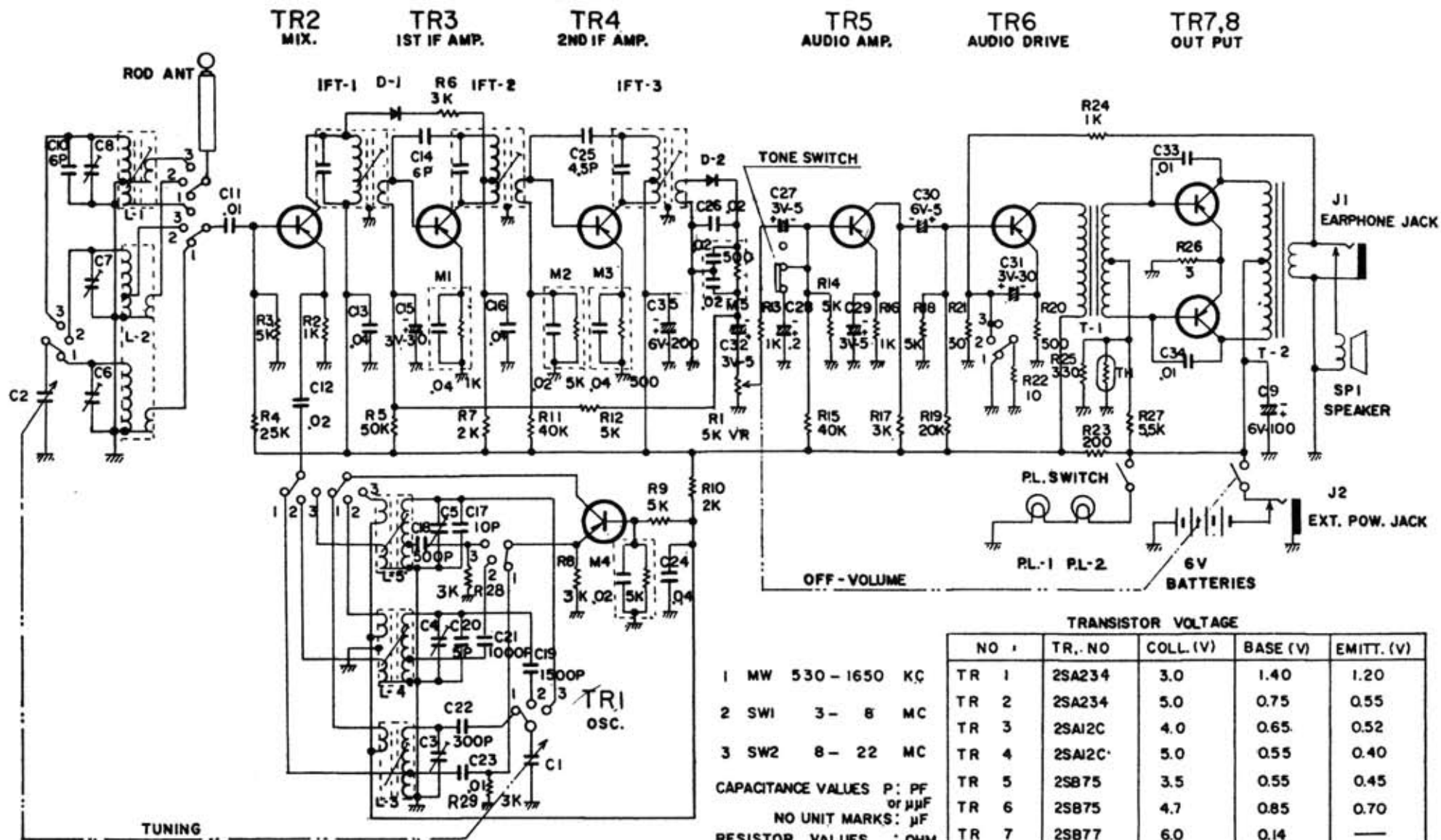


SHARP BY-150



TRANSISTOR VOLTAGE

NO.	TR. NO	COLL. (V)	BASE (V)	EMITT. (V)
1	TR 1	3.0	1.40	1.20
2	TR 2	5.0	0.75	0.55
3	TR 3	4.0	0.65	0.52
3	TR 4	5.0	0.55	0.40
	TR 5	3.5	0.55	0.45
	TR 6	4.7	0.85	0.70
	TR 7	6.0	0.14	—
	TR 8	6.0	-0.14	—

1 MW 530 - 1650 KC
 2 SW1 3 - 8 MC
 3 SW2 8 - 22 MC

CAPACITANCE VALUES P: PF
 or μF
 NO UNIT MARKS: μF
 RESISTOR VALUES : OHM