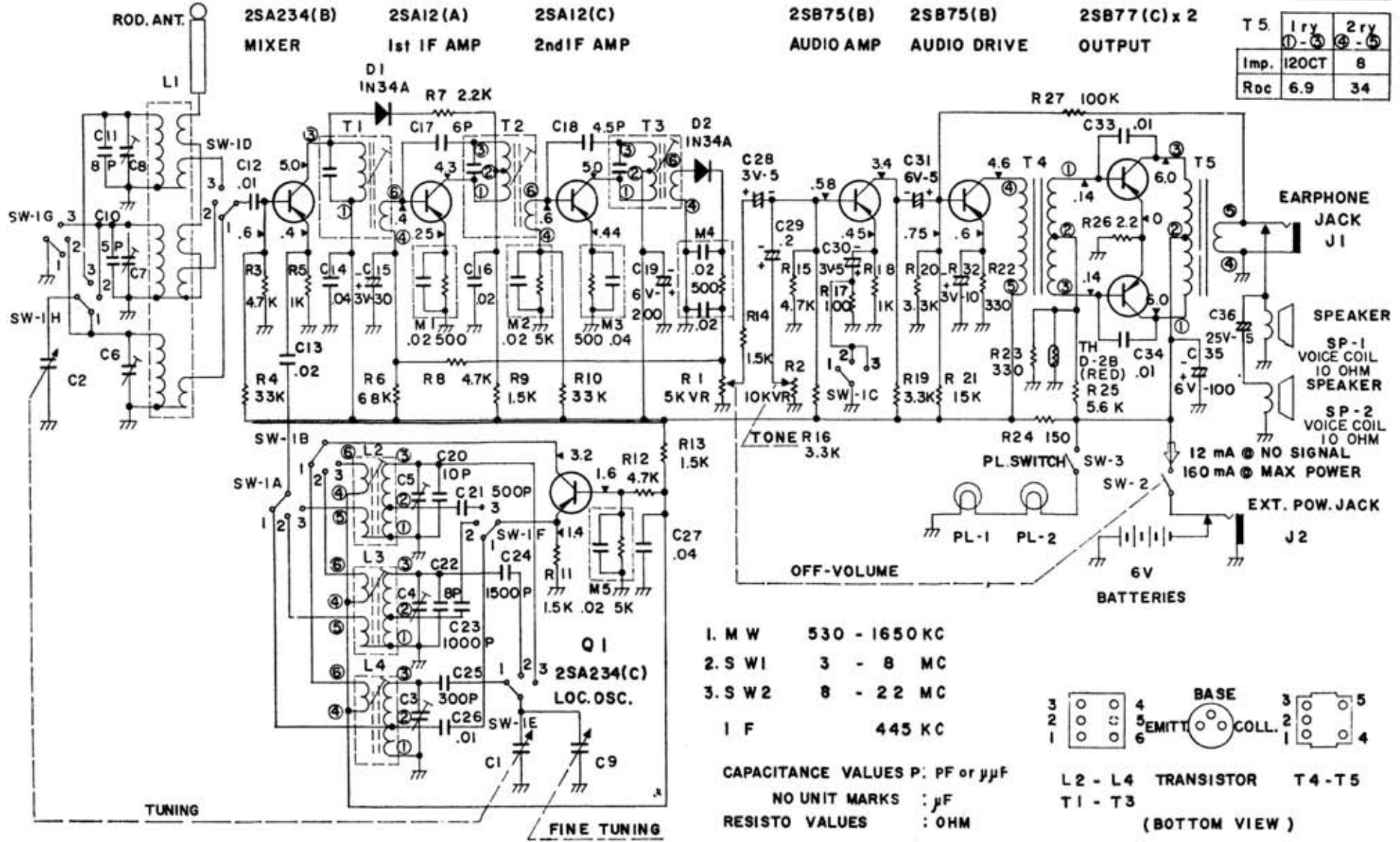


SHARP BY-154

T 4	1ry	2ry
	④-⑤	①-③
Imp	3K	1.7KCT
Roc	204	124

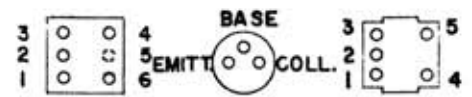
T 5	1ry	2ry
	①-③	④-⑤
Imp.	120CT	8
Roc	6.9	34

Q 2 2SA234(B) MIXER
Q 3 2SA12(A) 1st IF AMP
Q 4 2SA12(C) 2nd IF AMP
Q 5 2SB75(B) AUDIO AMP
Q 6 2SB75(B) AUDIO DRIVE
Q 7,8 2SB77(C) x 2 OUTPUT



- 1. MW 530 - 1650 KC
- 2. SW1 3 - 8 MC
- 3. SW2 8 - 22 MC
- I F 445 KC

CAPACITANCE VALUES P: PF or μ F
 NO UNIT MARKS : μ F
 RESISTO VALUES : OHM



L2 - L4 TRANSISTOR
 T1 - T3
 (BOTTOM VIEW)