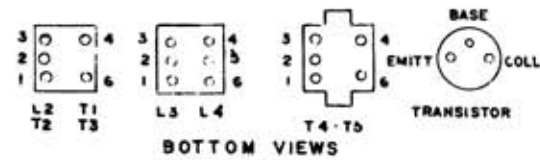
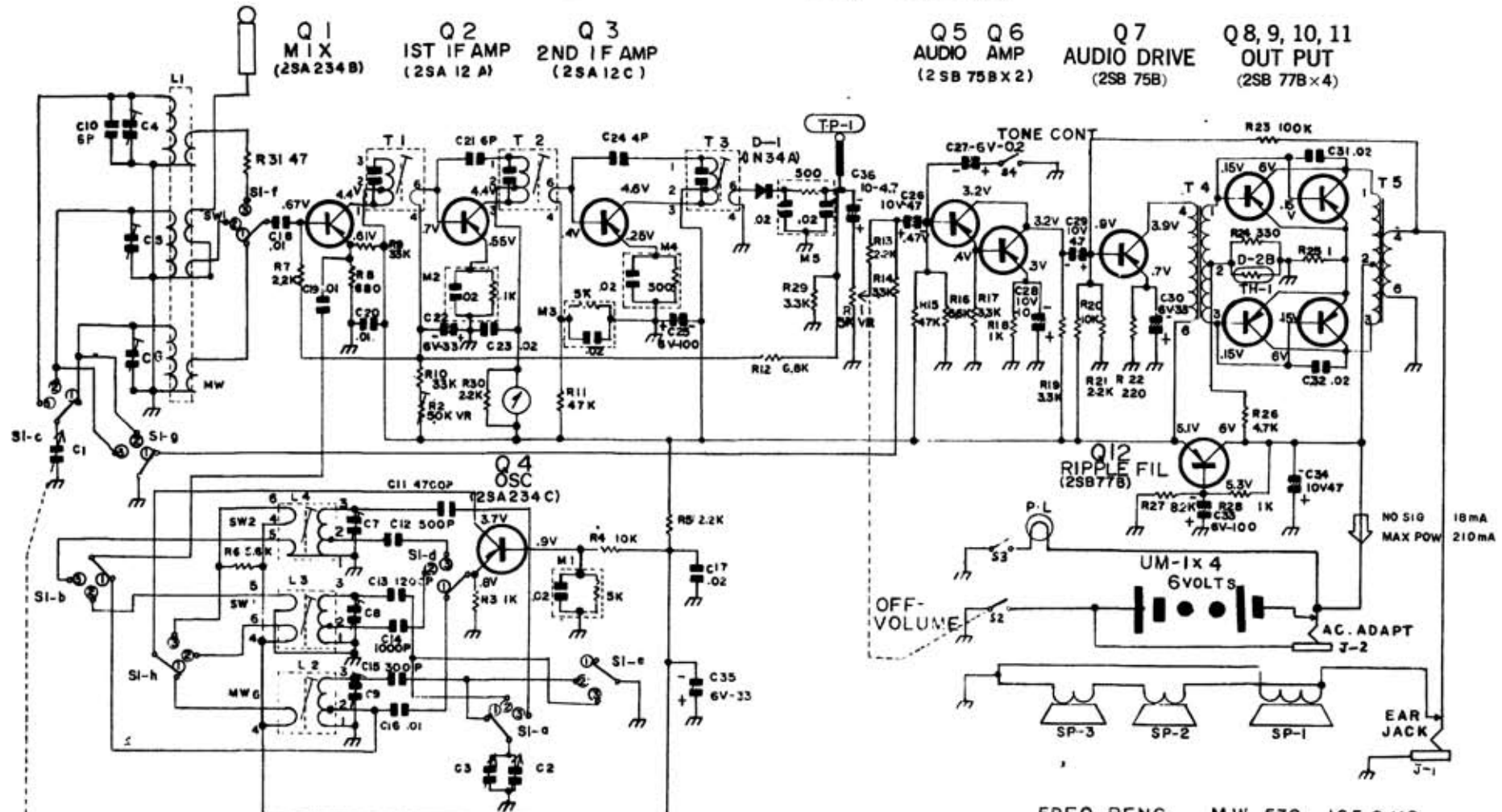


SHARP BY-157A



T4			T5	
1	RY 4-6	2	RY 1-3	
1	IMP	3KΩ	1	IMP
	R _{DC}	190Ω	2	R _{DC}
		105Ω		

FREQ RENG MW 530 - 1650 KC
 SW1 2.3 - 7.3 MC
 SW2 7.3 - 22.0 MC
 IF 455 KC
 CAPACITANCE VALUES ARE IN MFD
 P = MMFD
 RESISTANCE VALUES ARE IN OHMS
 K = 1000
 VOLTAGE READINGS TO COMMON
 GRAND(+) ARE MEASURD WITH VT-V/M
 UNDER NO SIGNAL CONDITIONS