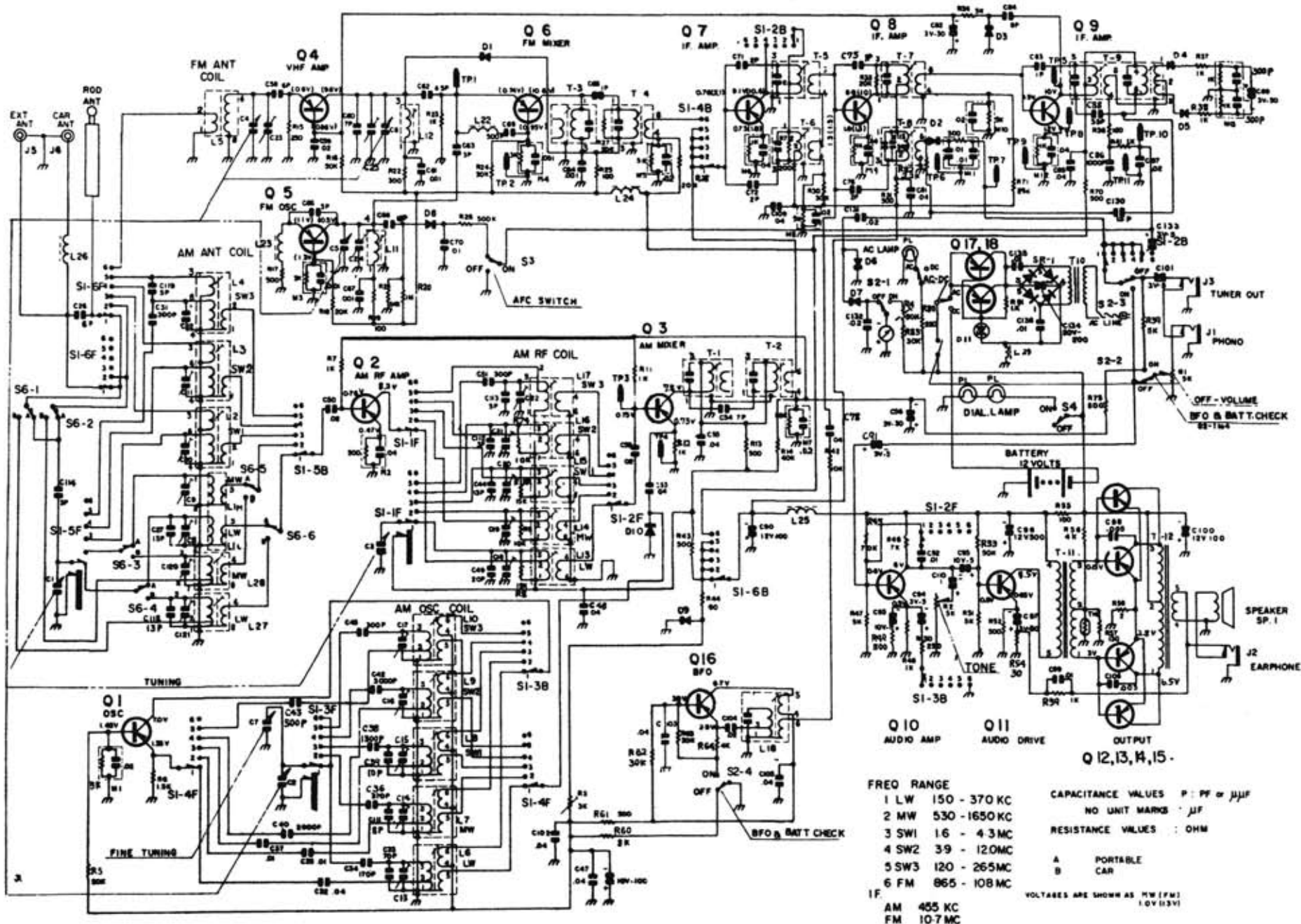


SHARP FV-1710



FREQ RANGE
 1 LW 150 - 370 KC
 2 MW 530 - 1650 KC
 3 SW1 16 - 4.3 MC
 4 SW2 39 - 12.0 MC
 5 SW3 120 - 265 MC
 6 FM 86.5 - 108 MC

CAPACITANCE VALUES P: PF or $\mu\mu\text{F}$
 NO UNIT MARKS: μF
 RESISTANCE VALUES: OHM

A PORTABLE
 B CAR

VOLTAGES ARE SHOWN AS MW (FM)
 1.0V (1.5V)