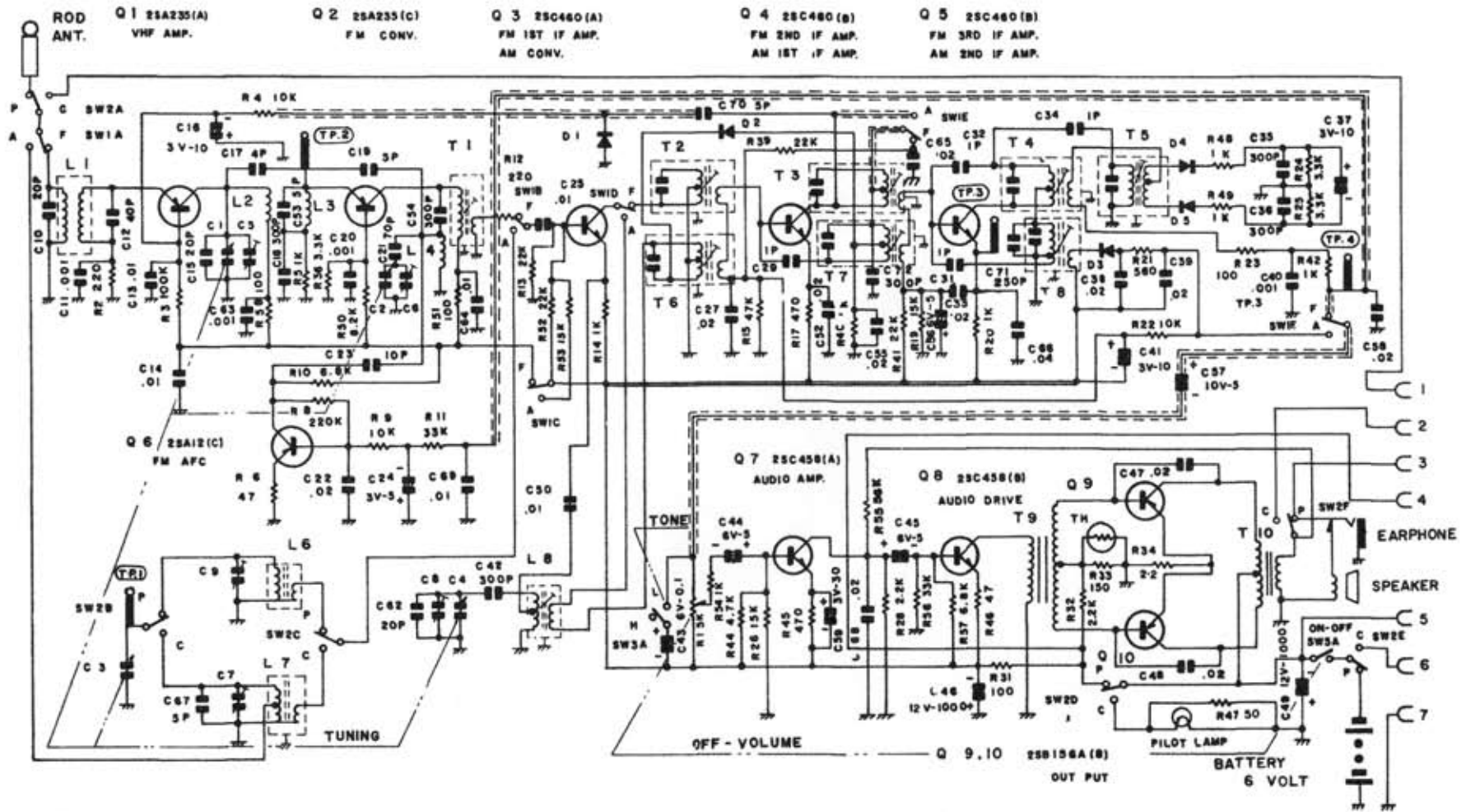


# SHARP FX-27B



**NOTE**

CAPACITANCE VALUES ARE IN MFD AND PF:MMFD. RESISTANCE VALUES ARE IN OHM.

P : PORTABLE RADIO USE  
 C : CAR RADIO USE  
 A : AM BAND  
 F : FM BAND

SWITCH DESIGNATION SYMBOLS

MARKS : CAR BRACKET CONNECTOR

**TUNING RANGE**

(A) AM 530-1605 KC  
 (F) FM 87-108 MC  
 IF 10.7 MC(FM) 455 KC(MW)

**TRANSISTOR VOLTAGE (FM/AM)**

Q NO	E <sub>c</sub> (V)	E <sub>b</sub> (V)	E <sub>e</sub> (V)	Q NO	E <sub>c</sub> (V)	E <sub>b</sub> (V)	E <sub>e</sub> (V)
1	4.5	0.6	0.5	7	1.6	3.8	4.4
2	4.5	1.3	1.0	8	0.7	3.8	4.5
3	0	2.8	3.2	9	6.0	0.15	—
4	1.2	3.2	3.8	10	6.0	0.15	—
	0.7	3.2	4.3				
5	0	2.2	2.4	11	6.0	0.15	—
	0	2.2	2.4				
6	2.5	0.14	0.01	12	6.0	0.15	—