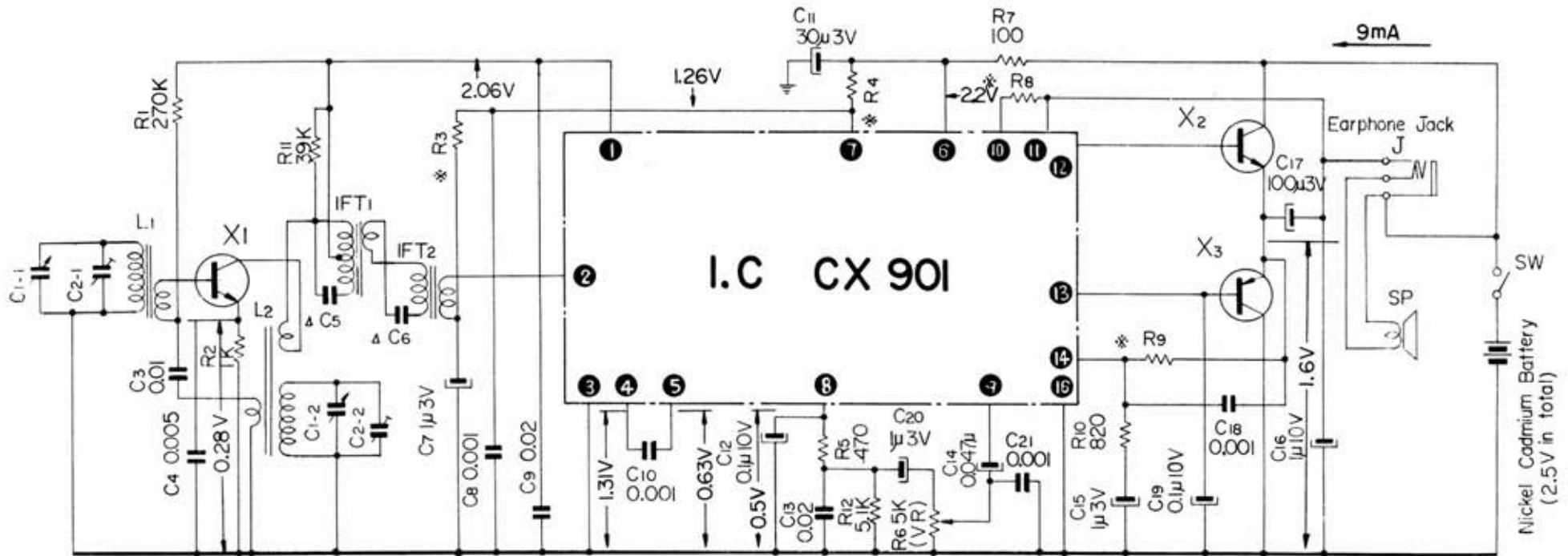


Sony ICR-100/BC-100

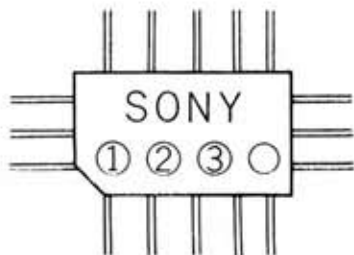


X1 2SC403 * To be Adjusted
 Δ Built in IFT

X2 2SD64 X3 2SB262

Color Code of IC

IC Mark	Resistor No.	Brown	Red	Orange	Yellow	Green	Blue	Purple	Gray	White	Black	Gold	Silver
①	R ₄ (kΩ)	6.2	6.8	7.5	8.2	9.1	10	11	12	13	15		
②	R ₈ (kΩ)	4.7	5.6	6.8	8.2	10	12	15	18	22	27	33	39
③	R ₉ (kΩ)	91	100	110	120	130	150	160	180	200	220	240	270



As for R₄, R₈ and R₉ of Adjustable Resistors, select the ones with the following values according to the respective color codes on the IC.

IC -Pin Side-

