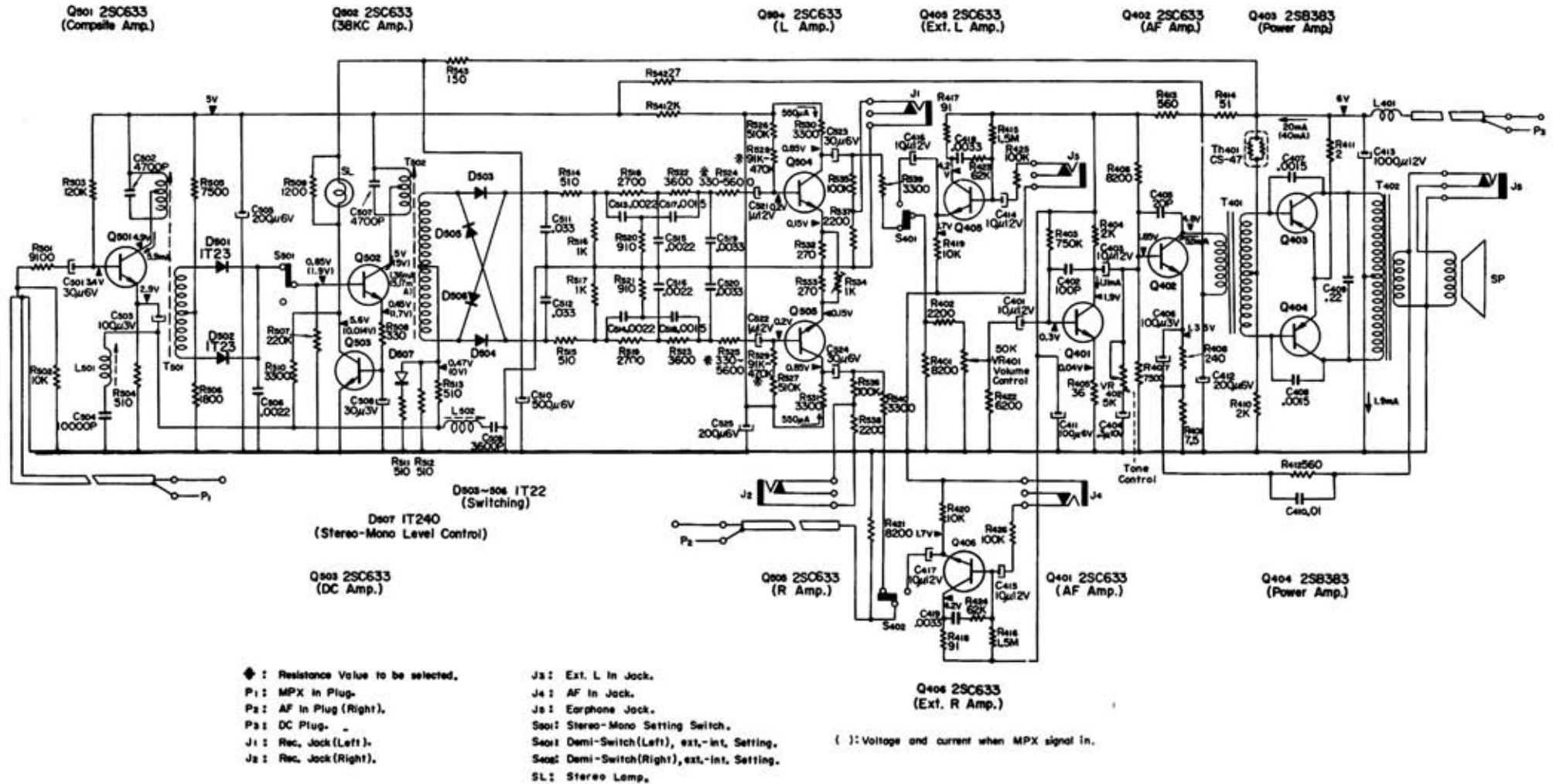


# SONY STA-48



**Service Guide**