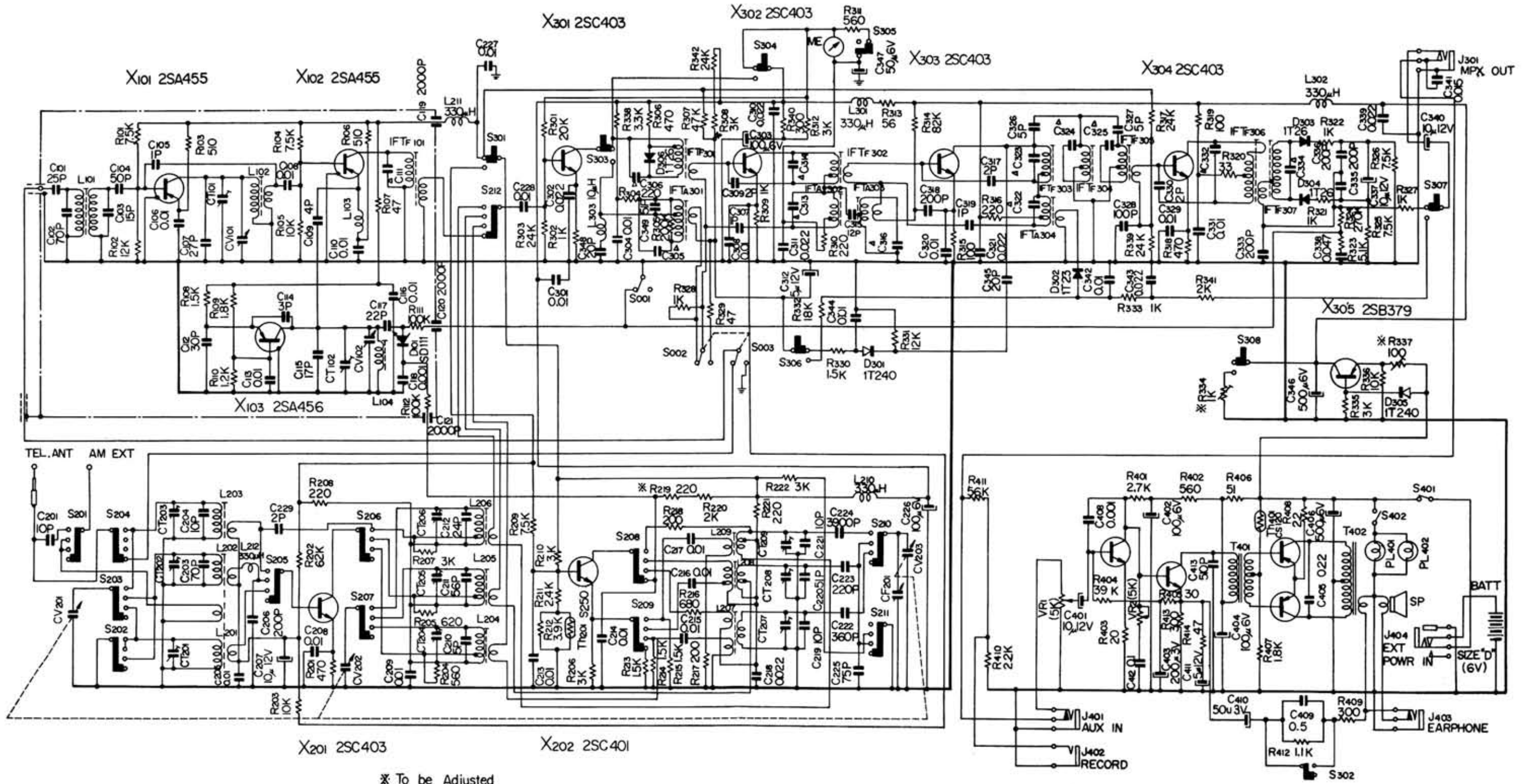


SONY MODEL TFM-1000L



* To be Adjusted
 Capacitors marked with "Δ" are built in relative IF Transformers

X401 2SC402 X402 2SC401 X403,404 2SB383x2